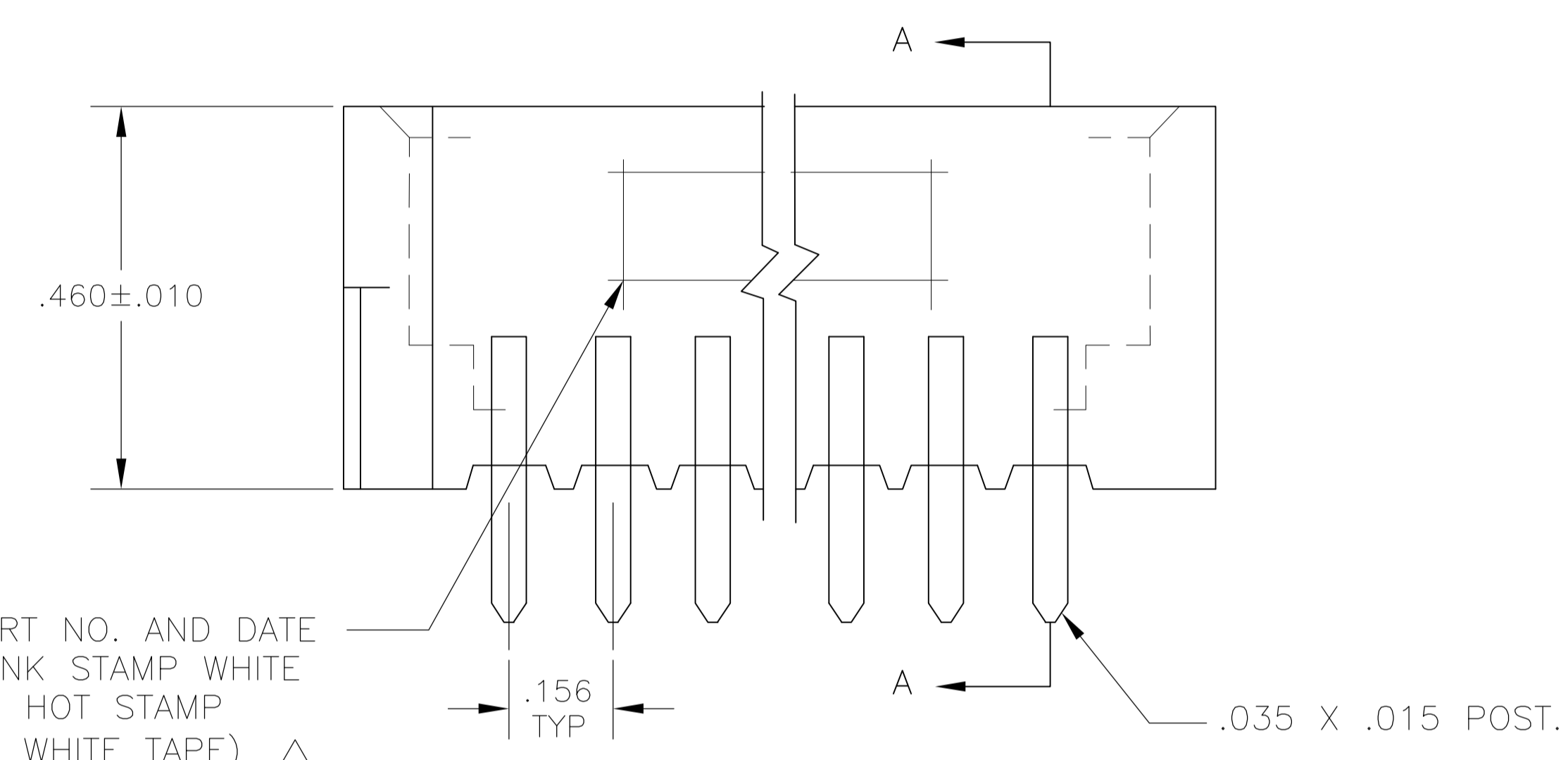
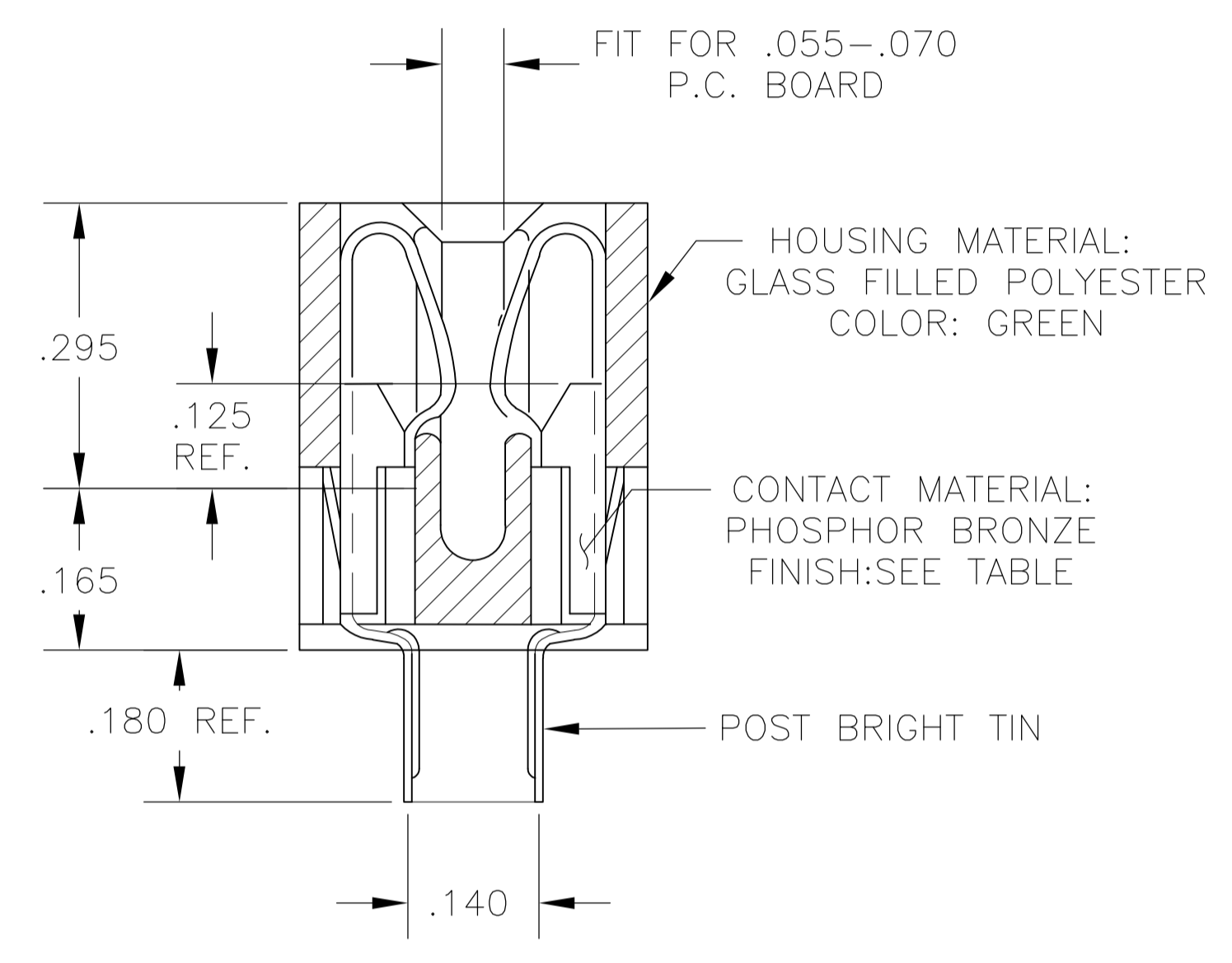


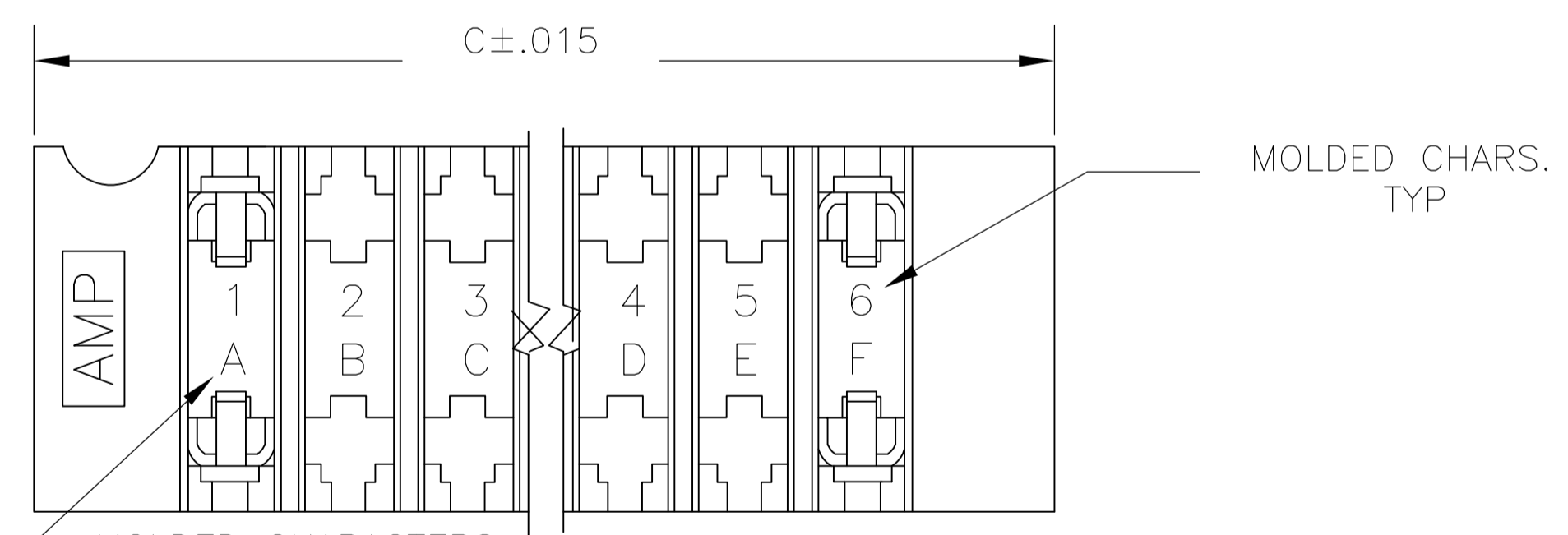
- 1 .000015 MIN. GOLD OVER .000050 MIN. NICKEL IN CONTACT AREA.
- 2 .000030 MIN. GOLD OVER .000050 MIN. NICKEL IN CONTACT AREA.
- 3 ALL PARTS ASSEMBLED IN MEXICO MUST BE STAMPED "ASSY IN MEXICO" THE WORD "MEXICO" CAN BE SUBSTITUTED ONLY WHERE PART SIZE PROHIBITS STAMPING "ASSY IN MEXICO", INK STAMP WHITE OR HOT STAMP (NO WHITE TAPE) 115-9009, APPROX WHERE SHOWN, SIDE OPTIONAL.
- 4 MATTE TIN PLATED CONTACT TAILS.



AMP PART NO. AND DATE CODE INK STAMP WHITE OR HOT STAMP (NO WHITE TAPE) IN THIS AREA. (SIDE OPTIONAL)



SECTION A-A



MOLDED CHARACTERS (UPPER AND LOWER CASE LETTERS FOLLOW BY UPPER CASE LETTERS AA, AB, AC, ETC.) OMITTING LETTERS G, I, O & Q.

4	-	36	5.460	5.780	5.920	8-530669-0	.437
4	-	15	2.184	2.504	2.644	7-530669-4	.370
	1-530669-3	43	6.552	6.872	7.012	3-530669-3	.437
	1-530669-2	28	4.212	4.532	4.672	3-530669-2	.370
	1-530669-1	44	6.708	7.028	7.168	3-530669-1	.437
	1-530669-0	36	5.460	5.780	5.920	3-530669-0	.437
	530669-9	30	4.524	4.844	4.984	2-530669-9	.437
	530669-8	25	3.744	4.064	4.204	2-530669-8	.370
	530669-7	24	3.588	3.908	4.048	2-530669-7	.370
	530669-6	22	3.276	3.596	3.736	2-530669-6	.370
	530669-5	18	2.652	2.972	3.112	2-530669-5	.370
	530669-4	15	2.184	2.504	2.644	2-530669-4	.370
	530669-3	12	1.716	2.036	2.176	2-530669-3	.370
	530669-2	10	1.404	1.724	1.864	2-530669-2	.370
	530669-1	6	.780	1.100	1.240	2-530669-1	.370

OBSOLETE

1	PART NO	NO.OF. POSITION	A	B	C	2	PART NO	W
---	---------	-----------------	---	---	---	---	---------	---

THIS DRAWING IS A CONTROLLED DOCUMENT.

DIMENSIONS: INCHES	TOLERANCES UNLESS OTHERWISE SPECIFIED:	DWN	11JUL75	Tyco Electronics Corporation Harrisburg, Pa 17105-3608	
0 PLC ± .005	1 PLC ± .005	CHK	11JUL75		
2 PLC ± .005	2 PLC ± .005	APVD	16JUL75	NAME	
3 PLC ± .005	3 PLC ± .005	PRODUCT SPEC			
4 PLC ± .005	4 PLC ± .005	APPLICATION SPEC			
ANGLES		SIZE	CAGE CODE	DRAWING NO	RESTRICTED TO
		WEIGHT	A1	00779	530669
MATERIAL	FINISH	CUSTOMER DRAWING			

SCALE 5:1 SHEET 1 OF 1 REV R