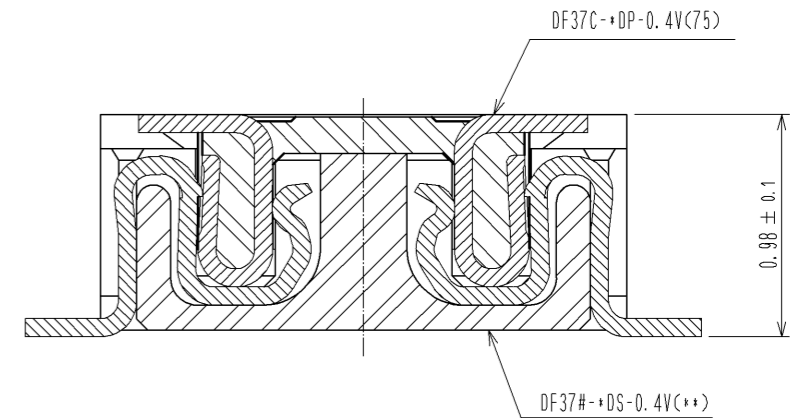


ENGAGEMENT FIGURE (FREE SIZE)



PART No.	CODE No.	B	C	D
DF37C-10DP-0.4V(75)	CL684-3039-5-75	3.14	1.6	0.8
DF37C-16DP-0.4V(75)	CL684-3058-0-75	4.34	2.8	1.2
DF37C-20DP-0.4V(75)	CL684-3024-8-75	5.14	3.6	1.6
DF37C-24DP-0.4V(75)	CL684-3025-0-75	5.94	4.4	2.0
DF37C-30DP-0.4V(75)	CL684-3026-3-75	7.14	5.6	2.0
DF37C-34DP-0.4V(75)	CL684-3085-2-75	7.94	6.4	2.4
DF37C-40DP-0.4V(75)	CL684-3027-6-75	9.14	7.6	2.4
DF37C-44DP-0.4V(75)	CL684-3089-3-75	9.94	8.4	2.8
DF37C-50DP-0.4V(75)	CL684-3028-9-75	11.14	9.6	2.8
DF37C-60DP-0.4V(75)	CL684-3029-1-75	13.14	11.6	3.2

NOTE 1. ALL LEADS CO-PLANARITY SHALL BE 0.1 mm MAX.

2 A PART OF THE WALL COULD BE NOTCHED.

3 CONTACT PLATING SPECIFICATIONS.

CONTACT AREA : GOLD 0.1 μm MIN

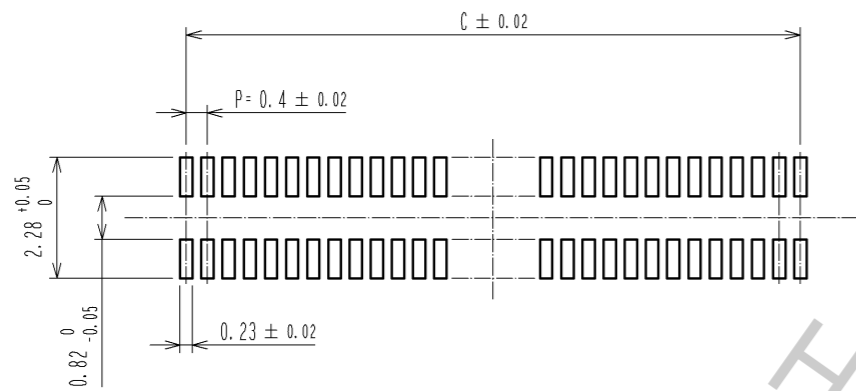
SMT LEAD : GOLD 0.05 μm MIN

UNDER PLATING : NICKEL 1 μm MIN

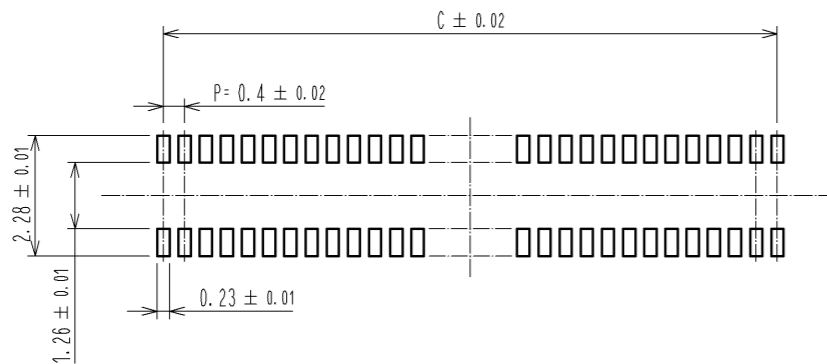
(SURFACE : SEALING)

2	PHOSPHOR BRONZE	3	5	PS	BLACK, PLASTIC REEL
1	LCP	BLACK, UL94V-0	4	POLYESTER	CLEAR, COVER TAPE
NO.	MATERIAL	FINISH, REMARKS	NO.	MATERIAL	FINISH, REMARKS
UNITS mm		SCALE FREE	COUNT 3	DESCRIPTION OF REVISIONS DIS-H-005494	DESIGNED KR. AJITO
HIROSE ELECTRIC CO., LTD.		APPROVED : KH. IKEDA 10.08.04	DRAWING NO. EDC3-314974-06		
		CHECKED : TS. MIYAZAKI 10.08.04	PART NO. DF37C- *DP-0.4V(75)		
		DESIGNED : TR. YUNOKI 10.08.04	CODE NO.		
		DRAWN : YN. SAKAMOTO 10.07.28	DATE 11.02.04		

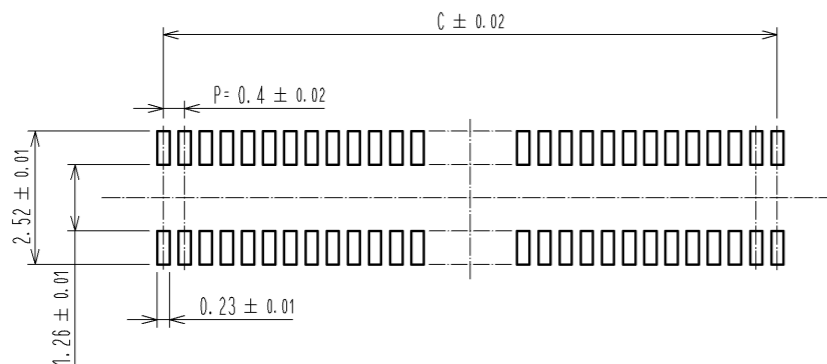
◆ RECOMMENDED PCB LAYOUT (MOUNTING SURFACE SIDE)



◆ RECOMMENDED METAL MASK DIMENSIONS
METAL MASK THICKNESS : 0.12mm

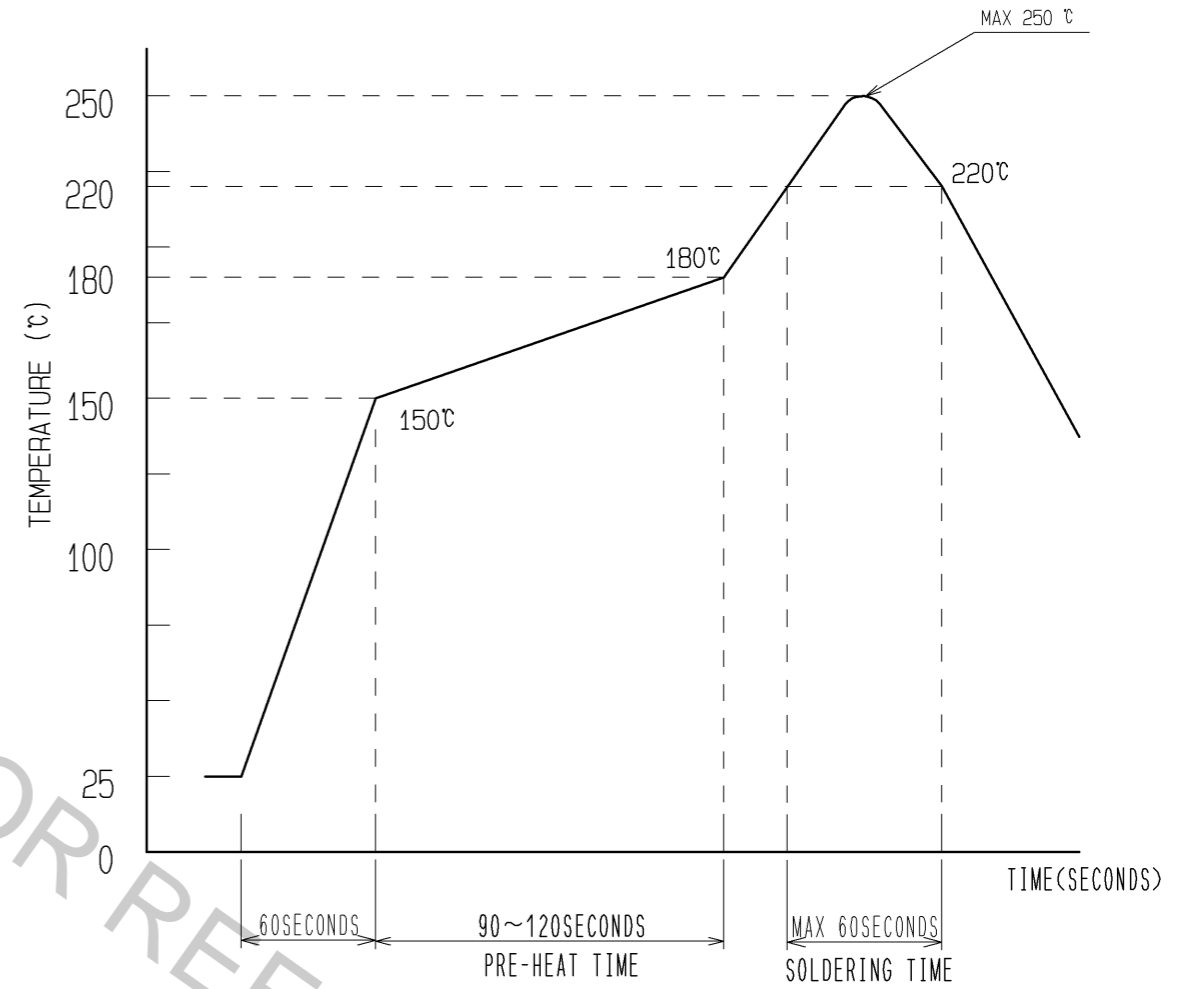


◆ RECOMMENDED METAL MASK DIMENSIONS
METAL MASK THICKNESS : 0.1mm



PART No.	C
DF37C-10DP-0.4V(75)	1.6
DF37C-16DP-0.4V(75)	2.8
DF37C-20DP-0.4V(75)	3.6
DF37C-24DP-0.4V(75)	4.4
DF37C-30DP-0.4V(75)	5.6
DF37C-34DP-0.4V(75)	6.4
DF37C-40DP-0.4V(75)	7.6
DF37C-44DP-0.4V(75)	8.4
DF37C-50DP-0.4V(75)	9.6
DF37C-60DP-0.4V(75)	11.6

4 RECOMMENDED REFLOW TEMPERATURE PROFILE USING LEAD-FREE SOLDER PASTE.

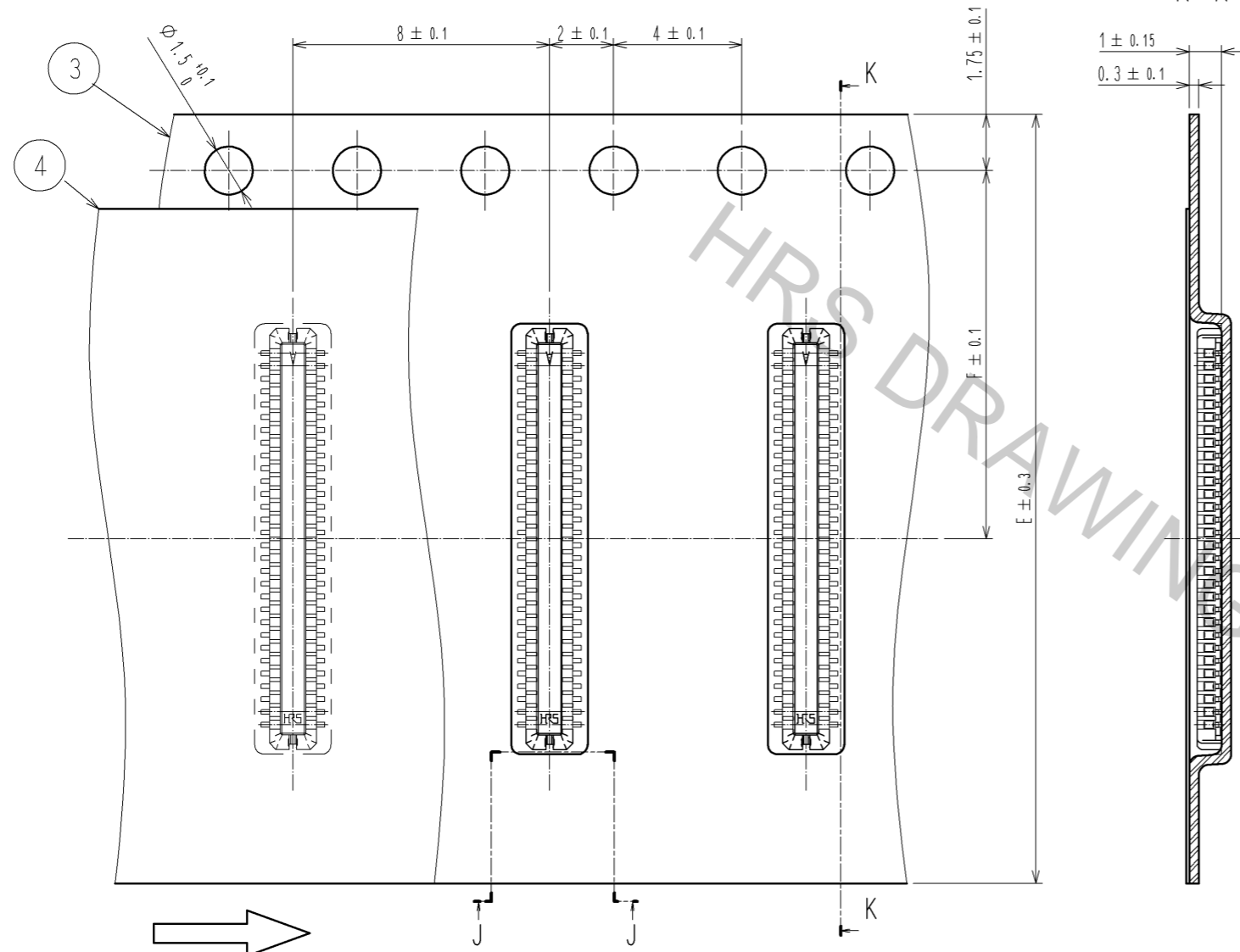


- REFLOW TIME
REFLOW METHOD: IR REFLOW
NUMBER OF REFLOW CYCLES: 2 CYCLES MAX.
DURATION ABOVE 220 °C, 60 SEC. MAX.
(PEAK TEMPERATURE: 250°C MAX.)
- PRE-HEAT TIME
PRE-HEAT TEMPERATURE(MIN) : 150 °C
PRE-HEAT TEMPERATURE(MAX) : 180 °C
PRE-HEAT TIME : 90~120 sec.

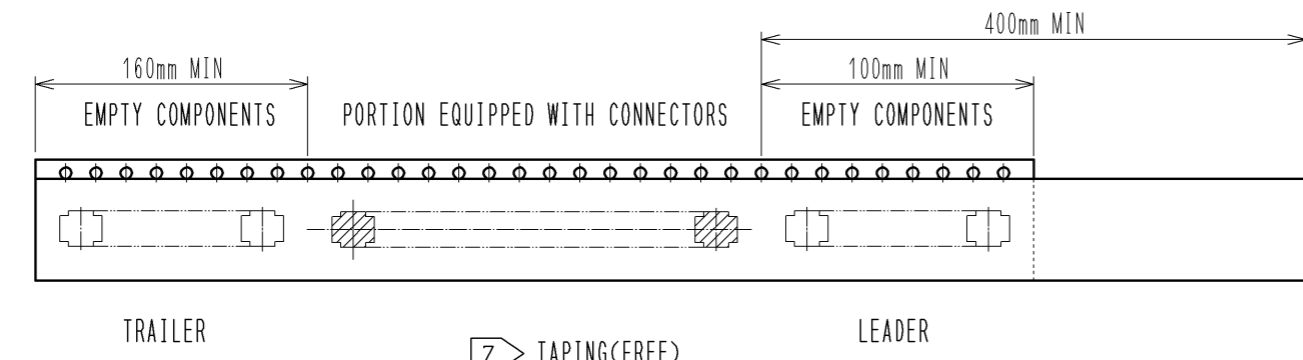
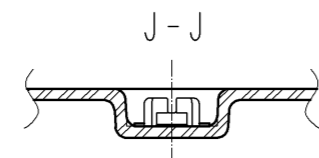
4 THIS TEMPERATURE PROFILE IS PER THE CONDITIONS SHOWN ABOVE. ADDITIONAL FACTORS, SUCH AS SOLDER PASTE TYPE, PCB SIZE AND OTHER MOUNTED COMPONENTS COULD AFFECT THE PROFILE. THEREFORE, A THOROUGH EVALUATION OF MOUNTING CONDITION IS REQUIRED PRIOR TO PRODUCTION. TEMPERATURE IS MEASURED AT CONTACT LEAD.

HRS	DRAWING NO.	EDC3-314974-06
	PART NO.	DF37C-*DP-0.4V(75)
	CODE NO.	

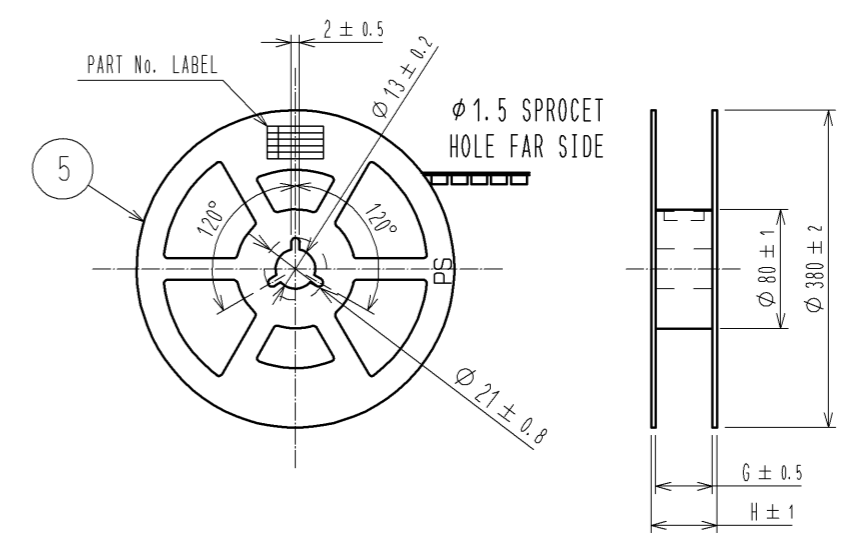
EMBOSED CARRIER TAPE PACKAGING (5:1)



➔
DIRECTION OF UNREELING



STYLE AND DIMENSION OF REEL (FREE SIZE)



8 DETEIL OF PART No. LABEL

SUPPLIER	
QUANTITY	
PART NO.	
CODE NO.	
DATE OF MANUFACTURED	
製造年月日	年 月 日
製品コード	** ** *
製品名	DF37C-+DP-0.4V(75)
数量	8000個
納入者	ヒロセ電機(株)

PART No.	E	F	G	H
DF37C-10DP-0.4V(75)	12	5.5	13.5	17.5
DF37C-16DP-0.4V(75)	16	7.5	17.5	21.5
DF37C-20DP-0.4V(75)	16	7.5	17.5	21.5
DF37C-24DP-0.4V(75)	16	7.5	17.5	21.5
DF37C-30DP-0.4V(75)	16	7.5	17.5	21.5
DF37C-34DP-0.4V(75)	16	7.5	17.5	21.5
DF37C-40DP-0.4V(75)	24	11.5	25.5	29.5
△ DF37C-44DP-0.4V(75)	24	11.5	25.5	29.5
DF37C-50DP-0.4V(75)	24	11.5	25.5	29.5
DF37C-60DP-0.4V(75)	24	11.5	25.5	29.5

- NOTES
- PER REEL 8000 CONNECTORS.
 - THE DIMENSIONS IN PARENTHESES ARE FOR REFERENCE.
 - REFER TO JIS C 0806(PACKING OF COMPONENTS FOR AUTOMATIC HANDLING)
 - DETAIL OF PART No. LABEL IS WRITTEN IN JAPANESE.

HRS	DRAWING NO.	EDC3-314974-06
	PART NO.	DF37C-+DP-0.4V(75)
	CODE NO.	

Apr.1.2017 Copyright 2017 HIROSE ELECTRIC CO., LTD. All Rights Reserved.