

SUMMARY

Wires

Low	4
High	0
Coax	0
Triax	0
Quad	0
Fiber	0
Fluidic	0



Image is for illustrative purpose only

Download

[Request a quote](#)

[Catalog](#)

Series	2W
Termination type	Male solder
IP rating	68
Cable Ø	5.60 - 6.00 mm
Matching parts	EVG.2W.304.CLL
Status	
Alternative part	

TECHNICAL DETAILS

Mechanics

Shell Style/Model	FV_/Z*: Straight plug, cable collet and nut for fitting a bend relief
Keying	
Housing Material	Brass (chrome plated) shell and collet nut, nickel plated brass latch sleeve and mid pieces
Cable Fixing	C60: 5.6 - 6 mm
Variant	Z : Nut for fitting a bend relief

Performance

Configuration	
Insulator	
Rated Current	15 Amps

Specifications

Contact Type:	Solder
Max. Matings:	5000
Contact Dia.:	1.3 mm (0.051in)
Bucket Dia.:	1 mm (0.039in)
Max. Solid Conductor:	0.5 mm ² (AWG 20)
Max. Stranded Conductor:	0.5 mm ² (AWG 20)

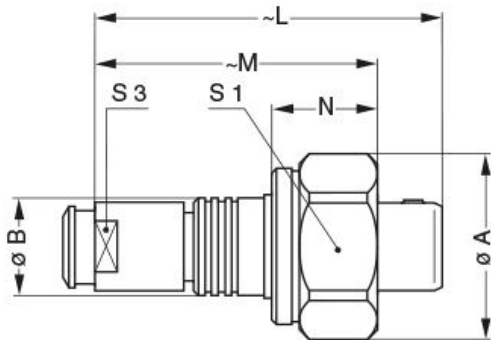
R (max): 3.6 mOhm
 Vtest (contact-contact): 1850 V (AC) 2600 V (DC)
 Vtest (contact-shell): 1850 V (AC) 2600 V (DC)

Others

Pressure: 30 bars
 IP Rating: 68

DRAWINGS

Draws



Dimensions

	A	B	L	M	N	S1	S3
mm.	23.5	14	52.5	43	15.5	22	12
in.	0,93	0,55	2,07	1,69	0,61	0,87	0,47

RECOMMENDED BY LEMO

Tools

None

Cables

104 200	PVC	Black	
---------	-----	-------	---