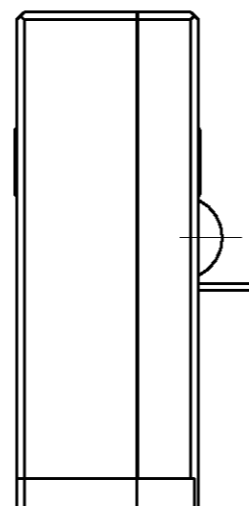
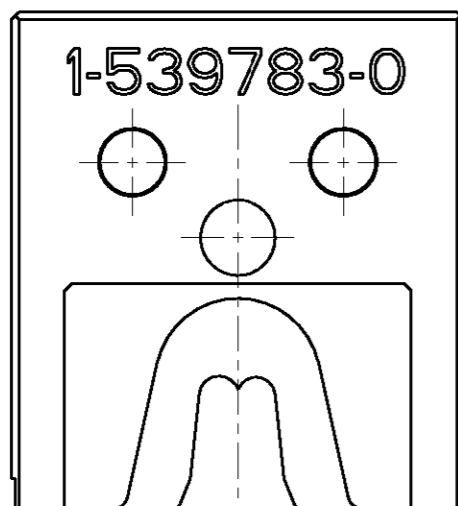


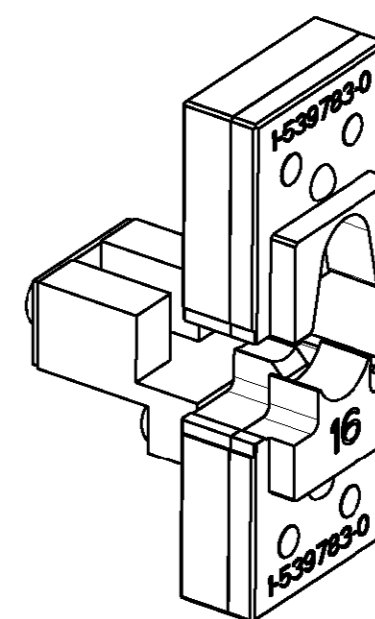
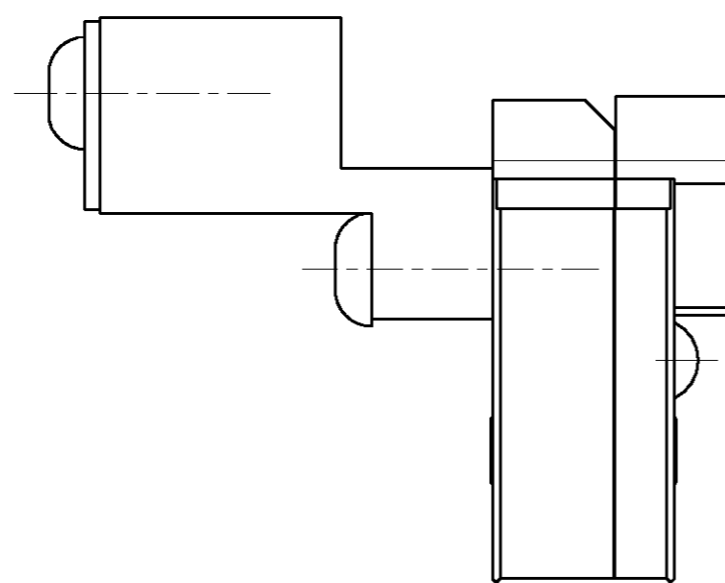
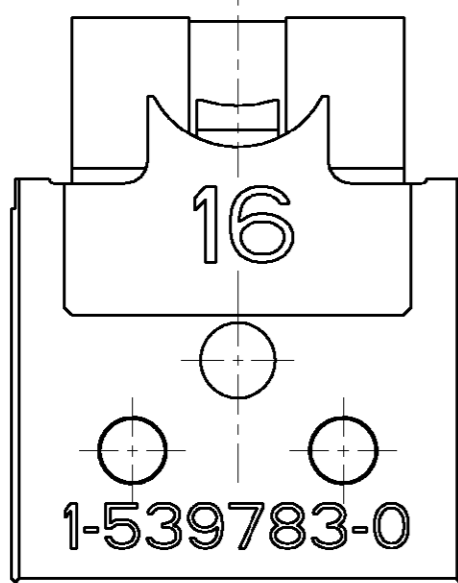
THIS DRAWING IS UNPUBLISHED. RELEASED FOR PUBLICATION 2005
 © COPYRIGHT 2005 BY TYCO ELECTRONICS CORPORATION. ALL RIGHTS RESERVED.

LOC	DIST	REVISIONS			
P	LTR	DESCRIPTION	DATE	DWN	APVD
A1	-				



DIE SET FOR MCP 9.5 mm

Use this die set with hydraulic hand tool PN 539783-1



1:1

Kontakt	AWG (mm ²)	Drahtcrimp / Wire Crimp		Isolationscrimp/Insulationcrimp		Isol.Ømm	Betriebsanl.
Contact	Wire Range	Hoehe/Height mm	Breite/Width mm	Hoehe/Height mm	Breite/Width mm	Ins.Range	Instr.Sheet
929153	16	4.38 ±0.05	6.35 F	11.94	11.94 0	7.1-8.1	-----

Weight: 200 g

<small>THIS DRAWING IS A CONTROLLED DOCUMENT FOR TYCO ELECTRONICS CORPORATION IT IS SUBJECT TO CHANGE AND THE CONTROLLING ENGINEERING ORGANIZATION SHOULD BE CONTACTED FOR THE LATEST REVISION.</small>		DWN Ch.Witt	31JAN2006	tyco Electronics		tyco Electronics AMP GmbH D - 64625 Bensheim	
DIMENSIONS: mm 		TOLERANCES UNLESS OTHERWISE SPECIFIED: 0 PLC ± 1 PLC ± 2 PLC ± 3 PLC ± 4 PLC ± ANGLES ±1°		CHK -	APVD -	NAME DIE SET FOR MCP 9.5 / 16 mm ² SWS Matrizie fuer MCP 9.5 / 16 mm ² SWS	
MATERIAL -		FINISH -		PRODUCT SPEC -	APPLICATION SPEC -	SIZE A3	RESTRICTED TO -
CUSTOMER DRAWING				WEIGHT -	CAGE CODE 00779	DRAWING NO C=1-539783-0	SCALE 2:1
						SHEET 1	OF 1
						REV A	