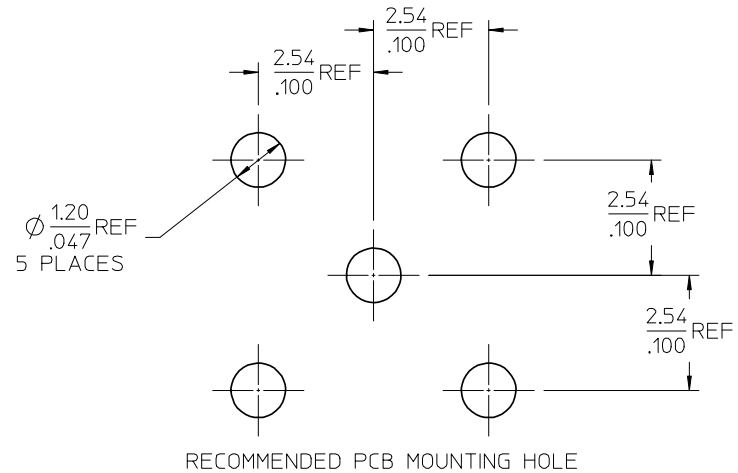
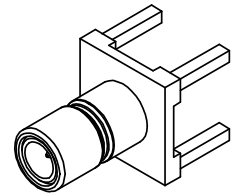
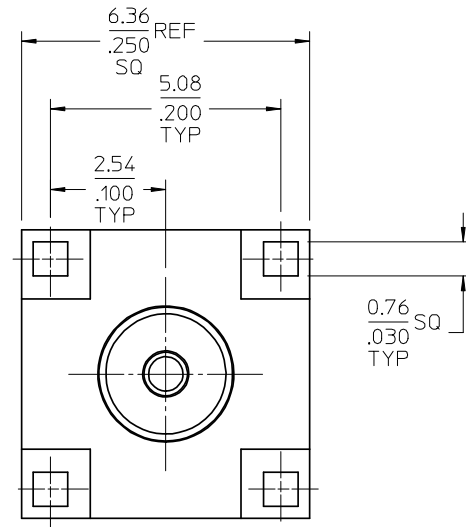
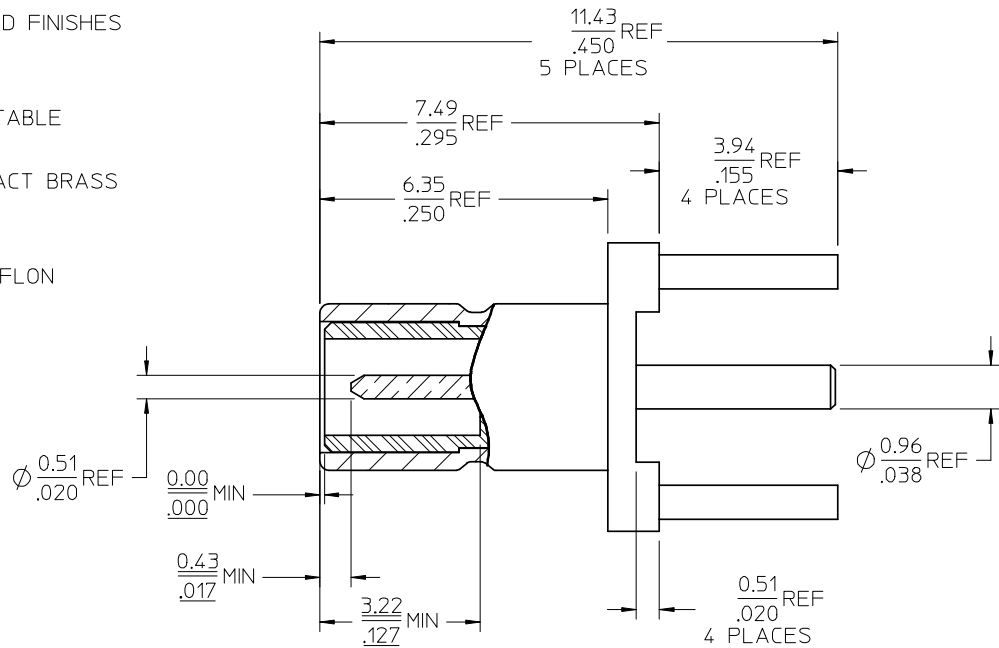


MATERIALS AND FINISHES

BODY BRASS
PLATED SEE TABLE

CENTER CONTACT BRASS
PLATED GOLD

INSULATOR TEFLON



73396-0591	TRAY/NICKEL
73396-0590	SMALL TRAY PACKING/GOLD
73404-2300	73100-0207, ONE PER BAG/GOLD
73100-0207	TRAY/GOLD
PART NO.	PACKAGING/FINISH

PS-73598-0099	INTERFACE
SPECIFICATION	DESCRIPTION

CHG ADDED TABULATION FOR -0591. EC NO: URF2008-0621 DRAWN:ROBERTSON 2008/06/02 CHKD:SSS 2008/06/02 APPR:JWENER 2008/06/02 REV: B3	QUALITY SYMBOLS ▽=0 ▽=0
	DESCRIPTION

GENERAL TOLERANCES (UNLESS SPECIFIED) mm INCH 4 PLACES ± --- ± --- 3 PLACES ± --- ± --- 2 PLACES ± --- ± --- 1 PLACE ± --- ± --- ANGULAR ± ---° DRAFT WHERE APPLICABLE MUST REMAIN WITHIN DIMENSIONS

DIMENSION STYLE MM/IN DRAWN BY IRIS WANG DATE 1995/11/03 CHECKED BY DATE APPROVED BY DATE MATERIAL NO. SEE TABLE SIZE C THIS DRAWING CONTAINS INFORMATION THAT IS PROPRIETARY TO MOLEX INCORPORATED AND SHOULD NOT BE USED WITHOUT WRITTEN PERMISSION

SCALE DESIGN UNITS METRIC THIRD ANGLE PROJECTION TITLE SMB JACK, VERTICAL PCB 50 OHMS SMB-JR/PCB MOLEX MOLEX INCORPORATED DOCUMENT NO. SD-73100-0207 SHEET NO. 1 OF 1
