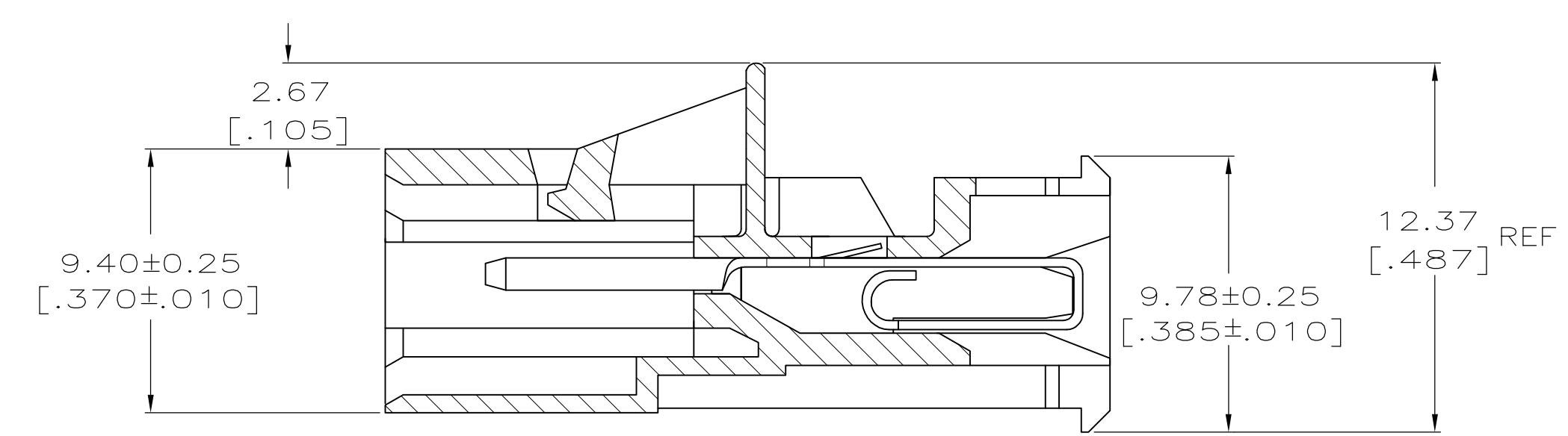
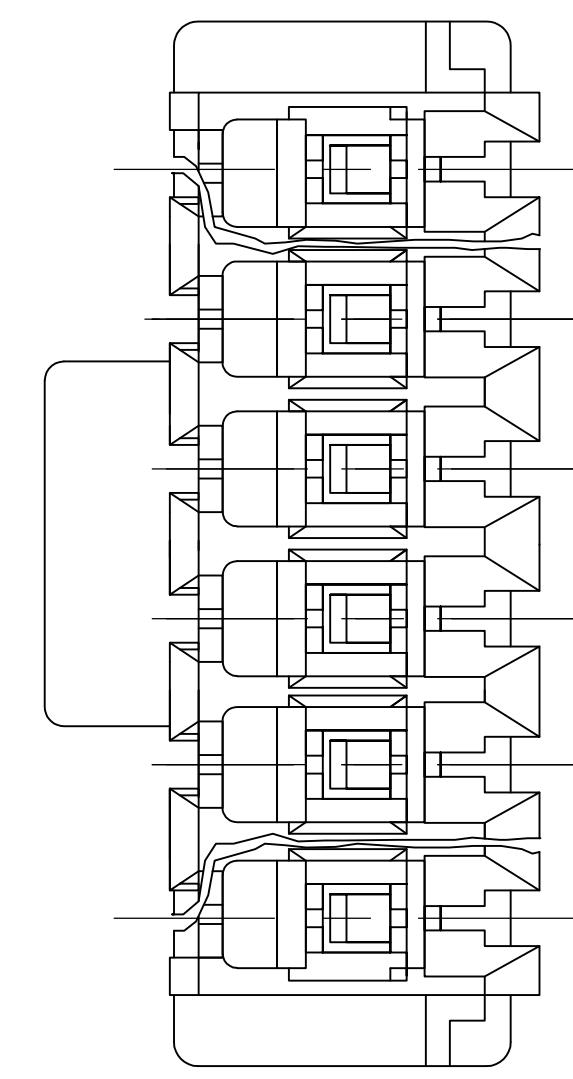
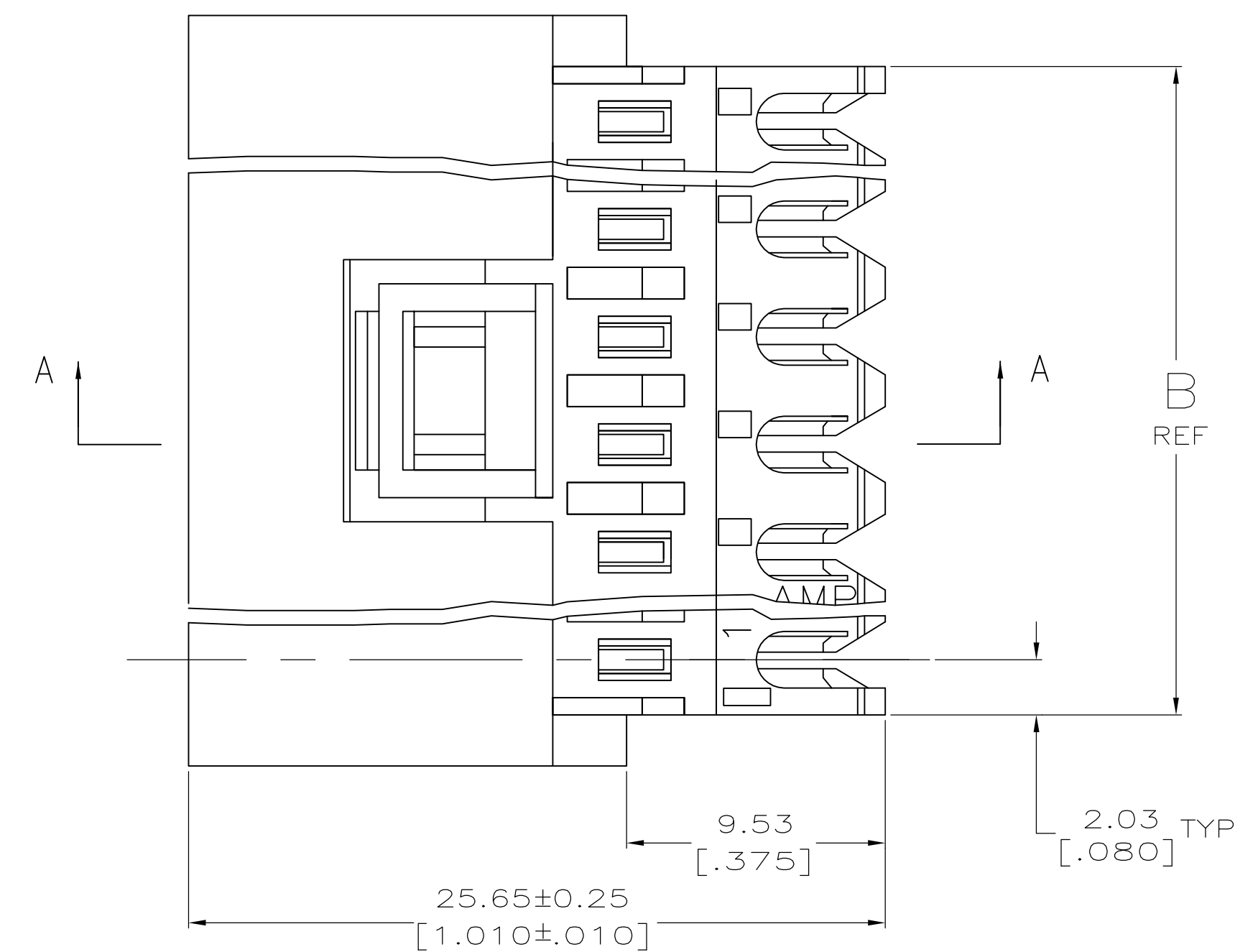
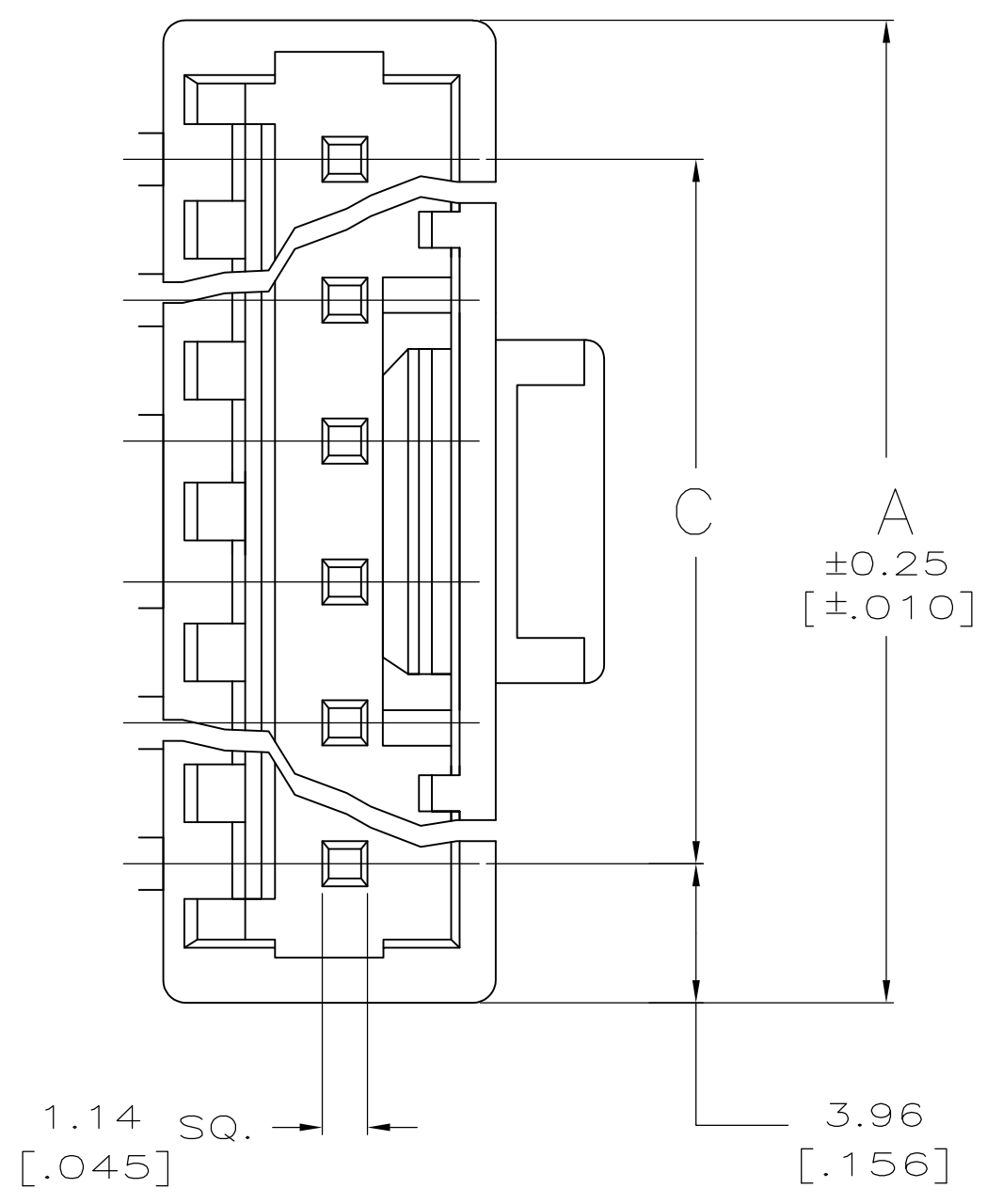


LOC		DIST		REVISIONS			
F	LTR	DESCRIPTION	DATE	DN	APVD		
H		REVISED PER ECO-12-007612	03AUG12	KH	SM		

- MATERIAL: CONNECTOR- NYLON UL94V-2.
 CONTACTS- 0.30 [.012] THK COPPER ALLOY
 (BRIGHT TIN-LEAD 0.00203 [.000080] MIN THK).
 (MATTE TIN 0.00203 [.000080] MIN THK).
- CONTACTS ACCEPT #20 AWG SOLID, FUSED STRANDED OR STRANDED (7 STRANDS) WIRE WITH 2.41 [.095] MAX INSULATION DIA.
- BOW, IN ANY DIRECTION, NOT TO EXCEED 0.15 [.006] PER IN.
- HOUSING FEATURES: FEED-THRU.
- DIMENSIONS IN BRACKETS ARE IN INCHES.
- △ OBSOLETE PARTS: OBSOLETE CIS STREAMLINING PER D.RENAUD/D.SINISI
- YELLOW COLOR STRIPE ON HOUSING (NOT SHOWN) MAY RUN DOWN BETWEEN RIBS.



SECTION A-A

FINISH	C	B	A	NO. OF CIRCUITS	PART NUMBER	
TIN	91.14 [3.588]	95.20 [3.748]	99.06 [3.900]	24	5-641523-4	
	55.47 [2.184]	59.54 [2.344]	63.40 [2.496]	15	4-641523-5	
	43.59 [1.716]	47.65 [1.876]	51.51 [2.028]	12	4-641523-2	
	31.70 [1.248]	35.76 [1.408]	39.62 [1.560]	9	3-641523-9	
	19.81 [.780]	23.88 [.940]	27.74 [1.092]	6	3-641523-6	
	11.89 [.468]	15.95 [.628]	19.81 [.780]	4	3-641523-4	
	7.92 [.312]	11.99 [.472]	15.85 [.624]	3	3-641523-3	
	3.96 [.156]	8.03 [.316]	11.89 [.468]	2	3-641523-2	
	TIN-LEAD	91.14 [3.588]	95.20 [3.748]	99.06 [3.900]	24	2-641523-4
		55.47 [2.184]	59.54 [2.344]	63.40 [2.496]	15	1-641523-5
43.59 [1.716]		47.65 [1.876]	51.51 [2.028]	12	1-641523-2	
31.70 [1.248]		35.76 [1.408]	39.62 [1.560]	9	1-641523-9	
19.81 [.780]		23.88 [.940]	27.74 [1.092]	6	1-641523-6	
11.89 [.468]		15.95 [.628]	19.81 [.780]	4	1-641523-4	
7.92 [.312]		11.99 [.472]	15.85 [.624]	3	1-641523-3	
3.96 [.156]		8.03 [.316]	11.89 [.468]	2	1-641523-2	
SUPERCEDED		91.14 [3.588]	95.20 [3.748]	99.06 [3.900]	24	4-641523-4
		55.47 [2.184]	59.54 [2.344]	63.40 [2.496]	15	4-641523-5
SUPERCEDED	43.59 [1.716]	47.65 [1.876]	51.51 [2.028]	12	4-641523-2	
	31.70 [1.248]	35.76 [1.408]	39.62 [1.560]	9	4-641523-9	
SUPERCEDED	19.81 [.780]	23.88 [.940]	27.74 [1.092]	6	4-641523-6	
	11.89 [.468]	15.95 [.628]	19.81 [.780]	4	4-641523-4	
SUPERCEDED	7.92 [.312]	11.99 [.472]	15.85 [.624]	3	4-641523-3	
	3.96 [.156]	8.03 [.316]	11.89 [.468]	2	4-641523-2	

THIS DRAWING IS A CONTROLLED DOCUMENT.

DIMENSIONS: mm [INCHES]	TOLERANCES UNLESS OTHERWISE SPECIFIED:	DIN K. SALMON 10-22-91	CHK R. SWING 10-22-91	APVD	NAME
0 PLC ± -	1 PLC ± -	PRODUCT SPEC			
2 PLC ± 0.13 [.005]	3 PLC ± -	APPLICATION SPEC			
4 PLC ± -	ANGLES ± -	SIZE	CAGE CODE	DRAWING NO	RESTRICTED TO
MATERIAL SEE NOTE 1	FINISH SEE NOTE 1	WEIGHT	A1	00779	641523
CUSTOMER DRAWING		SCALE	5:1	SHEET	1 OF 1

STE TE Connectivity
 MTA-156
 POSTED CONNECTOR ASSEMBLY,
 20 AWG