

STDP4320 DisplayPort 1.2a splitter

Datasheet

Rev A



MegaChips' Proprietary Information

MegaChips reserves the right to make any change herein at any time without prior notice. MegaChips does not assume any responsibility or liability arising out of application or use of any product or service described herein except as explicitly agreed upon.

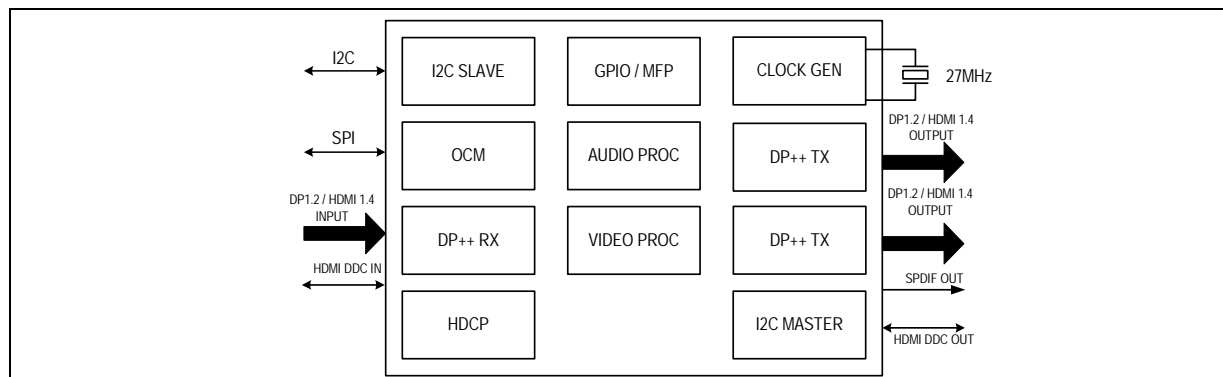
Features

- DisplayPort® dual mode receiver
 - DP 1.2a compliant
 - Link rate HBR2/HBR/RBR
 - SST or MST (up to eight streams)
 - 1, 2, or 4 lanes
 - AUX CH 1 Mbps
 - HPD out
 - HDMI/DVI operation (3.2 Gbps link rate)
 - Functions as eDP and MyDP receiver
- DisplayPort dual mode transmitters
 - Two transmitter ports
 - DP 1.2a compliant
 - Link rate HBR2/HBR/RBR
 - SST or MST (up to eight streams)
 - 1, 2, or 4 lanes
 - AUX CH 1 Mbps
 - HPD in
 - HDMI/DVI operation (3.2 Gbps link rate) with external level translator
 - Functions as eDP transmitter
- SPDIF audio output
 - Two SPDIF port pins
 - 192 kHz/24 bits
 - Compressed/LPCM
- Conversion from DP SST to TMDS format and vice versa

- HDCP repeater with embedded keys
- AUX to I2C bridge for EDID/MCCS pass through
 - Maps on DDC ports
- Device configuration options
 - SPI Flash
 - I2C host interface
- Deep color support
 - RGB/YCC (4:4:4) – 16-bit color
 - YCC (4:2:2) – 16-bit color
- Spread spectrum on DisplayPort interface for EMI reduction
- Bandwidth
 - Video resolution up to 4K2K @ 60 Hz
 - Audio 7.1 Ch up to 192 kHz sample rate
- Low power operation
 - Standby 30 mW
- Package
 - 172 LFBGA (12 x 12 mm)
- Power supply voltages
 - 3.3 V I/O; 1.2 V core

Applications

- Audio-video router for PC/notebooks, docking stations, hub, 4K2K TVs, daisy chain monitors, digital signage



Contents

1.	Description	7
2.	Application overview	9
3.	Feature attributes	10
3.1	Input interface	10
3.2	Output interface	11
3.3	Supported video timings	11
3.4	Supported audio timings	11
3.5	Control channel interfaces	11
3.6	HDCP 1.3 support	12
3.7	Package	12
3.8	Power supply voltages	12
3.9	ESD	12
4.	BGA footprint and pin lists	13
4.1	Ball grid array diagram	13
4.2	Full pin list sorted by pin number	14
5.	Connections	18
5.1	Pin list	18
5.2	Bootstrap configuration	23
6.	Package specifications	25
6.1	Package drawing	25
6.2	Package dimensions	26
6.3	Marking field template and descriptors	27
6.4	Classification reflow profile	27
7.	Electrical specifications	28
7.1	Preliminary DC characteristics: absolute maximum ratings	28
7.2	DC characteristics	28
7.3	AC characteristics	29

7.3.1	DisplayPort receiver	30
7.3.2	DisplayPort transmitter	31
7.3.3	HDMI receiver	33
7.3.4	HDMI transmitter	34
7.3.5	Crystal specification	34
7.3.6	I2C interface timing	34
7.3.7	SPI interface timing	35
8.	Ordering information	37
9.	Revision history	38

List of Tables

Table 1.	Pin list	14
Table 2.	DisplayPort receiver pins	18
Table 3.	System function pins.	19
Table 4.	Multi-function pins	19
Table 5.	Transmitter pins	21
Table 6.	System power and ground	22
Table 7.	Reserved pins	23
Table 8.	Bootstrap configuration	23
Table 9.	Field descriptors	27
Table 10.	Absolute maximum ratings	28
Table 11.	DC characteristics	28
Table 12.	Maximum speed of operation	29
Table 13.	DisplayPort receiver electrical parameters	30
Table 14.	DisplayPort transmitter electrical parameters	31
Table 15.	HDMI receiver DC characteristics	33
Table 16.	HDMI receiver AC characteristics	33
Table 17.	HDMI transmitter (DP++) DC characteristics	34
Table 18.	HDMI transmitter AC characteristics	34
Table 19.	Crystal specifications	34
Table 20.	I2C interface timing	34
Table 21.	SPI interface timing, VDD = 3.3 V	35
Table 22.	Order codes	37
Table 23.	Document revision history	38

List of Figures

Figure 1.	STDP4320 in video hub application	9
Figure 2.	STDP4320 in 4K2K TV application	9
Figure 3.	STDP4320 BGA diagram	13
Figure 4.	Package drawing	25
Figure 5.	Package dimensions.	26
Figure 6.	Marking template	27
Figure 7.	HDMI and DVI receiver AC characteristics	33
Figure 8.	I2C timing	35
Figure 9.	SPI input timing.	36
Figure 10.	SPI output timing	36

1. Description

The STDP4320 is a high-speed DisplayPort dual mode splitter IC targeted for audio-video de-multiplexing and routing in applications such as notebooks, docking stations, video hub, 4K2K TVs, daisy chainable monitors, digital signage, etc. It consists of one dual mode input port and two dual mode output ports configurable as either DisplayPort or HDMI/DVI. STDP4320 is a VESA DP Standard Ver. 1.2a compliant device that supports advanced features such as MST, HBR2, 3D formats and GTC assist. Designs based on STDP4320 have the flexibility to offer either DP or HDMI/DVI connectors on its end product to interface with legacy and new generation video sources and sinks. In addition, STDP4320-based products with a DisplayPort output connector are DP++ compliant and work with any HDMI or single link DVI sink through a passive level translator (dongle).

The STDP4320 uses MegaChips' latest generation DisplayPort dual mode receiver and transmitter technology that supports both DisplayPort and TMDS signal formats. This device receives MST format up to eight audio-video streams, which can be further routed on either of the two outputs in any combination of eight streams depending on the capability of downstream sinks. This device can also replicate the incoming video streams on both output ports simultaneously, thus allowing cloning on two downstream sinks. For example, a 4K2K 60 Hz video input is replicated on two output ports simultaneously. The DisplayPort receiver and transmitters support HBR2 speed, a data rate of 5.4 Gbps per lane with a total bandwidth of 21.6 Gbps link rate. In HDMI mode, this device supports link rates up to 3.2 Gbps corresponding to a pixel rate of 300 MHz, adequate for supporting video resolution up to FHD 120 Hz with all 3D formats. The device is also capable of delivering deep color video up to 16-bits per color. The STDP4320 allows audio transport from the source to the desired audio rendering devices over the video output port or through an SPDIF port.

The STDP4320 supports RGB and YCbCr colorimetric formats with color depth of 16, 12, 10, and 8 bits. The STDP4320 features the HDCP 1.3 content protection scheme with embedded keys for secure transmission of protected audio-video content. It also operates as an HDCP repeater for the downstream sinks.

The DDC ports in the STDP4320 allow the upstream source to access EDID and transfer MCCS commands to downstream sinks when the physical ports are either HDMI or DVI type. If both the upstream source and downstream sinks are DP type, I2C transactions take place over the AUX CH. If one of them is a DP type and the other is either a HDMI or DVI type, STDP4320 converts the I2C over AUX message protocol to I2C commands and sends it on the DDC port.

The device has an on-chip microcontroller with SPI, UART, and I2C interface. The STDP4320 uses an external SPI Flash ROM for storing device configuration firmware. It has an I2C slave port for external host communication. Other system interface signals include general-purpose IO for source, sink communication, detection, monitoring, etc. When the downstream sink is disconnected, STDP4320 automatically turns off the inactive port for power saving purposes.

2. Application overview

Figure 1. STDP4320 in video hub application

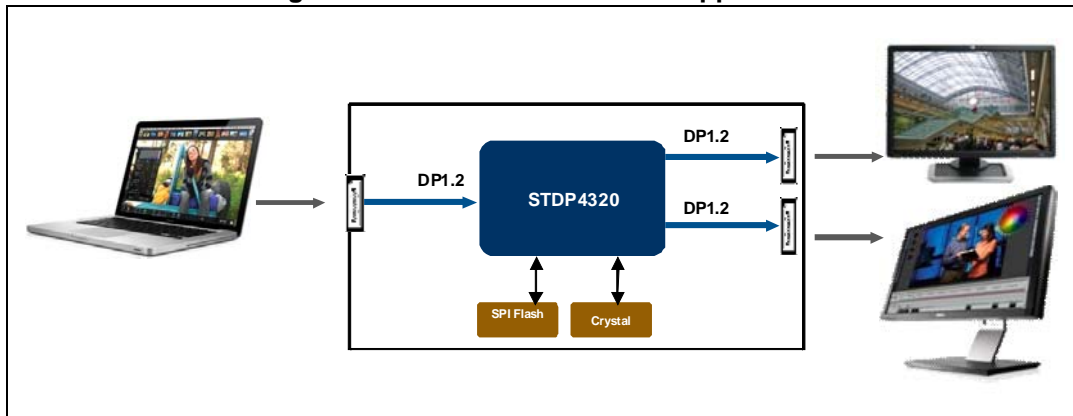
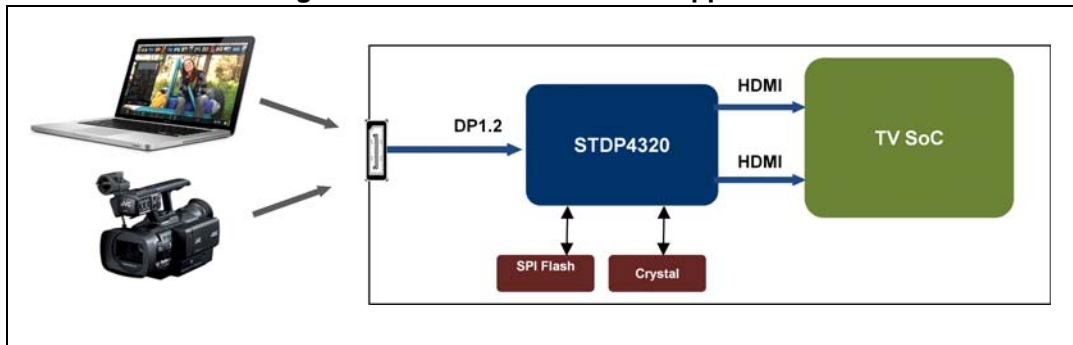


Figure 2. STDP4320 in 4K2K TV application



3. Feature attributes

3.1 Input interface

- Single DP++ interface featuring
 - DisplayPort Ver. 1.2a compliant receiver; supports eDP and MyDP
 - HDMI 1.4 compliant receiver
- Main link configuration
 - SST or MST (up to eight streams)
 - HBR2/HBR/RBR link rate
 - 1, 2, or 4 lanes
- AUX CH: 1 Mbps Manchester transaction format
- HPD: IRQ_HPD assertion
- Video: EDID 1.4 and CEA861 video timing and formats from 24 to 48 bits/pixel in RGB, YCC422, or YCC444 colorimetry
- Audio: DisplayPort 1.2a standard info frame packets and IEC60958/61937 type audio stream packets ranging from 16 to 24 bits/sample, 32 to 192 kHz sample rates
- HDMI link rate: 3.2 Gbps/data pair max

3.2 Output interface

- Two DP++ interfaces featuring
 - AC coupled DisplayPort Ver. 1.2a compliant transmitter: supports eDP
 - AC coupled HDMI 1.4 transmitter
- DP main link configuration
 - SST or MST (up to eight streams)
 - HBR2/HBR/RBR link rate
 - 1, 2, or 4 lanes
- AUX CH: Manchester transaction format
- HPD: IRQ_HPD assertion
- Video: EDID 1.4 and CEA861 video timing and formats from 24 to 48 bits/pixel in RGB, YCC422, or YCC444 colorimetry
- Audio: DisplayPort 1.2a standard info frame packets and IEC60958/61937 type audio stream packets ranging from 16 to 24 bits/sample, 32 to 192 kHz sample rates
- HDMI link rate: 3.2 Gbps/data pair max

3.3 Supported video timings

- 4K2K 60 Hz: 24 bits/pixel in DP 1.2a configuration
- 1920 x 1080 (FHD) 240 Hz, 24 bits/pixel
- All 3D formats defined in DP 1.2a and HDMI 1.4 standards
- All standard CEA861 timing formats

3.4 Supported audio timings

- All audio formats as specified in DP 1.2a and HDMI 1.4 standards
- SPDIF; 2-Ch LPCM, AC3, DTS, bit depth up to 24 bits, sample rate up to 192 kHz (applicable in DP SST/HDMI output use case)

3.5 Control channel interfaces

- AUX CH, DDC, I2C host interface, and UART (UART for test/debug purposes only)

3.6 HDCP 1.3 support

- Key sets for DP/HDMI RX and DP/HDMI TX integrated in one-time programmable ROM (OTP)
- Standalone HDCP repeater capability

3.7 Package

- 172 LFBGA (12 x 12 mm), 0.8 ball pitch

3.8 Power supply voltages

- 3.3 V I/O; 1.2 V core

3.9 ESD

- 2 KV HBM, 450 V CDM

4. BGA footprint and pin lists

4.1 Ball grid array diagram

The ball grid array (BGA) diagrams give the allocation of pins to the package, shown from the top looking down using the PCB footprint.

The STDP4320 is available in a 172-pin LFBGA package.

White = no ball at this location

n/c = no connect: ball present, but must not be connected

Figure 3. STDP4320 BGA diagram

	1	2	3	4	5	6	7	8	9	10	11	12	13	14	
A	VSS	RX0_LN2_N			RX0_LN0_P	RX0_AUX_P	RX0_AUX_N	n/c	n/c	n/c			n/c	VSS	A
B	RX0_LN3_P	RX0_LN2_P			RX0_LN0_N	VSS	VSS	VSS	VSS	n/c			n/c	n/c	B
C	RX0_LN3_N	AVDD33_RX	RX0_LN1_N	RX0_LN1_P	AVDD12_RX	AVDD12_RX	AVDD33_RX	AVDD33_RX	AVDD12_RX	AVDD12_RX	n/c	n/c	AVDD33_RX	n/c	C
D	TX1_HPD	TEST	VSS	VSS	VSS	RX0_REXT	VSS	VSS	n/c	VSS	VSS	VSS	HDMI_TX0_D DC_SCL	HDMI_TX0_D DC_SDA	D
E	n/c	SPDIF_OUT0	HDMI_CEC	TX0_HPD	DVDD12					DVDD12	HDMI_TX1_D DC_SDA	GPIO8	GPIO6	HDMI_TX1_D DC_SCL	E
F	MASTER1_IR Q_IN	GPO	SPDIF_OUT1	RX0_HPD	DVDD12	VSS	VSS	VSS	VSS	DVDD12	GPIO9	GPIO10	GPIO11	GPIO7	F
G	MASTER2_IR Q_IN	MASTER3_IR Q_IN	GPIO13	MASTER0_IR Q_IN	DVDD12	VSS	VSS	VSS	VSS	DVDD12	MASTER2_I2 C_SDA	MASTER2_I2 C_SCL	MASTER0_I2 C_SDA	MASTER0_I2 C_SCL	G
H	GPIO12	HOST_IRQ_O UT	SPI_CLK	UART_TX	DVDD12	VSS	VSS	VSS	VSS	DVDD12	HDMI_RX0_D DC_SCL	RESET_N	MASTER2_I2 C_SDA	MASTER1_I2 C_SCL	H
J	SPI_DI	UART_RX	SPI_CSN	GPIO2	DVDD33	VSS	VSS	VSS	VSS	DVDD33	n/c	HOST_I2C_S CL	MASTER3_I2 C_SCL	MASTER3_I2 C_SDA	J
K	TCLK_3V3_O UT	SPI_DO	GPIO0	GPIO1	DVDD25_SM					GPIO5	n/c	HDMI_RX0_D DC_SDA	AVDD12_PLL	HOST_I2C_S DA	K
L	TCLK_1V2_O UT	TX0_REXT	VSS	VSS	GPIO3	VSS	VSS	VSS	VSS	GPIO4	VSS	VSS	AVDD12_OS C1	AVDD33_RC OSC	L
M	TX0_AUX_N	AVDD12_TX0	TX0_LN2_N	TX0_LN2_P	AVDD12_TX0	AVDD12_OS C0	VSS	VSS	TX1_REXT	AVDD12_TX1	TX1_LN2_N	TX1_LN2_P	AVDD33_TX1	TX1_LN0_P	M
N	TX0_AUX_P	TX0_LN3_P			TX0_LN1_N	AVDD33_TX0	TCLK	XTAL	AVDD12_TX1	TX1_LN3_P			TX1_LN1_N	TX1_LN0_H	N
P	VSS	TX0_LN3_N			TX0_LN1_P	TX0_LN0_N	TX0_LN0_P	TX1_AUX_N	TX1_AUX_P	TX1_LN3_N			TX1_LN1_P	VSS	P
	1	2	3	4	5	6	7	8	9	10	11	12	13	14	

4.2 Full pin list sorted by pin number

Table 1. Pin list

Pin number	Net name
A1	VSS
A2	RX0_LN2_N
A5	RX0_LN0_P
A6	RX0_AUX_P
A7	RX0_AUX_N
A8, A9, A10, A13	n/c
A14	VSS
B1	RX0_LN3_P
B2	RX0_LN2_P
B5	RX0_LN0_N
B6, B7, B8, B9	VSS
B10, B13, B14	n/c
C1	RX0_LN3_N
C2	AVDD33_RX
C3	RX0_LN1_N
C4	RX0_LN1_P
C5, C6	AVDD12_RX
C7, C8	AVDD33_RX
C9, C10	AVDD12_RX
C11, C12	n/c
C13	AVDD33_RX
C14	n/c
D1	TX1_HPD
D2	TEST
D3, D4, D5	VSS
D6	RX0_REXT
D7, D8	VSS
D9	n/c
D10, D11, D12	VSS
D13	HDMI_TX0_DDC_SCL
D14	HDMI_TX0_DDC_SDA
E1	n/c
E2	SPDIF_OUT0

Table 1. Pin list (continued)

Pin number	Net name
E3	HDMI_CEC
E4	TX0_HPD
E5	DVDD12
E10	DVDD12
E11	HDMI_TX1_DDC_SDA
E12	GPIO8
E13	GPIO6
E14	HDMI_TX1_DDC_SCL
F1	MASTER1_IRQ_IN
F2	GPO
F3	SPDIF_OUT1
F4	RX0_HPD
F5	DVDD12
F6, F7, F8, F9	VSS
F10	DVDD12
F11	GPIO9
F12	GPIO10
F13	GPIO11
F14	GPIO7
G1	MASTER2_IRQ_IN
G2	MASTER3_IRQ_IN
G3	GPIO13/TX1_CONFIG2
G4	MASTER0_IRQ_IN
G5	DVDD12
G6, G7, G8, G9	VSS
G10	DVDD12
G11	MASTER2_I2C_SDA
G12	MASTER2_I2C_SCL
G13	MASTER0_I2C_SDA
G14	MASTER0_I2C_SCL
H1	GPIO12/TX1_CONFIG1
H2	HOST_IRQ_OUT
H3	SPI_CLK
H4	UART_TX
H5	DVDD12

Table 1. Pin list (continued)

Pin number	Net name
H6, H7, H8, H9	VSS
H10	DVDD12
H11	HDMI_RX0_DDC_SCL
H12	RESETn
H13	MASTER1_I2C_SDA
H14	MASTER1_I2C_SCL
J1	SPI_DI
J2	UART_RX
J3	SPI_CSN
J4	GPIO2
J5	DVDD33
J6, J7, J8, J9	VSS
J10	DVDD33
J11	n/c
J12	HOST_I2C_SCL
J13	MASTER3_I2C_SCL
J14	MASTER3_I2C_SDA
K1	TCLK_3V3_OUT
K2	SPI_DO
K3	GPIO0/TX0_CONFIG1
K4	GPIO1/TX0_CONFIG2
K5	DVDD25_SM
K10	GPIO5
K11	n/c
K12	HDMI_RX0_DDC_SDA
K13	AVDD12_PLL
K14	HOST_I2C_SDA
L1	TCLK_1V2_OUT
L2	TX0_REXT
L3, L4	VSS
L5	GPIO3/RX0_CABLE_DET0
L6, L7, L8, L9	VSS
L10	GPIO4/RX0_CABLE_DET1
L11, L12	VSS
L13	AVDD12_OSC1

Table 1. Pin list (continued)

Pin number	Net name
L14	AVDD33_RCOSC
M1	TX0_AUX_N
M2	AVDD12_TX0
M3	TX0_LN2_N
M4	TX0_LN2_P
M5	AVDD12_TX0
M6	AVDD12_OSC0
M7, M8	VSS
M9	TX1_REXT
M10	AVDD12_TX1
M11	TX1_LN2_N
M12	TX1_LN2_P
M13	AVDD33_TX1
M14	TX1_LN0_P
N1	TX0_AUX_P
N2	TX0_LN3_P
N5	TX0_LN1_N
N6	AVDD33_TX0
N7	TCLK
N8	XTAL
N9	AVDD12_TX1
N10	TX1_LN3_P
N13	TX1_LN1_N
N14	TX1_LN0_N
P1	VSS
P2	TX0_LN3_N
P5	TX0_LN1_P
P6	TX0_LN0_N
P7	TX0_LN0_P
P8	TX1_AUX_N
P9	TX1_AUX_P
P10	TX1_LN3_N
P13	TX1_LN1_P
P14	VSS

5. Connections

5.1 Pin list

I/O Legend: I = Input; O = Output; P = Power; G = Ground; IO = Bi-direction; AI = Analog input; AO = Analog output; AIO = Analog I/O; TRI = Tristate; TOL = Tolerance; PD = Internal 50K pulldown; PU = Internal 50K pull-up; OPENDR = Open drain output

Note: Some pins can have multiple functionalities, which are configured under register control. The alternate functionality for each pin is listed in the Description column.

Table 2. DisplayPort receiver pins

Pin	Assignment	I/O	Description	Reset state
D6	RX0_REXT	AIO, 3V3 TOL	Connect to External 249 Ohm Resistor to VDD33	NA
A5	RX0_LN0_P	AIO, 3V3 TOL	DUAL MODE RX HDMI CLOCKP OR DP RX_LN0P.	TRISTATE
B5	RX0_LN0_N	AIO, 3V3 TOL	DUAL MODE RX HDMI CLOCKN OR DP RX_LN0N.	TRISTATE
C4	RX0_LN1_P	AIO, 3V3 TOL	DUAL MODE RX HDMI RX0P OR DP RX_LN1P.	TRISTATE
C3	RX0_LN1_N	AIO, 3V3 TOL	DUAL MODE RX HDMI RX0N OR DP RX_LN1N.	TRISTATE
B2	RX0_LN2_P	AIO, 3V3 TOL	DUAL MODE RX HDMI RX1P OR DP RX_LN2P.	TRISTATE
A2	RX0_LN2_N	AIO, 3V3 TOL	DUAL MODE RX HDMI RX1N OR DP RX_LN2N.	TRISTATE
B1	RX0_LN3_P	AIO, 3V3 TOL	DUAL MODE RX HDMI RX2P OR DP RX_LN3P.	TRISTATE
C1	RX0_LN3_N	AIO, 3V3 TOL	DUAL MODE RX HDMI RX2N OR DP RX_LN3N.	TRISTATE
A6	RX0_AUX_P	AIO, 1V2 TOL	DUAL MODE RX DP RX_AUXP. AC Couple 0.1uF. Use 20 Ohm damping resistor in series and 1M Ohm pull up to 3.3 V before cap.	TRISTATE
A7	RX0_AUX_N	AIO, 1V2 TOL	DUAL MODE RX DP RX_AUXN. AC Couple 0.1uF. Use 20 Ohm damping resistor in series and 1M Ohm pull down to GND before cap.	TRISTATE

Note: The default DP and HDMI input signals mapping match the standard DP and HDMI connector pin mapping. However, lane swapping and polarity swapping are possible through software configuration.

Table 3. System function pins

Pin	Assignment	I/O	Description	Reset state
D2	TEST	I, 3V3 TOL, INT PD	Connect to GND	INPUT, Internal PD
N7	TCLK	AIO, 1V2 TOL	Connect to 27 MHz crystal oscillator with 22 pF to 1.2 V.	NA
N8	XTAL			
K1	TCLK_3V3_OUT	IO, 3V3 TOL	TCLK output, Tristate 3.3 V pad	TRISTATE
L1	TCLK_1V2_OUT	IO, 1V2 TOL	TCLK output, Tristate 1.2 V pad	TRISTATE
H12	RESETn	AIO, 3V3 TOL	Use external 3K ohm resistor to 3.3 V	TRISTATE, INPUT
J3	SPI_CSN	IO, 3V3 TOL, TRI, INT PU	To SPI chip select. Also see Table 8: Bootstrap configuration .	TRISTATE, Internal PU
K2	SPI_DO	IO, 3V3 TOL, TRI, INT PD	To SPI data out. Also see Table 8: Bootstrap configuration .	TRISTATE, Internal PD
J1	SPI_DI	I, 3V3 TOL, INT PD	From SPI data in.	INPUT with Internal PD
H3	SPI_CLK	IO, 3V3 TOL, TRI, INT PD	To SPI clock. Also see Table 8: Bootstrap configuration .	TRISTATE, Internal PD

Table 4. Multi-function pins

Pin	Assignment	I/O	Description	Reset state
E3	HDMI_CEC	IO, 3.3 TOL, TRI	HDMI CEC not supported in the current silicon rev. Connect this pin to external pull-up DVDD3V3.	TRISTATE
F4	RX0_HPDP		To the upstream HPD signal pin on the DP connector. 100K res to GND.	TRISTATE
L5	GPIO3/ RX0_CABLE_DET0		Cable detect1 for DisplayPort connector	TRISTATE
L10	GPIO4/ RX0_CABLE_DET1		Cable detect2 for DisplayPort connector	TRISTATE
K12	HDMI_RX0_DDC_SDA		DDC SDA for upstream HDMI port0. Use external pull up 4.7 K to 3.3 V when used. Else leave as NC.	TRISTATE
H11	HDMI_RX0_DDC_SCL		DDC SCL for upstream HDMI port0. Use external pull up 4.7 K to 3.3 V when used. Else leave as NC.	TRISTATE
E2	SPDIF_OUT0	IO, 3.3 TOL, TRI, INT PU	To external buffer for SPDIF output [Audio corresponding to video on Port0]	TRISTATE, Internal PU
F3	SPDIF_OUT1		To external buffer for SPDIF output [Audio corresponding to video on Port1]	TRISTATE, Internal PU

Table 4. Multi-function pins

Pin	Assignment	I/O	Description	Reset state
E4	TX0_HPDP	IO, 3.3 TOL, TRI	HPDP in for Downstream DP/HDMI port0	TRISTATE
J4	GPIO2		General Purpose input/output, Tristate 3.3 V pad	TRISTATE
D14	HDMI_TX0_DDC_SDA		DDC SDA for downstream HDMI port0. Use external pull up 4.7 K to 3.3 V when used. Else leave as NC.	TRISTATE
D13	HDMI_TX0_DDC_SCL		DDC SCL for downstream HDMI port0. Use external pull up 4.7 K to 3.3 V when used. Else leave as NC.	TRISTATE
K3	GPIO0/TX0_CONFIG1		Config1 input for Downstream DP port0 or GPIO	TRISTATE
K4	GPIO1/TX0_CONFIG2		Config2 input for Downstream DP port0 or GPIO	TRISTATE
D1	TX1_HPDP		HPDP in for Downstream DP/HDMI port1	TRISTATE
K10	GPIO5		General Purpose input/output, Tristate 3.3 V pad	TRISTATE
E11	HDMI_TX1_DDC_SDA	IO, 3.3 TOL, TRI	DDC SDA for downstream HDMI port1. Use external pull up 4.7 K to 3.3 V when used. Else leave as NC.	TRISTATE
E14	HDMI_TX1_DDC_SCL		DDC SCL for downstream HDMI port1 . Use external pull up 4.7 K to 3.3 V when used. Else leave as NC.	TRISTATE
H1	GPIO12/ TX1_CONFIG1		Config1 input for Downstream DP port1 or GPIO	TRISTATE
G3	GPIO13/ TX1_CONFIG2		Config2 input for Downstream DP port1 or GPIO	TRISTATE
H4	UART_TX	IO, 3.3 TOL, TRI, INT PU	To debug port UART_TX. Also see Table 8: Bootstrap configuration .	TRI, Internal PU
J2	UART_RX	IO, 3.3 TOL, TRI	To debug port UART_RX	TRISTATE
G14	MASTER0_I2C_SCL		Master I2C SCL Port0. Connect to I2C Slave with external Pull Up	TRISTATE
G13	MASTER0_I2C_SDA		Master I2C SDA Port0. Connect to I2C Slave with external Pull Up	TRISTATE
G4	MASTER0_IRQ_IN	IO, 3.3 TOL, TRI, INT PD	Master I2C Port0 interrupt input. Connect to I2C Slave interrupt out	TRISTATE, Internal PD
H14	MASTER1_I2C_SCL	IO, 3.3 TOL, TRI	Master I2C SCL Port1. Connect to I2C Slave with external Pull Up	TRISTATE
H13	MASTER1_I2C_SDA		Master I2C SDA Port1. Connect to I2C Slave with external Pull Up	TRISTATE
F1	MASTER1_IRQ_IN	IO, 3.3 TOL, TRI, INT PD	Master I2C Port01 interrupt input. Connect to I2C Slave interrupt out	TRISTATE, Internal PD
G12	MASTER2_I2C_SCL	IO, 3.3 TOL, TRI	Master I2C SCL Port2. Connect to I2C Slave with external Pull Up	TRISTATE
G11	MASTER2_I2C_SDA		Master I2C SDA Port2. Connect to I2C Slave with external Pull Up	TRISTATE

Table 4. Multi-function pins

Pin	Assignment	I/O	Description	Reset state
G1	MASTER2_IRQ_IN	IO, 3.3 TOL, TRI, INT PD	Master I2C Port2 interrupt input. Connect to I2C Slave interrupt out	TRISTATE, Internal PD
J13	MASTER3_I2C_SCL	IO, 3.3 TOL, TRI	Master I2C SCL Port3. Connect to I2C Slave with external Pull Up	TRISTATE,
J14	MASTER3_I2C_SDA		Master I2C SDA Port3. Connect to I2C Slave with external Pull Up	TRISTATE,
G2	MASTER3_IRQ_IN	IO, 3.3 TOL, TRI, INT PD	Master I2C Port3 interrupt input. Connect to I2C Slave interrupt out	TRISTATE, Internal PD
J12	HOST_I2C_SCL	IO, 3.3 TOL, TRI	Slave I2C SCL. Connect to I2C Master with external Pull Up	TRISTATE
K14	HOST_I2C_SDA		Slave I2C SDA. Connect to I2C Master with external Pull Up	TRISTATE
H2	HOST_IRQ_OUT	IO, 3.3 TOL, TRI, INT PD	Interrupt out. Connect to interrupt in of Master	TRISTATE, Internal PD
E13	GPIO6	IO, 3.3 TOL, TRI	General purpose input/output	TRISTATE
F14	GPIO7	IO, 3.3 TOL, TRI		
E12	GPIO8	IO, 3.3 TOL, TRI		
F11	GPIO9	IO, 3.3 TOL, TRI		
F12	GPIO10	IO, 3.3 TOL, TRI		
F13	GPIO11	IO, 3.3 TOL, TRI		
F2	GPO	IO, 3.3 TOL, TRI, INT PD	General purpose input/output. See Table 8: Bootstrap configuration .	TRISTATE, Internal PD

Table 5. Transmitter pins

Pin	Assignment	I/O	Description	Reset state
L2	TX0_REXT	AI, 1V2 TOL	TX, EXTERNAL 249 Ohm RESISTOR TO VDD12	NA
N1	TX0_AUX_P	AIO, 1V2 TOL	DUAL MODE TX Port0 DP TX_AUXP. AC Couple to TX Connector. External 100K Resistor to GND.	TRISTATE
M1	TX0_AUX_N	AIO, 1V2 TOL	DUAL MODE TX Port0 DP TX_AUXN. AC Couple to TX Connector. External 100K Resistor to VDD33.	TRISTATE
N2	TX0_LN3_P	AO, 1V2 TOL	DUAL MODE TX Port0 HDMI TXCKP OR DP TX_LN3P. AC Couple to TX Connector.	TRISTATE
P2	TX0_LN3_N	AO, 1V2 TOL	DUAL MODE TX Port0 HDMI TXCKN OR DP TX_LN3N. AC Couple to TX Connector	TRISTATE
M4	TX0_LN2_P	AO, 1V2 TOL	DUAL MODE TX Port0 HDMI TX2P OR DP TX_LN2P. AC Couple to TX Connector	TRISTATE

Table 5. Transmitter pins

Pin	Assignment	I/O	Description	Reset state
M3	TX0_LN2_N	AO, 1V2 TOL	DUAL MODE TX Port0 HDMI TX2N OR DP TX_LN2N. AC Couple to TX Connector	TRISTATE
P5	TX0_LN1_P	AO, 1V2 TOL	DUAL MODE TX Port0 HDMI TX1P OR DP TX_LN1P. AC Couple to TX Connector	TRISTATE
N5	TX0_LN1_N	AO, 1V2 TOL	DUAL MODE TX Port0 HDMI TX1N OR DP TX_LN1N. AC Couple to TX Connector	TRISTATE
P7	TX0_LN0_P	AO, 1V2 TOL	DUAL MODE TX Port0 HDMI TX0P OR DP TX_LN1P. AC Couple to TX Connector	TRISTATE
P6	TX0_LN0_N	AO, 1V2 TOL	DUAL MODE TX Port0 HDMI TX0N OR DP TX_LN1N. AC Couple to TX Connector	TRISTATE
M9	TX1_REXT	AI, 1V2 TOL	TX, EXTERNAL 249 Ohm RESISTOR TO VDD12	NA
P9	TX1_AUX_P	AO, 1V2 TOL	DUAL MODE TX Port1 DP TX_AUXP. AC Couple to TX Connector. External 100K Resistor to GND.	TRISTATE
P8	TX1_AUX_N	AO, 1V2 TOL	DUAL MODE TX Port1 DP TX_AUXN. AC Couple to TX Connector. External 100K Resistor to VDD33.	TRISTATE
N10	TX1_LN3_P	AO, 1V2 TOL	DUAL MODE TX Port1 HDMI TXCKP OR DP TX_LN3P. AC Couple to TX Connector.	TRISTATE
P10	TX1_LN3_N	AO, 1V2 TOL	DUAL MODE TX Port1 HDMI TXCKN OR DP TX_LN3N. AC Couple to TX Connector	TRISTATE
M12	TX1_LN2_P	AO, 1V2 TOL	DUAL MODE TX Port1 HDMI TX2P OR DP TX_LN2P. AC Couple to TX Connector	TRISTATE
M11	TX1_LN2_N	AO, 1V2 TOL	DUAL MODE TX Port1 HDMI TX2N OR DP TX_LN2N. AC Couple to TX Connector	TRISTATE
P13	TX1_LN1_P	AO, 1V2 TOL	DUAL MODE TX Port1 HDMI TX1P OR DP TX_LN1N. AC Couple to TX Connector	TRISTATE
N13	TX1_LN1_N	AO, 1V2 TOL	DUAL MODE TX Port1 HDMI TX1N OR DP TX_LN1N. AC Couple to TX Connector	TRISTATE
M14	TX1_LN0_P	AO, 1V2 TOL	DUAL MODE TX Port1 HDMI TX0P OR DP TX_LN1P. AC Couple to TX Connector	TRISTATE
N14	TX1_LN0_N	AO, 1V2 TOL	DUAL MODE TX Port1 HDMI TX0N OR DP TX_LN1N. AC Couple to TX Connector	TRISTATE

Table 6. System power and ground

Pin	Assignment	Description
J5, J10	DVDD33	I/O VDD, 3.3V digital supply. De-couple using 100 nF.
E5, E10, F5, F10, G5, G10, H5, H10	DVDD12	Core VDD, 1.2V digital supply. De-couple using 100 nF.
L14	AVDD33_RCOSC	3.3V RC-oscillator analog supply. De-couple using 100 nF.
K13	AVDD12_PLL	1.2V analog PLL supply. De-couple using 10 uF and 100 nF.
C5, C6, C9, C10	AVDD12_RX	1.2V analog receiver supply. EMI filter rail and de-couple using 10 uF and 100 nF.

Table 6. System power and ground

Pin	Assignment	Description
C2, C7, C8, C13	AVDD33_RX	3.3V analog receiver supply. EMI filter rail and de-couple using 10 uF and 100 nF.
N6	AVDD33_TX0	3.3V analog transmitter supply. EMI filter rail and de-couple using 10 uF and 100 nF.
M13	AVDD33_TX1	3.3V analog transmitter supply. EMI filter rail and de-couple using 10 uF and 100 nF.
M2, M5	AVDD12_TX0	1.2V analog transmitter supply. EMI filter rail and de-couple using 10 uF and 100 nF.
M10, N9	AVDD12_TX1	1.2V analog transmitter supply. EMI filter rail and de-couple using 10 uF and 100 nF.
M6	AVDD12_OSC0	1.2V analog crystal oscillator supply. De-couple using 100 nF.
L13	AVDD12_OSC1	1.2V analog crystal oscillator supply. De-couple using 100 nF.
K5	DVDD25_SM	2.5V LDO supply. De-couple using 10 uF and 100 nF.
A1, A14, B6, B7, B8, B9, D3, D4, D5, D7, D8, D10, D11, D12, F6, F7, F8, F9, G6, G7, G8, G9, H6, H7, H8, H9, J6, J7, J8, J9, L3, L4, L6, L7, L8, L9, L11, L12, M7, M8, P1, P14	VSS	Common GND. Connect to GND plane

Table 7. Reserved pins

Pin	Assignment	Description
A8, A9, A10, A13, B10, B13, B14, C11, C12, C14, D9, E1, J11, K11	n/c	Reserved. Do not connect

5.2 Bootstrap configuration

DC levels on some of the pins are specified during de-asserting edge of power-on reset (RESETn goes high). The levels specified below must be adhered for normal function of the device.

Table 8. Bootstrap configuration

Bootstrap signal name	Internal PU/PD	Pin assignment	Function
Bootstrap_0	PULLUP	UART_TX (H4)	0: Reserved for ATE Test
			1: Normal Operation (Recommended)
Bootstrap_1	PULLDN	GPO (F2)	0: Crystal_OSC is enabled (Recommended)
			1: RC_OSC is enabled,

Bootstrap signal name	Internal PU/PD	Pin assignment	Function
Bootstrap_2	PULLDN	SPI_CLK (H3)	0: OCM boot up from internal ROM (Recommended)
			1: OCM boot up from external ROM
Bootstrap_3	PULLDN	SPI_DO (K2)	0: Reserved for Testing (Recommended)
			1: Reserved for Testing
Bootstrap_4	PULLUP	SPDIF_OUT0 (E2)	0: Select External OSC Operation
			1: Select Internal OSC Operation (Recommended)
Bootstrap_5	PULLUP	SPI_CSN (J3)	0: Debug Mode
			1: Normal Operation (Recommended)
Bootstrap_6	PULLUP	SPDIF_OUT1 (F3)	0: Software Bootstrap for I2C address selection
			1: Software Bootstrap for I2C address selection
Bootstrap_7	PULLDN	HOST_IRQ_OUT (H2)	0: Software Bootstrap for I2C address selection
			1: Software Bootstrap for I2C address selection

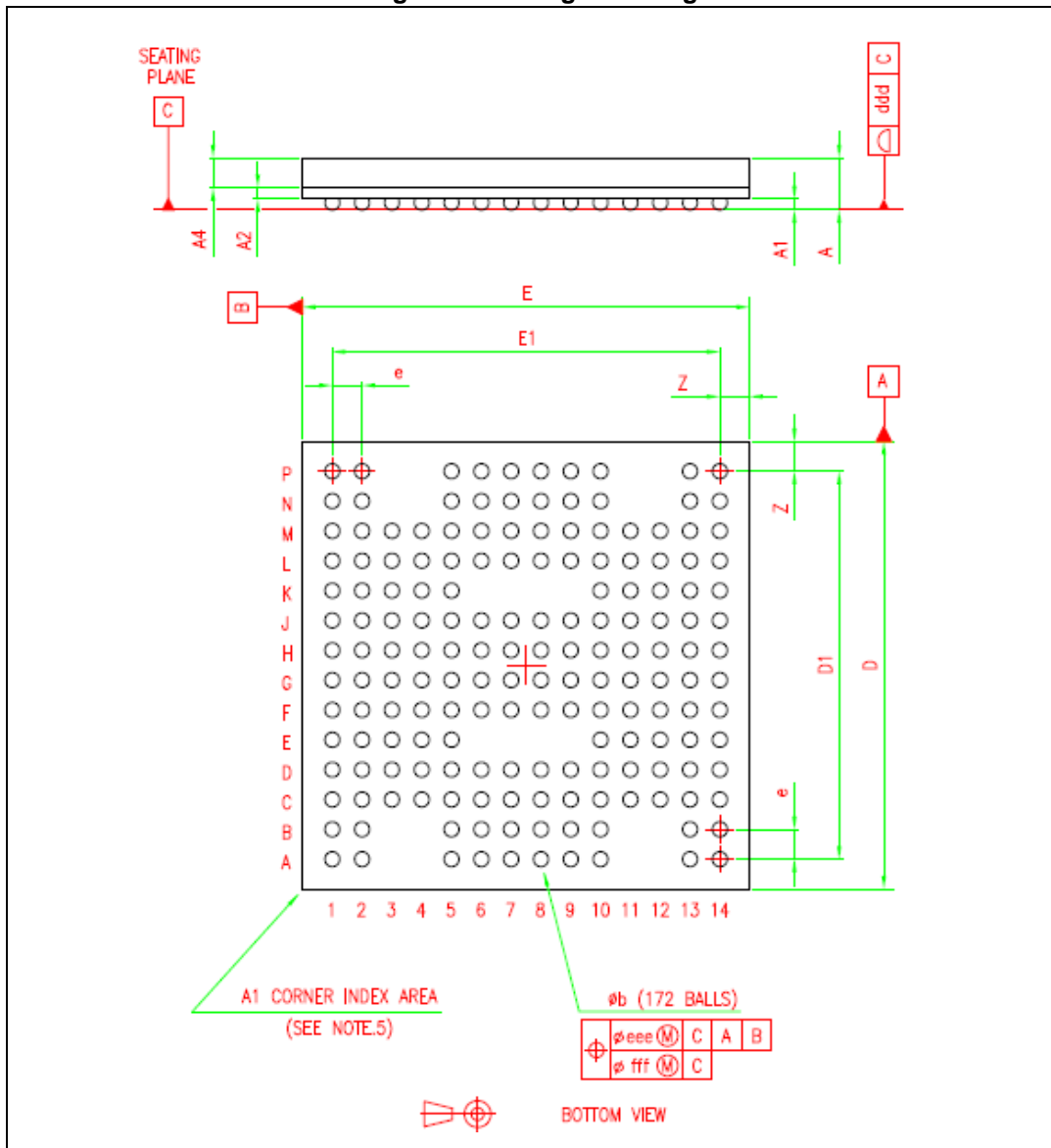
Note: When the pin corresponding to a specific bootstrap is left NC, it takes the value of the assigned by the internal PULLUP (Level 1) or PULLDN (Level0). The internal resistor used is around 50 k ohm. To select a non-default value on a bootstrap, an external PULLUP or PULLDN resistor is tied to the opposite direction that overcomes the internal PULLUP or PULLDN needs to be used.

6. Package specifications

Package type: 172 LFBGA (12 x 12 mm / ball pitch 0.8 mm)

6.1 Package drawing

Figure 4. Package drawing



6.2 Package dimensions

Figure 5. Package dimensions

DIMENSIONS							
REF.	DATABOOK (mm)			DRAWING (mm)			NOTES
	MIN.	TYP.	MAX.	MIN.	TYP.	MAX.	
A			1.70			1.43	(1)
A1	0.21			0.25	0.30	0.35	
A2		0.28		0.28	0.28	0.32	
A4			0.80	0.77	0.785	0.80	
b	0.35	0.40	0.45	0.35	0.40	0.45	(2)
D	11.85	12.00	12.15	11.90	12.00	12.10	
D1		10.40			10.40		
E	11.85	12.00	12.15	11.90	12.00	12.10	
E1		10.40			10.40		
e		0.80			0.80		
Z		0.80			0.80		
ddd			0.10			0.10	
eee			0.15			0.15	(3)
fff			0.08			0.08	(4)

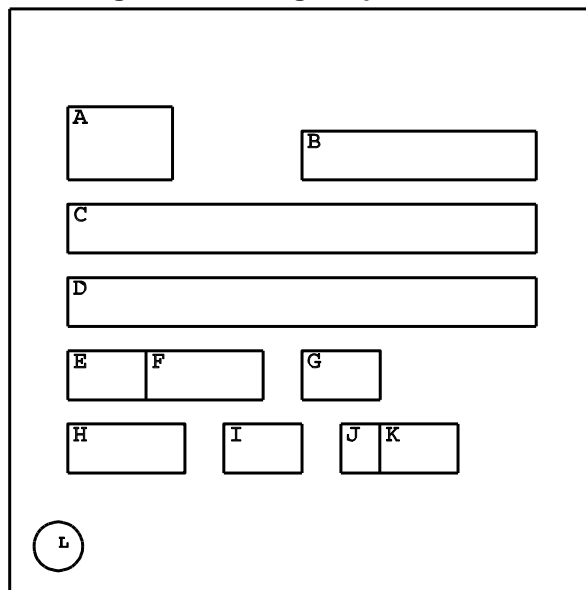
NOTES:

- (1) – LFBGA stands for Low profile Fine Pitch Ball Grid Array.
 - Low Profile: $1.20\text{mm} < A \leq 1.70\text{mm}$ / Fine pitch: $e < 1.00\text{mm}$.
 - The total profile height (Dim A) is measured from the seating plane "C" to the top of the component.
 - The maximum total package height is calculated by the RSS method (Root Sum Square):
 $A \text{ Max} = A1 \text{ Typ} + A2 \text{ Typ} + A4 \text{ Typ} + \sqrt{A1^2 + A2^2 + A4^2}$ tolerance values.
- (2) – The typical ball diameter before mounting is 0.40mm.
- (3) – The tolerance of position that controls the location of the pattern of balls with respect to datums A and B. For each ball there is a cylindrical tolerance zone eee perpendicular to datum C and located on true position with respect to datums A and B as defined by e. The axis perpendicular to datum C of each ball must lie within this tolerance zone.
- (4) – The tolerance of position that controls the location of the balls within the matrix with respect to each other. For each ball there is a cylindrical tolerance zone fff perpendicular to datum C and located on true position as defined by e. The axis perpendicular to datum C of each ball must lie within this tolerance zone. Each tolerance zone fff in the array is contained entirely in the respective zone eee above. The axis of each ball must lie simultaneously in both tolerance zones.
- (5) – The terminal A1 corner must be identified on the top surface by using a corner chamfer, ink or metalized markings, or other feature of package body or integral heat slug.
 - A distinguishing feature is allowable on the bottom surface of the package to identify the terminal A1 corner. Exact shape of each corner is optional.

6.3 Marking field template and descriptors

The STDP4320 marking template is shown below.

Figure 6. Marking template



Field descriptors are shown below.

Table 9. Field descriptors

Field	Description	Marking
A	Standard MegaChips logo	M
B	2-character version code	BA
C	Product code	STDP4320
D	Optional marking	<blank>
E	2-character assembly plant code	22
F	3-character BE sequence code	"XYZ"
G	2-character diffusion plant code	VQ
H	3-character country of origin code	MLT
I	2-character test plant code	22
J	1-digit assembly year	"Y"
K	2-digit assembly week	"WW"
L	Ball A1 identifier	a DOT

6.4 Classification reflow profile

Please refer to the DisplayPort Application Note: Classification reflow profile for SMD devices (C0353-APN-06) for reflow diagram and details.

7. Electrical specifications

7.1 Preliminary DC characteristics: absolute maximum ratings

Applied conditions greater than those listed under “Absolute maximum ratings” may cause permanent damage to the device. The device should never exceed absolute maximum conditions since it may affect device reliability.

Table 10. Absolute maximum ratings

Parameter	Symbol	Min	Typ	Max	Units
3.3 V supply voltages ^(1,2)	V _{VDD_3.3}	-0.3	3.3	3.63	V
1.2 V supply voltages ^(1,2)	V _{VDD_1.2}	-0.3	1.2	1.26	V
Input voltage for tolerance for 5 V I/O pin ^(1,2)	V _{IN5Vtol}	-0.3	-	5.5	V
Input voltage tolerance for 3.3 V I/O pin ^(1,2)	V _{IN3V3tol}	-0.3	-	3.63	V
ESD - Human Body Model (HBM)	V _{ESD}	-	-	±2	kV
ESD - Charged Device Model (CDM)	V _{ESD}	-	-	±450	V
Latch-up	I _{LA}	-	-	±200	mA
Ambient operating temperature	T _A	0	-	70	°C
Storage temperature	T _{STG}	-40	-	125	°C
Operating junction temperature	T _J	0	-	125	°C
Thermal resistance (Junction to Ambient)	θ _{JA}	-	36.5	-	°C/W
PSI (J-C) (Junction to Case)	ψ _{JC}	-	1.6	-	°C/W
Peak IR reflow soldering temperature (<10 sec.)	T _{SOL}	-	-	260	°C

Note (1): All voltages are measured with respect to GND.

Note (2): Absolute maximum voltage ranges are for transient voltage excursions.

7.2 DC characteristics

Table 11. DC characteristics

Parameter	Symbol	Min	Typ	Max ⁽¹⁾	Units
Power					
3.3 V supply voltages (analog and digital)	V _{VDD_3.3}	3.14	3.3	3.47	V
1.2 V supply voltages (analog and digital)	V _{VDD_1.2}	1.14	1.2	1.26	V
Power					
Measurement conditions: 4K x 2K / 60 Hz MST (2K x 2K, two streams) Test pattern: ON-OFF dot				914	mW

Table 11. DC characteristics

Parameter	Symbol	Min	Typ	Max ⁽¹⁾	Units
Sleep mode			30		mW
Supply current					
Measurement conditions: 4K x 2K / 60 Hz MST (2K x 2K, two streams) Test pattern: ON-OFF dot Moire In all configurations, 8 bits output is used		-		-	mA
VDD (analog and digital power) = 3.3 V				58	
VDD (analog and digital power) = 1.2 V				565	
Inputs					
High voltage	V _{IH}	2.0	-	-	V
Low voltage	V _{IL}	-	-	0.8	V
Input hysteresis voltage	V _{HYST}	300	-	-	mV
High current (V _{IN} = 3.3 V)	I _{IH}	-	-	±10	µA
Low current (V _{IN} = 0 V)	I _{IL}	-	-	±10	µA
Capacitance (V _{IN} = 2.4 V)	C _{IN}	-	-	5	pF
Outputs					
High voltage (I _{OH} = 8 mA)	V _{OH}	2.4	-	-	V
Low voltage (I _{OL} = -8 mA)	V _{OL}	-	-	0.4	V
Tri-state leakage current	I _{OZ}	-	-	±10	µA

Note: The values in the Max column represent absolute maximum current consumption under high voltage (+5%) and nominal temperature. These values are measured in an environment that includes some discreet components. Other conditions include: a) Power measurement values are to be used for regulator sizing only, and not directly for package thermal calculations. b) IC performance is only guaranteed when operating within the "DC Characteristics". c) All inputs are 3.3 V tolerant.

7.3 AC characteristics

Table 12. Maximum speed of operation

Clock domain	Max speed of operation
Reference Input Clock (TCLK)	27 MHz
Reference Internal Clock (RCLK)	324 MHz
On-Chip Microcontroller Clock (OCLK)	150 MHz
SPDIF audio output	192 kHz
2-Wire Serial Slave (SLAVE_SCL)	400 kHz

Table 12. Maximum speed of operation

2-Wire DDC2bi Slave (HDMI_SCL)	400 kHz
2-Wire Serial Master (MSTRx_SCL)	400 kHz

7.3.1 DisplayPort receiver

Table 13. DisplayPort receiver electrical parameters

Parameter	Symbol	Min	Typ	Max	Units	Comments
DisplayPort receiver system parameters						
HBR2 unit interval (5.4 Gbps)	UI_HBR2	-	185	-	ps	DisplayPort link RX does not require local crystal for link clock generation
HBR unit interval (2.7 Gbps)	UI_HBR	-	370	-	ps	
RBR unit interval (1.62 Gbps)	UI_RBR	-	617	-	ps	
Link clock down spreading	Down spread amplitude	0	-	0.5	%	Modulation frequency range Of 30 kHz to 33 kHz
DisplayPort receiver TP3 parameters						
Minimum receiver eye width at Rx-side connector pins	T _{RX-EYE_CONN}	0.25	-	-	UI	For RBR
Lane intra-pair skew tolerance	L _{RX-SKEW_INTRA_PA} IR_HBR2	-	-	50	ps	For HBR2. Represents the skew contribution from the cable in addition to the stressed EYE at TP3_EQ.
Lane intra-pair skew tolerance	L _{RX-SKEW_INTRA_PA} IR_HBR	-	-	60	ps	For HBR. Represents the skew contribution from the cable in addition to the stressed EYE at TP3.
Lane intra-pair skew tolerance	L _{RX-SKEW_INTRA_PA} IR_RBR	-	-	260	ps	For RBR. Represents the skew contribution from the cable in addition to the stressed EYE at TP3.
Jitter closed loop tracking bandwidth	F _{RX-TRACKING-BW_RBR}	5.4	-	-	MHz	Minimum CDR closed loop tracking bandwidth at the receiver when the input is a PRBS7 pattern
Jitter closed loop tracking bandwidth	F _{RX-TRACKING-BW_HBR}	10	-	-	MHz	Minimum CDR closed loop tracking bandwidth at the receiver when the input is a PRBS7 pattern

Table 13. DisplayPort receiver electrical parameters

Parameter	Symbol	Min	Typ	Max	Units	Comments
Jitter closed loop tracking bandwidth	$F_{RX-TRACKING-BW_HBR2}$	10	-	-	MHz	Minimum CDR closed loop tracking bandwidth at the receiver when the input is a PRBS7 pattern
DisplayPort receiver TP3_EQ parameters						
Minimum receiver eye width	$T_{RX-TJ_8b10b_HBR2}$	0.38	-	-	UI	For HBR2. Measured at 1E-9 BER using HBR2 Compliance EYE pattern.
RX differential peak-to-peak EYE voltage	$T_{RX-DIFFp_p_HBR2}$	90	-	-	mV	For HBR2. Measured at 1E-9 BER using HBR2 compliance EYE pattern.

7.3.2 DisplayPort transmitter

Table 14. DisplayPort transmitter electrical parameters

Parameter	Symbol	Min	Typ	Max	Units	Comments
DisplayPort transmitter system parameters						
HBR2 unit interval (5.4Gbps)	UI_HBR2	-	185	-	ps	Frequency high limit = +300ppm Frequency low limit =5300ppm
HBR unit interval (2.7Gbps)	UI_HBR	-	370	-	ps	
RBR unit interval (1.62Gbps)	UI_RBR	-	617	-	ps	
Link clock down spreading	Down spread amplitude	0	-	0.5	%	Modulation frequency range Of 30 kHz to 33 kHz
DisplayPort transmitter TP2 parameters						
Ratio of output voltage level 1/level 0	$V_{TX-OUTPUT_RATIO_RBR_HBR}$	0.8	-	6.0	dB	Measured on non-transition bits at pre-emphasis level 0 setting
Ratio of output voltage level 2/level 1		0.1	-	5.1	dB	
Ratio of Output Voltage level 3/level 2		0.8	-	6.0	dB	

Table 14. DisplayPort transmitter electrical parameters

Parameter	Symbol	Min	Typ	Max	Units	Comments
Ratio of output voltage level 1/level 0	V _{TX-OUTPUT_RATIO} _RBR_HBR2	5.2		6.9	dB	Measured on non-transition bits at pre-emphasis level 0 setting
Ratio of Output Voltage level 2/level 1		1.6		3.5		
Ratio of output voltage level 3/level 2		1		4.4		
Maximum pre-emphasis when disabled	V _{TX-PREEMP-OFF}			0.25	dB	
Max output voltage level	V _{TX-DIFFp-p-MAX}			1.2	V	
Lane-to-lane output skew	L _{TX-SKEW-INTER_PAIR_HBR} _RBR			2	UI	Applied to all pairwise combinations of supported lanes.
Lane-to-lane output skew	L _{TX-SKEW-INTER_PAIR_HBR} 2			4 UI + 500 ps		Applied to all pairwise combinations of supported lanes.
Lane intra-pair output skew	L _{TX-SKEW-INTRA_PAIR}			30	ps	Applies to all support lanes.
Delta of pre-emphasis level 1 vs. level 0	V _{TX-PREEMP-DELTA}	2			dB	Applied to all valid voltage settings. No Pre-emphasis Post Cursor2 applied.
Delta of pre-emphasis level 2 vs. level 1		1.6			dB	
Delta of pre-emphasis level 3 vs. level 2		1.6			dB	
Non-transition reduction output voltage level 2	V _{TX-DIFF_REDUCTION}			3	dB	V _{TX_DIFF} at each non-zero nominal pre-emphasis level must not be lower than the specific amount less than V _{TX_DIFF} at the zero nominal pre-emphasis level. Modulation frequency range 0f 30 kHz to 33 kHz
Non-transition reduction output voltage level 1				3	dB	
Non-transition reduction output voltage level 0				1.4	dB	
DisplayPort transmitter TP3_EQ parameters						
Maximum TX total jitter	T _{TX-TJ_8b10b_HBR2}			0.62	UI	For HBR2. Measured at 1E-9 BER using HBR2 compliance EYE pattern.
Maximum TX deterministic Jtjter	T _{TX-DJ_8b10b_HBR2}			0.49	UI	

Table 14. DisplayPort transmitter electrical parameters

Parameter	Symbol	Min	Typ	Max	Units	Comments
Maximum TX total jitter	$T_{TX-TJ_D10.2_HBR2}$			0.4	UI	For HBR2. Measured at 1E-9 BER using D10.2 compliance pattern.
Maximum TX deterministic jitter	$T_{TX-DJ_D10.2_HBR2}$			0.25	UI	
Maximum TX random jitter	$T_{TX-RJ_D10.2_HBR2}$			0.23	UI	
TX Differential reak-to-peak EYE voltage	$T_{TX-DIFFp-p_HBR2}$	110			mV	For HBR2. Measured at 1E-9 BER using HBR2 compliance EYE pattern.

7.3.3 HDMI receiver

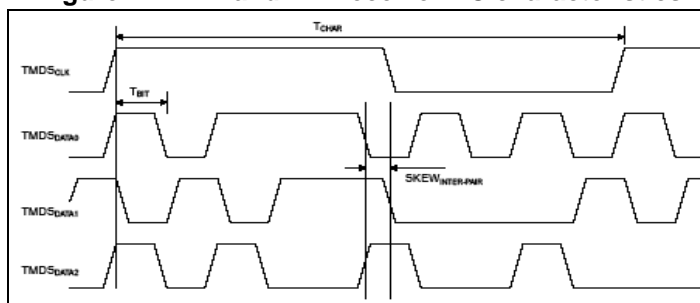
Table 15. HDMI receiver DC characteristics

DC characteristics	Min	Typ	Max	Units	Comments
Input Differential Voltage Level	150		1200	mV	
Input Common Mode Voltage, V_{icm1}	$AV_{cc}-400$ mV		$AV_{cc}-37.5$ mV		

Table 16. HDMI receiver AC characteristics

AC characteristics	Min	Typ	Max	Units	Comments
Input clock frequency	25		297	MHz	
Differential input (peak-to-peak)	150		1560	mV	
Intra-pair skew tolerance			0.4	T_{bit}	TMDS clock rates 222.75 MHz and below
Inter-pair skew tolerance			$0.2T_{bit} + 112$ ps	ps	TMDS clock rates above 222.75 MHz
Input clock jitter tolerance			0.3	T_{bit}	

Figure 7. HDMI and DVI receiver AC characteristics



7.3.4 HDMI transmitter

Table 17. HDMI transmitter (DP++) DC characteristics

DC characteristics	Min	Typ	Max	Units	Comments
Single-ended output voltage	400	500		mV	
Single-ended high level output voltage, V_H		AV_{DD}			$AV_{DD}=1.2$ volt
Single-ended low level output voltage, V_L		$AV_{DD}-500$ mV			$AV_{DD}=1.2$ volt

Table 18. HDMI transmitter AC characteristics

DC characteristics	Min	Typ	Max	Units	Comments
Intra-pair skew at source connector, max	-	-	0.15	T_{bit}	
Intra-pair skew at source connector, max	-	-	0.2	$T_{character}$	
TMDS differential clock jitter, max	-	-	0.25	T_{bit}	
Rise time/fall time	75	-	-	ps	

7.3.5 Crystal specification

Mode: fundamental

Table 19. Crystal specifications

Parameters	Min	Typ	Max	Units	Comments
Nominal frequency	-	27	-	MHz	
Tolerance	-	± 50	-	ppm	
Load capacitance	-	22	-	pF	
ESR (effective series resistance)	-	-	40	Ohm	
Drive level	-	-	100	μ W	
Shunt capacitance	-	7	-	pF	

7.3.6 I2C interface timing

Table 20. I2C interface timing

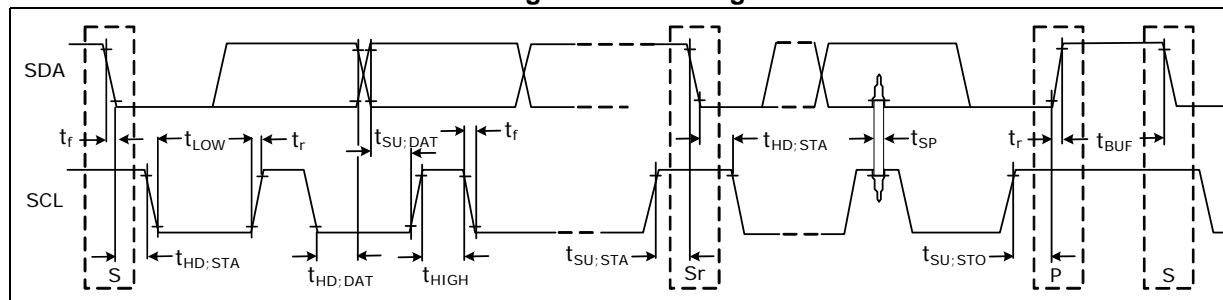
Symbol	Parameter	Conditions	Min	Measured	Max	Unit
f_{SCL}	SCL clock rate	Fast mode	0	393	400	kHz
t_{HD-STA}	Hold time START	After this period, the 1 st clock starts	0.6	0.95	-	μ s
t_{LOW}	Low period of clock	SCL	1.3	1.1	-	μ s
t_{HIGH}	High period of clock	SCL	0.6	0.75	-	μ s

Table 20. I2C interface timing

Symbol	Parameter	Conditions	Min	Measured	Max	Unit
$T_{su;STA}$	Setup time for a repeated START		0.6	1.09	-	μs
$t_{HD;DAT}$	Data hold time		0	0.96	0.9 ⁽¹⁾	μs
$t_{SU;DAT}$	Data setup time		100	600	-	ns
T_{BUF}	Bus free time between STOP and START		1.3	1.7 ms	-	μs
C_b	Capacitance load for each bus line		-		400	pF
t_r	Rise time		20	220	300	ns
t_f	Fall time		20	25	300	ns
V_{nh}	Noise margin at high level		0.2 VDD	0.3	-	V
V_{nl}	Noise margin at low level		0.1 VDD	0.28	-	V

Note: The maximum $t_{HD;DAT}$ only has to be met if the device does not stretch the low period t_{LOW} of the SCL signal. In the diagram below, S = start, P = stop, Sr = Repeated start, and SP= Repeated stop conditions.

Figure 8. I2C timing



7.3.7 SPI interface timing

Table 21. SPI interface timing, VDD = 3.3 V

Symbol	Parameter	Min	Typ	Max	Units
F_{CLK}	Serial clock frequency	-		75	MHz
T_{SCKH}	Serial clock high time	6		-	ns
T_{SCKL}	Serial clock low time	6		-	ns
T_{SCKR}	Serial clock rise time (slew rate)	-	3.0	-	V/ns
T_{SCKF}	Serial clock fall time (slew rate)	-	3.0	-	V/ns
T_{CES}	CE# active setup time	5		-	ns
T_{CEH}	CE# active hold time	5		-	ns

Table 21. SPI interface timing, VDD = 3.3 V

T_{CHS}	CE# not active setup time	5		-	ns
T_{CHH}	CE# not active hold time	5		-	ns
T_{CPH}	CE# high time	50		-	ns
T_{CHZ}	CE# high to high-Z output	-		7	ns
T_{CLZ}	SCK low to low-Z output	0		-	ns
T_{DS}	Data in setup time	2		-	ns
T_{DH}	Data in hold time	2		-	ns
T_{OH}	Output hold from SCK change	0		-	ns
T_V	Output valid from SCK	1.5	3.5	-	ns

Figure 9. SPI input timing

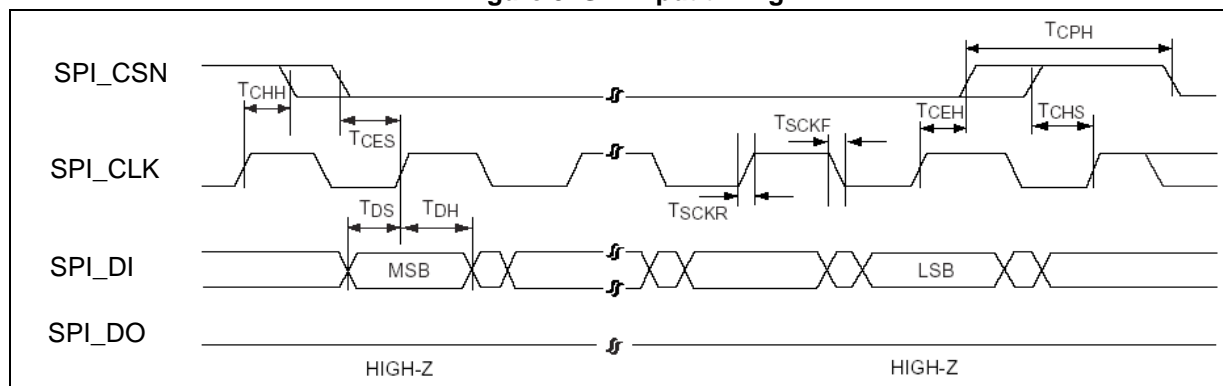
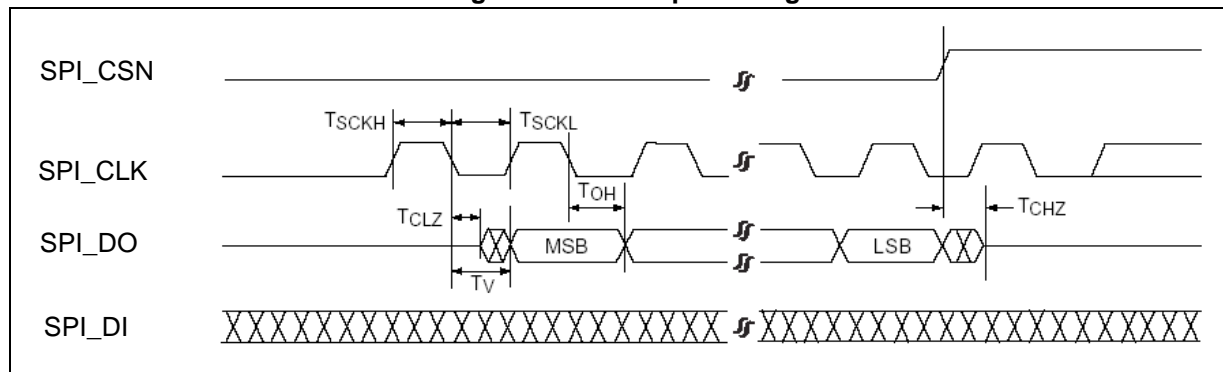


Figure 10. SPI output timing



8. Ordering information

Table 22. Order codes

Part number	Description
STDP4320-BA	172 LFBGA (12 x 12 mm)

9. Revision history

Table 23. Document revision history

Date	Revision	Changes
02-Mar-2016	A	Initial release.

Notice

Semiconductor products may possibly experience breakdown or malfunction. Adequate care should be taken with respect to the safety design of equipment in order to prevent the occurrence of human injury, fire or social loss in the event of breakdown or malfunction of semiconductor products

The overview of operations and illustration of applications described in this document indicate the conceptual method of use of the semiconductor product and do not guarantee operability in equipment in which the product is actually used.

The names of companies and trademarks stated in this document are registered trademarks of the relevant companies.

MegaChips Co. provides no guarantees nor grants any implementation rights with respect to industrial property rights, intellectual property rights and other such rights belonging to third parties or/and MegaChips Co. in the use of products and of technical information including information on the overview of operations and the circuit diagrams that are described in this document.

The product described in this document may possibly be considered goods or technology regulated by the Foreign Currency and Foreign Trade Control Law. In the event such law applies, export license will be required under said law when exporting the product. This regulation shall be valid in Japan domestic.

In the event the intention is to use the product described in this document in applications that require an extremely high standard of reliability such as nuclear systems, aerospace equipment or medical equipment for life support, please contact the sales department of MegaChips Co. in advance.

All information contained in this document is subject to change without notice.

Copyright © 2016 MegaChips Corporation All rights reserved

**MegaChips Corporation
Head Quarters**

1-1-1 Miyahara, Yodogawa-ku Osaka 532-0003, Japan
TEL: +81-6-6399-2884

**MegaChips Corporation
Tokyo Office**

17-6 Ichiban-cho, Chiyoda-ku, Tokyo 102-0082, Japan
TEL: +81-3-3512-5080

**MegaChips Corporation
Makuhari Office**

1-3 Nakase Mihama-ku Chiba 261-8501, Japan
TEL: +81-43-296-7414

**MegaChips Corporation
San Jose Office**

2033 Gateway Place, Suite 400, San Jose, CA 95110 U.S.A.
TEL: +1-408-570-0555

**MegaChips Corporation
India Branch**

17th Floor, Concorde Block UB City,
Vittal Mallya Road, Bangalore 560-001, India
TEL: +91-80-4041-3999

**MegaChips Corporation
Taiwan Branch**

RM. B 2F, Worldwide House, No.129,
Min Sheng E. Rd., Sec. 3, Taipei 105, Taiwan
TEL: +886-2-2547-1297

**MegaChips Corporation
Tainan Office**

RM. 2, 8F, No.24, Da Qiao 2 Rd., Yong Kang Dist.,
Tainan 710, Taiwan
TEL: +886-6-302-2898

**MegaChips Corporation
Zhunan Office**

No.118, Chung-Hua Rd., Chu-Nan, Miao-Li 350, Taiwan
TEL: +886-37-666-156

**MegaChips Corporation
Shenzhen Office**

Room 6307, Office Tower, Shun Hing Square, 5002
Shen Nan Dong Road, Luohu District,
Shenzhen 518000, P. R. China
TEL: +86-755-3664-6990