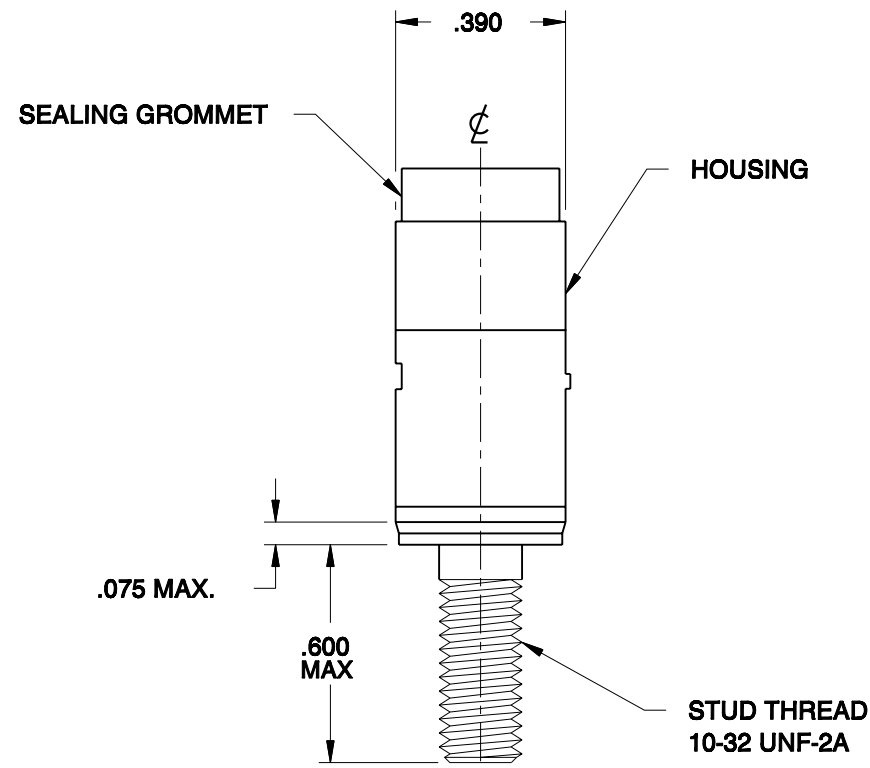
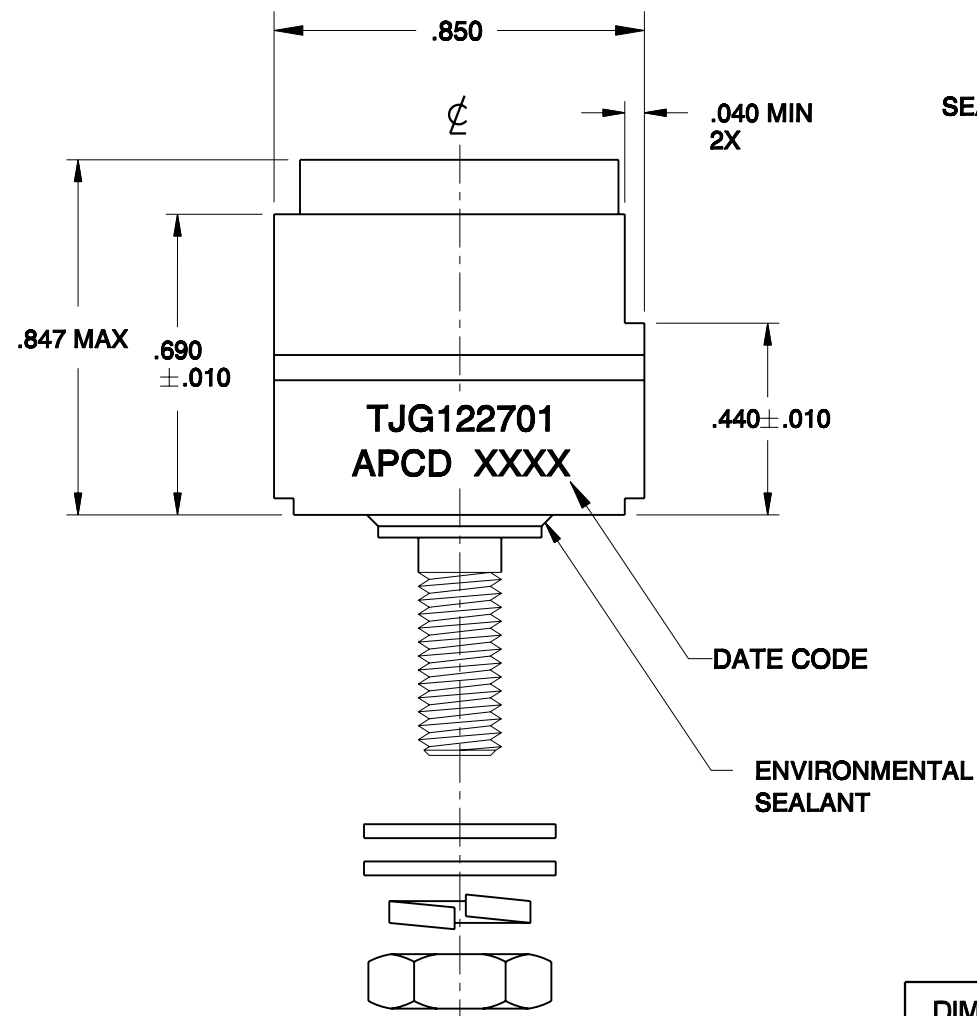
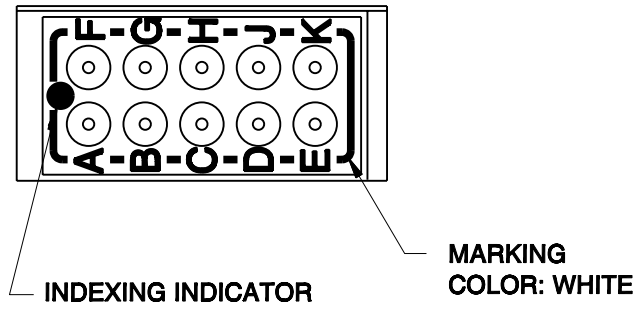


REV	ECN	APP'D
-	5797	



NOTES:

- MODULE MEETS ALL REQUIREMENTS OF MIL-T-81714/27, CLASS D, EXCEPT AS SHOWN.
- MODULE ASSEMBLY CONSTRUCTION:
  - HOUSING - POLYETHERIMIDE, COLOR: BLACK.
  - SEALING GROMMET - SILICONE PER A-A-59588, COLOR: BLUE.
  - INTERNAL SOCKET CONTACTS - COPPER ALLOY, GOLD PLATED PER MIL-G-45204, TYPE I, GRADE C, CLASS 1.
  - STUD - COPPER ALLOY, GOLD PLATED.
- MODULE MARKING AND IDENTIFICATION IS FLUSH WITH SURFACES, COLOR: WHITE.
- RECOMMENDED EXTERNAL PIN CONTACT SERVICE TOOLS:
  - CRIMP TOOL #M22520/7-01 WITH POSITIONER #M22520/2-11.
  - INSTALLING/REMOVAL TOOL #M18969/14-11, PCD #CNA078001.
- MODULE ACCEPTS:
  - MATING PIN CONTACTS #M39029/1-100, PCD #CNP068000.
  - SEALING PLUGS #MS27488-20, PCD #CNA032401.
- (1) PIN CONTACTS AND (2) SEALING PLUGS SUPPLIED WITH EACH MODULE.
- MOUNTING HARDWARE SUPPLIED WITH EACH MODULE:
  - FLAT WASHERS PER AN-960-10L.
  - LOCK WASHER PER MS35338-43.
  - NUT PER MS35650-304.

<b>DIMENSIONS</b> ANSI Y14.5M UNITS: INCHES Pro/E FILE	<b>TOLERANCES</b> .XX ±0.01 .XXX ±0.005 ANGLES ±2.0°	<b>PROJECTION</b> 	<b>Amphenol Pcd</b> SPECIFICATION DRAWING		TITLE <b>TERMINAL JUNCTION GROUNDING MODULE SIZE 22, CLASS D</b>		
			ENGR R. SWAINE      01/30/06	SIZE <b>B</b>	DWG NO. <b>TJG122701</b>	REV -	
ORIGINAL	THIS DOCUMENT CONTAINS PROPRIETARY INFORMATION WHICH IS THE CONFIDENTIAL PROPERTY OF AMPHENOL PCD INC., PEABODY, MA		CHKD APPD	CODE: 58982	SCALE: 1:1	SHEET 1 OF 1	

TJG122701

TJG122701