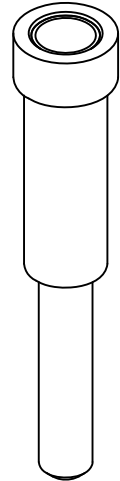
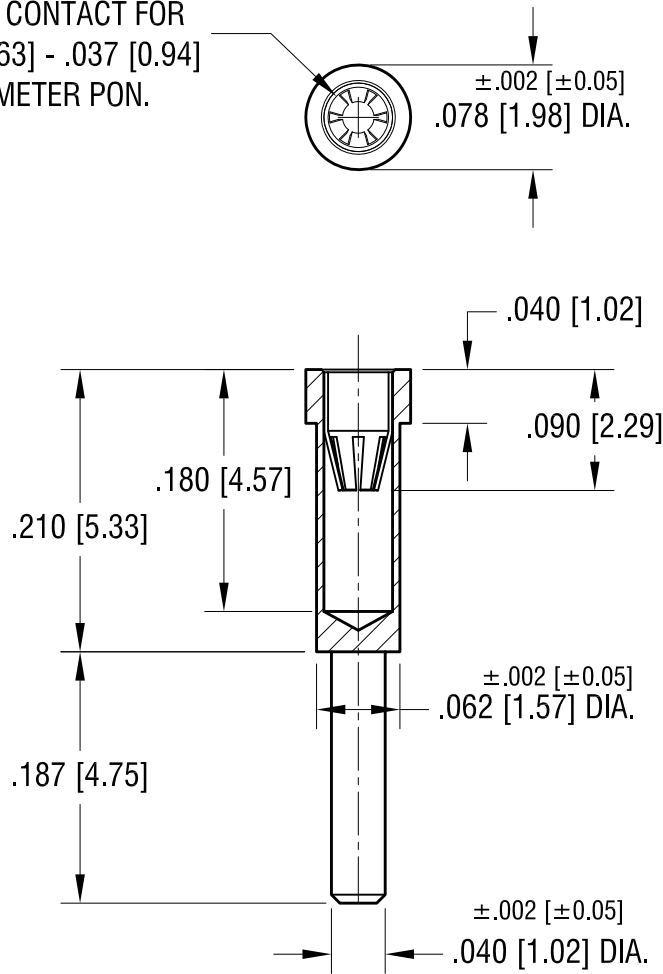


THIS DOCUMENT IS THE PROPERTY OF
KEYSTONE ELECTRONICS CORP. AND
SHALL NOT BE REPRODUCED, DISTRIBUTED
OR USED AS A BASIS FOR MANUFACTURE
WITHOUT PRIOR WRITTEN PERMISSION
FROM KEYSTONE ELECTRONICS CORP.

6-FINGERS CLOSED
ENTRY CONTACT FOR
.025 [0.63] - .037 [0.94]
DIAMETER PON.



NOTES:

1. SPRING CONTACT:
MAT'L - BERYLLIUM COPPER
FINISH - GOLD PLATE

BODY:
MAT'L - BRASS
FINISH - TIN/LEAD PLATE
2. MOUNTING HOLE DIA.: .065 [1.65]

KEYSTONE ELECTRONICS CORP.			
www.keyelco.com • ASTORIA, N.Y. 11105-2017 • Tel (718) 956-8900			
PART NAME			
MICRO JACK, SOLDER MOUNT			
MATERIAL			
AS NOTED			
FINISH		DRN BY	DATE
AS NOTED		BOONE	3.6.07
		APP'D	SCALE
		LN	7X
TOLERANCES	INCH	[MM]	CODE
DECIMAL	± .005	[± 0.13]	DWG NO.
ANGULAR	± 1°		
UNLESS OTHERWISE SPECIFIED			
			3592

4.12.11	CHANGE AS PER ECN 11-050	A
DATE	DESCRIPTION	REV.