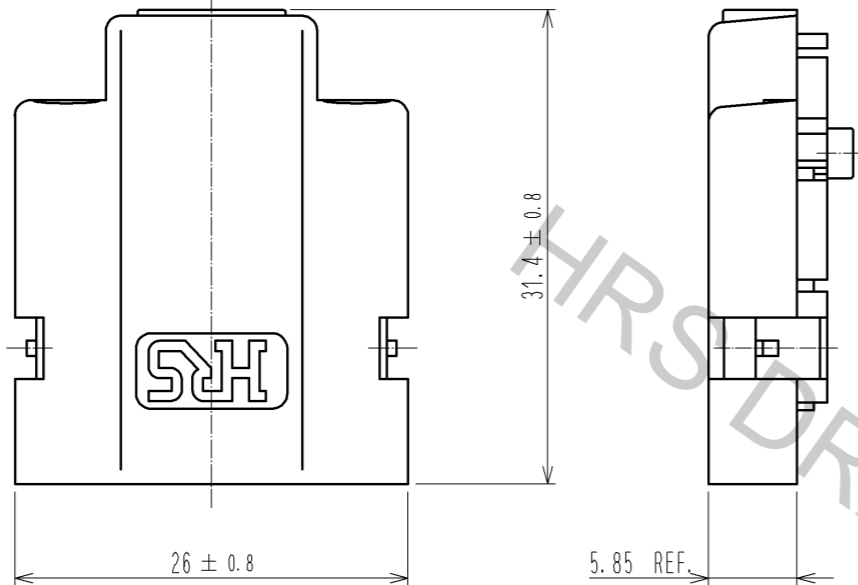


- NOTE 1. THIS PRODUCT IS DELIVERED SEPARATELY.  
 2 AS SHOWN IN THE FIGURE, THIS PRODUCT SHALL BE USED ASSEMBLED TO A CONNECTOR UNIT 'DH3+B-17S'. A CLAMP 'DH-17-CMB(6.3)' IS NEEDED WHEN ASSEMBLING THE UNIT.  
 3. THIS PRODUCT SHALL BE MATED WITH A RECEPTACLE 'DH60-17P+' WHICH ASSEMBLED LOCK SCREWS 'DH-LNA\*\*\*'.  
 4 A RECOMMENDED SCREW TIGHTENING TORQUE TO THE LOCK SCREWS TO BE FROM 0.06 TO 0.07 N · m.  
 5 A RECOMMENDED SCREW TIGHTENING TORQUE FOR COVERS TO BE FROM 0.1 TO 0.15 N · m.

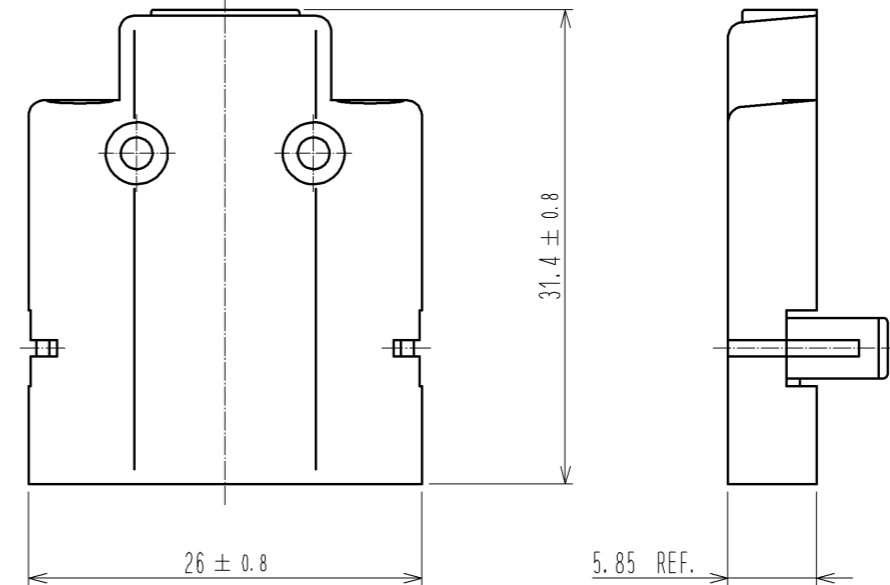
4	PA	UL94V-0 (BLACK)	6	STEEL	TRIVALENT BLACK CHROMATE
3	STAINLESS STEEL	PLATING:NICKEL 0.1 μm MIN	5	STEEL	OVER PLATING:NICKEL 2 μm MIN UNDER PLATING:COPPER 1 μm MIN
2	PC	UL94V-0 (BLACK)			M2×0.4
1					
NO.	MATERIAL	FINISH . REMARKS	NO.	MATERIAL	FINISH . REMARKS
UNITS mm		SCALE 2 : 1	COUNT △	DESCRIPTION OF REVISIONS	
DESIGNED		CHECKED		DATE	
APPROVED : KN. ICHIKAWA		10.07.05		DRAWING NO. EDC3-126590-00	
CHECKED : KN. ICHIKAWA		10.07.05		PART NO. DH-17-CV2B	
DESIGNED : TU. TANIGUCHI		10.07.05		CODE NO. CL244-0013-3-00	
DRAWN : TU. TANIGUCHI		10.07.05		1/2	

Apr.1.2017 Copyright 2017 HIROSE ELECTRIC CO., LTD. All Rights Reserved.

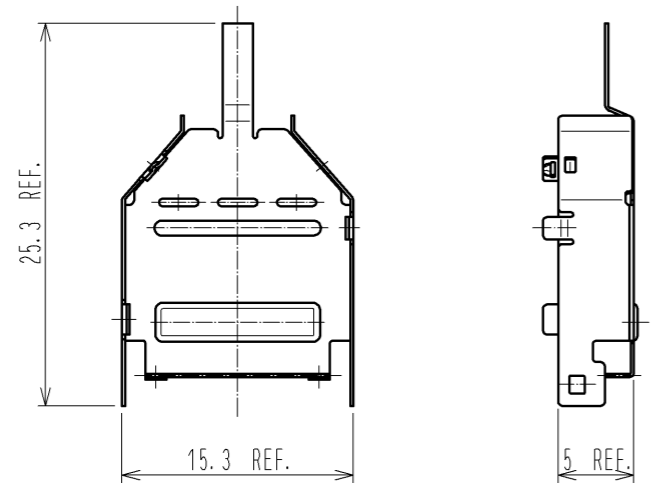
REF No. ①



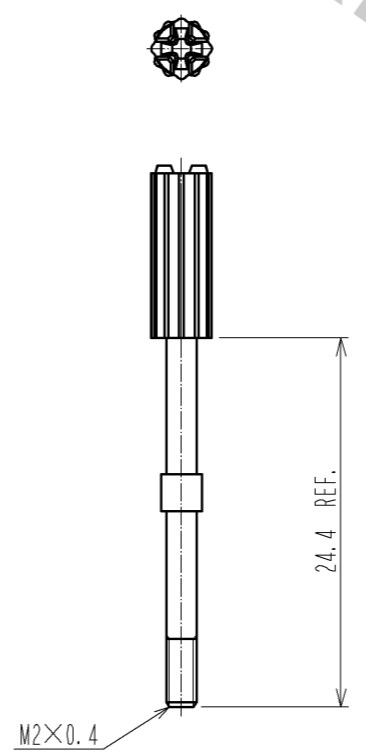
REF No. ②



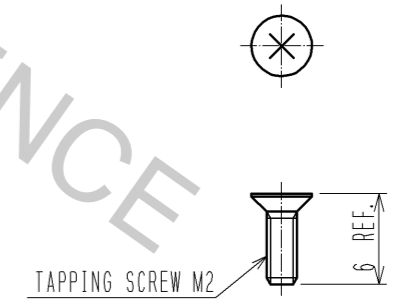
REF No. ③



REF No. ④ ⑤



REF No. ⑥



<b>HRS</b>	DRAWING NO.	EDC3-126590-00	△ 2/2
	PART NO.	DH-17-CV2B	
	CODE NO.	CL244-0013-3-00	