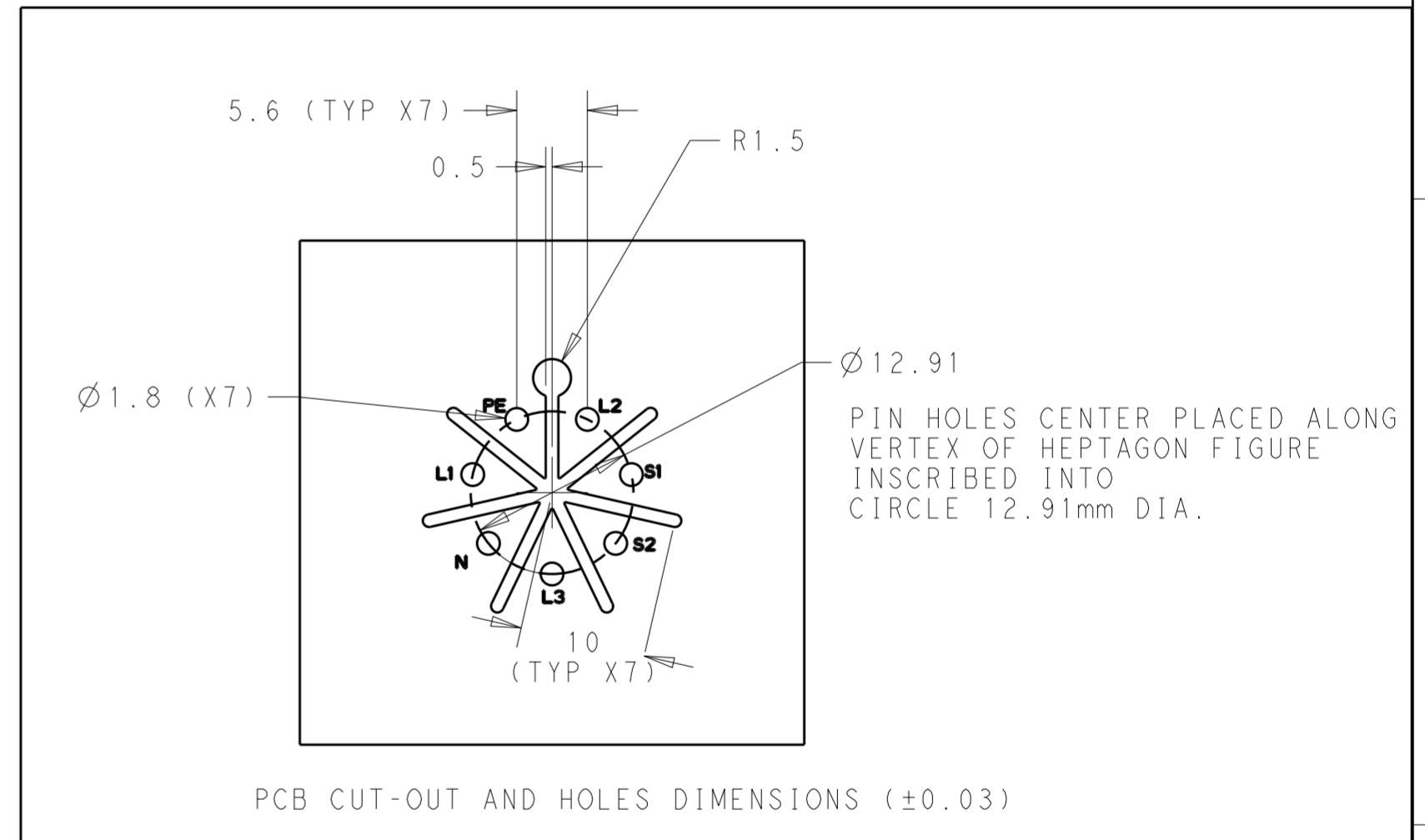
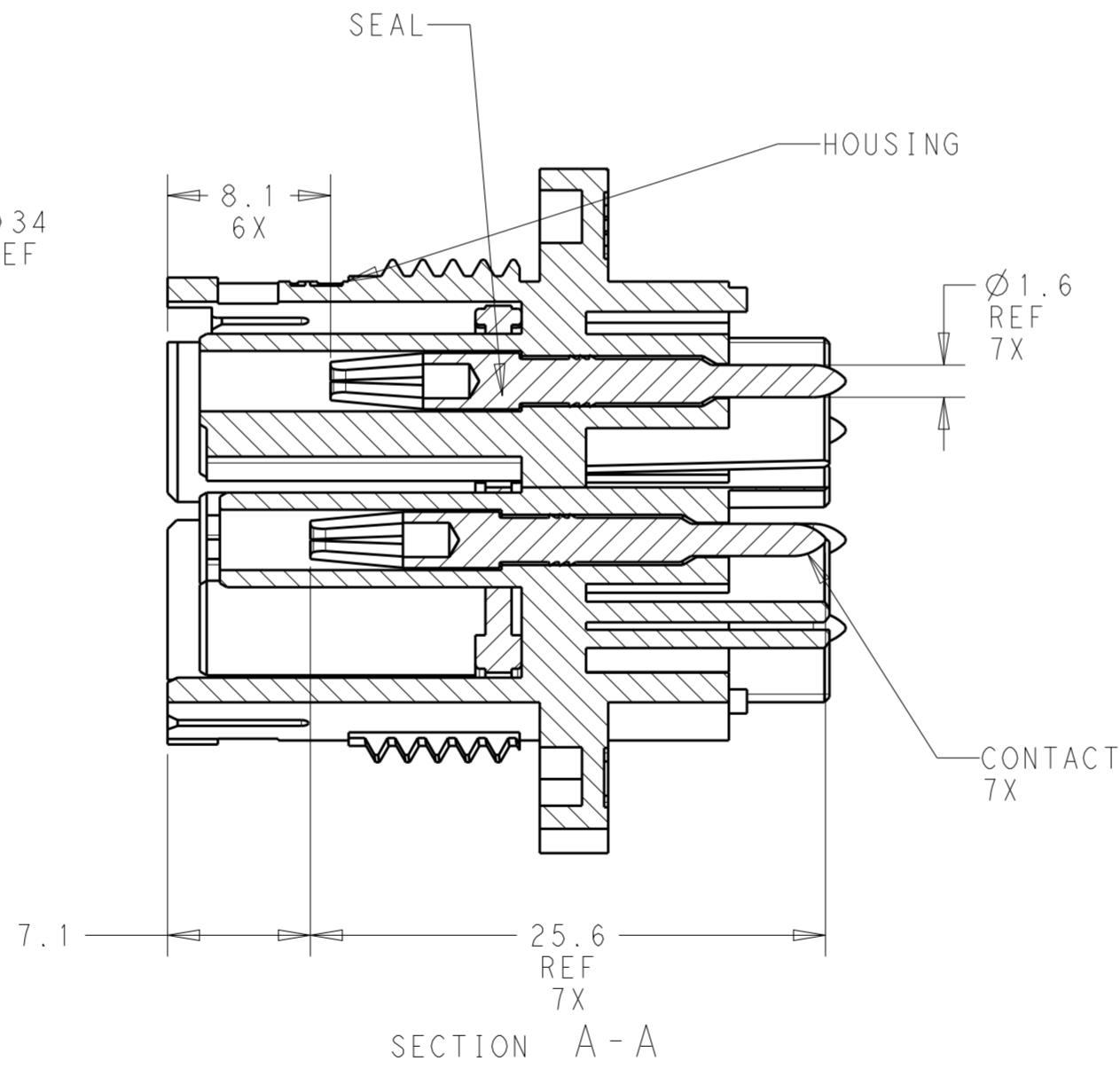
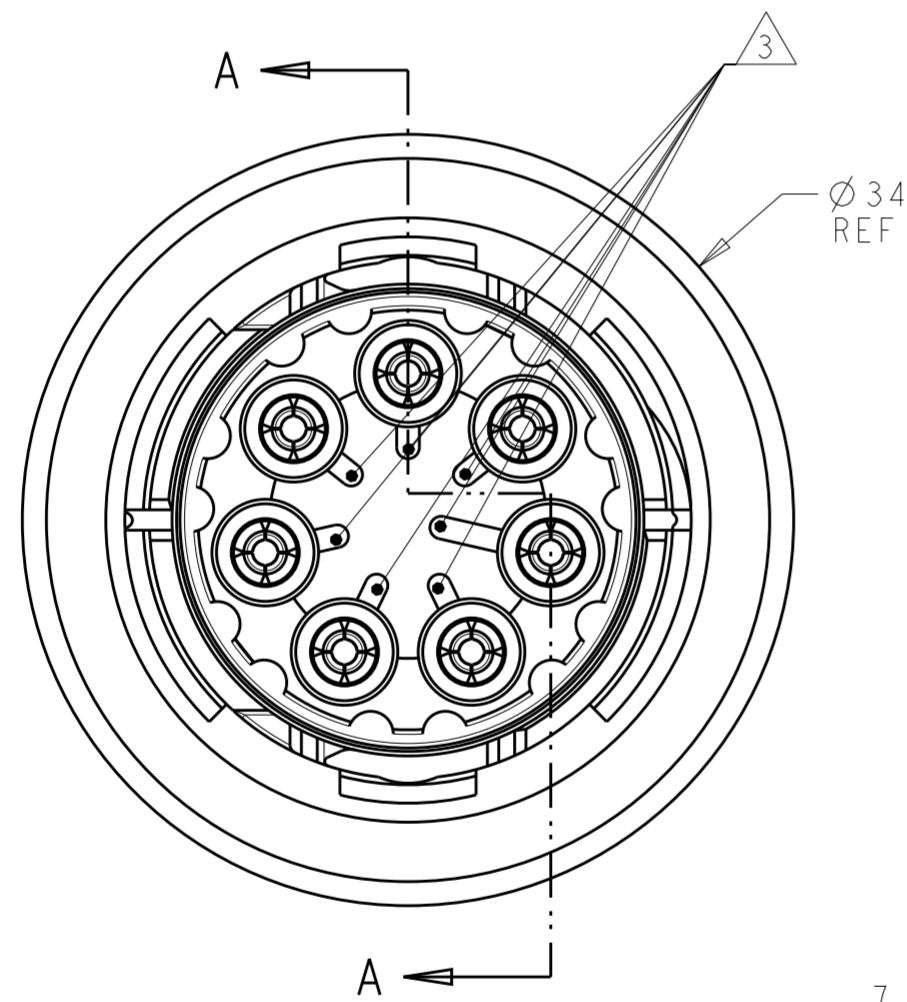
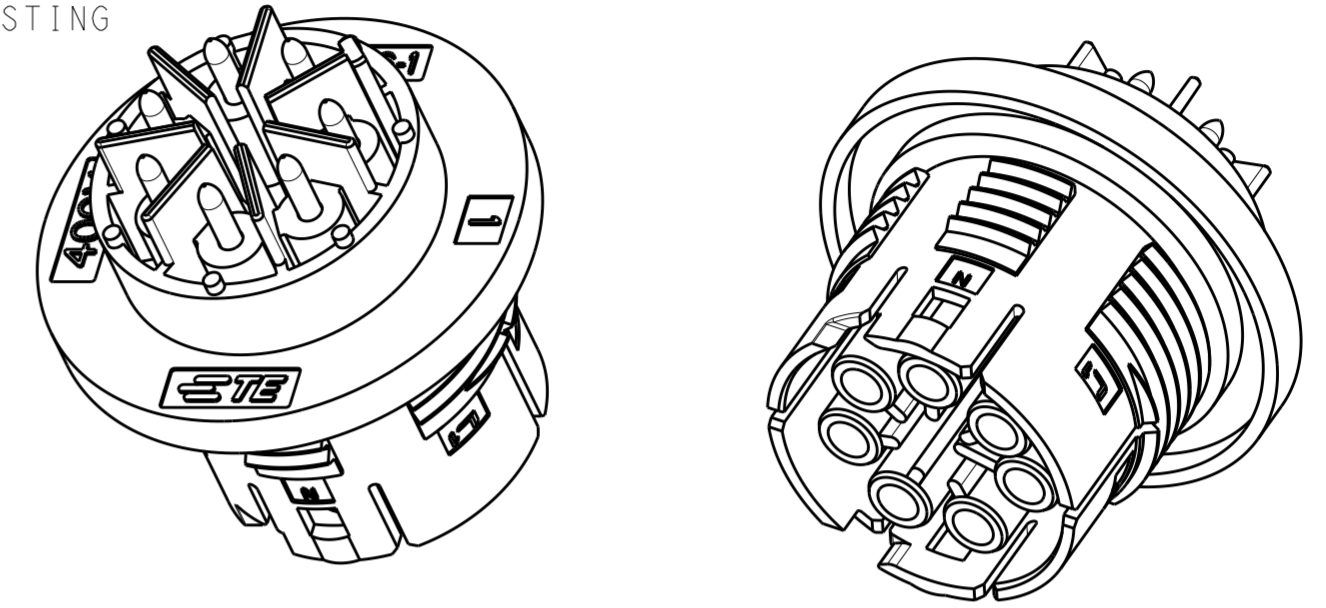
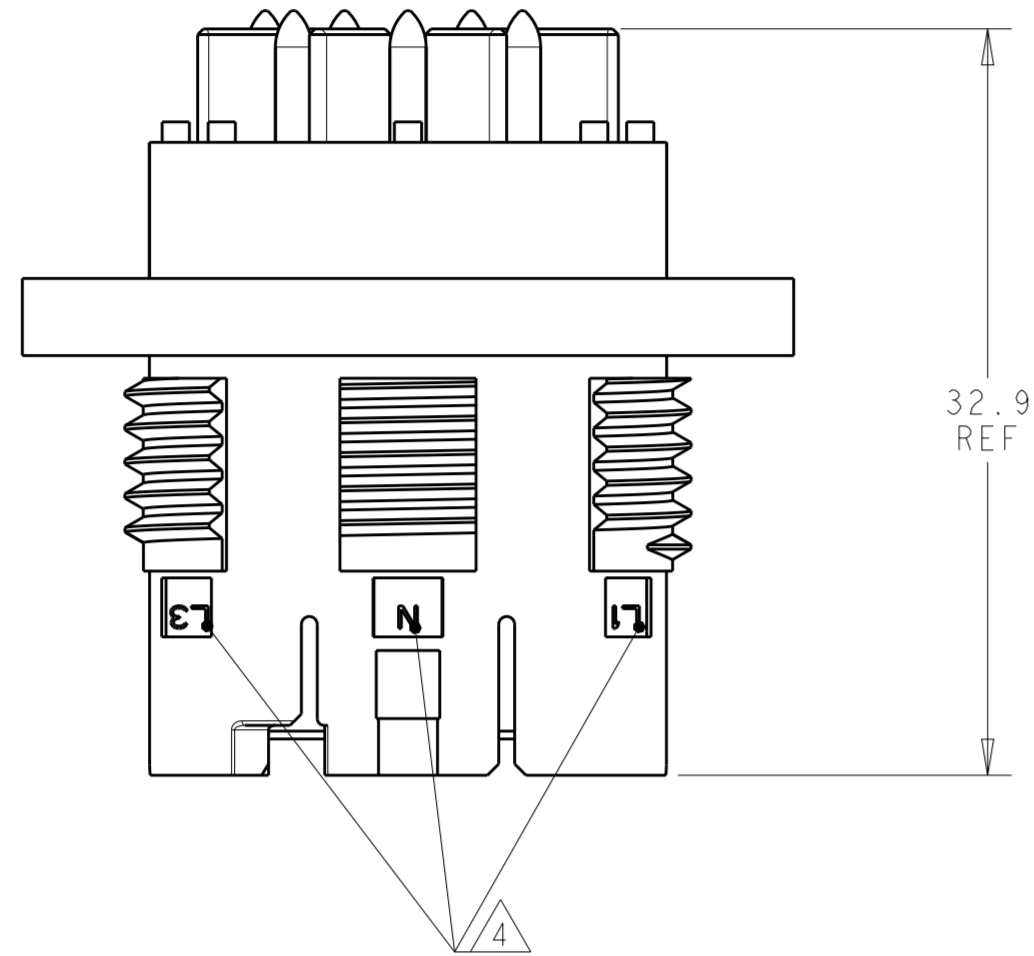


THIS DRAWING IS UNPUBLISHED. RELEASED FOR PUBLICATION
 © COPYRIGHT copyright.d8Te- ALL RIGHTS RESERVED.

REVISIONS				
P	LTR	DESCRIPTION	DATE	APVD
A		REVISED PER ECO-17-008804	19JUN2017	RK PO
				JL

- NOTES:
1. MATERIAL: GLASS FILLED PBT, COLOR: BLACK
 2. MUST COMPLY WITH DIRECTIVE 2002/95/EC (ROHS)
 3. ALL POLARIZATIONS ARE REF ONLY
 4. CIRCUIT I.D.
 5. TE PART NUMBER
 6. THIS PRODUCT HAS NOT COMPLETED VALIDATION TESTING
 7. NOT YET TOOLED FOR PRODUCTION

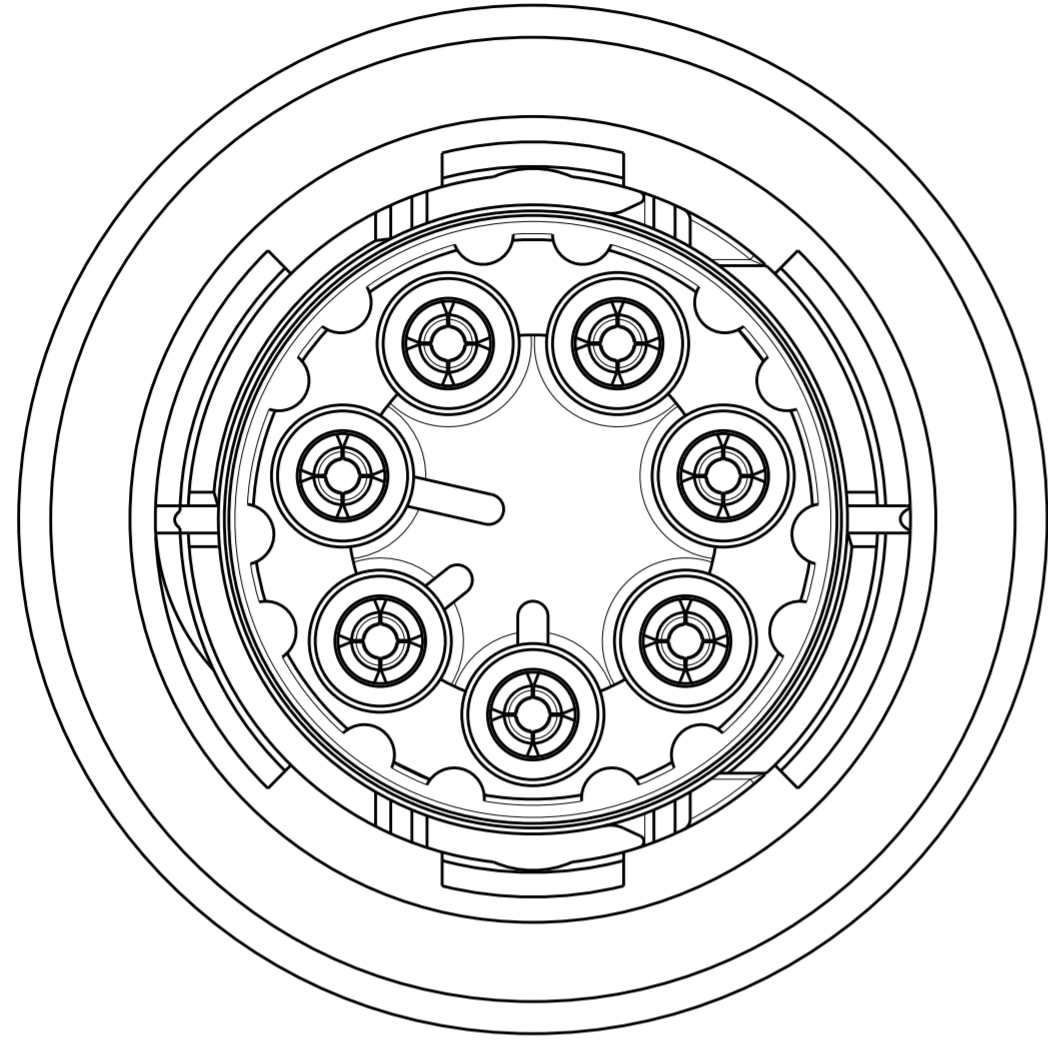


△	E	2307526-5
△	D	2307526-4
△	C	2307526-3
	B	2307526-2
	A	2307526-1
POLARIZATION KEYING		PART NO.

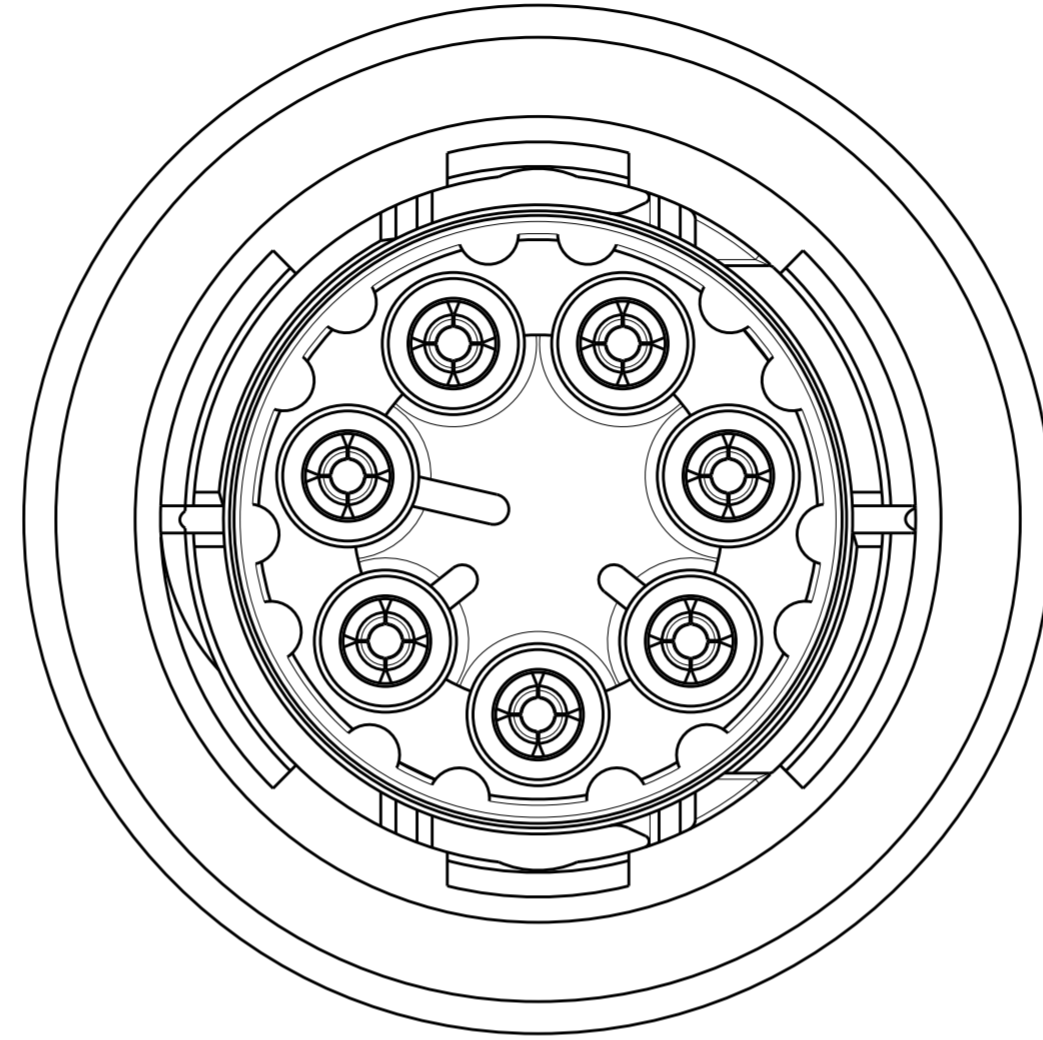
THIS DRAWING IS A CONTROLLED DOCUMENT.		DWN 05OCT2016 RAGHAVENDRA K	TE Connectivity	
		CHK 05OCT2016 LATORRE JUSTIN		
DIMENSIONS:		APVD 05OCT2016 LATORRE JUSTIN	NAME NECTOR M 7P SEALED SOCKET PCB ASSEMBLY	
mm	TOLERANCES UNLESS OTHERWISE SPECIFIED:	PRODUCT SPEC	SIZE	CAGE CODE
	0 PLC ±.5	APPLICATION SPEC	A2	-
	1 PLC ±.13	WEIGHT	DRAWING NO G-2307526	
	2 PLC ±.13	CUSTOMER DRAWING	SCALE	SHEET
	3 PLC ±.		5:1	1 OF 2
	4 PLC ±.			REV A
	ANGLES ±.			
	FINISH			

THIS DRAWING IS UNPUBLISHED. RELEASED FOR PUBLICATION
 © COPYRIGHT copyright.dble- ALL RIGHTS RESERVED.

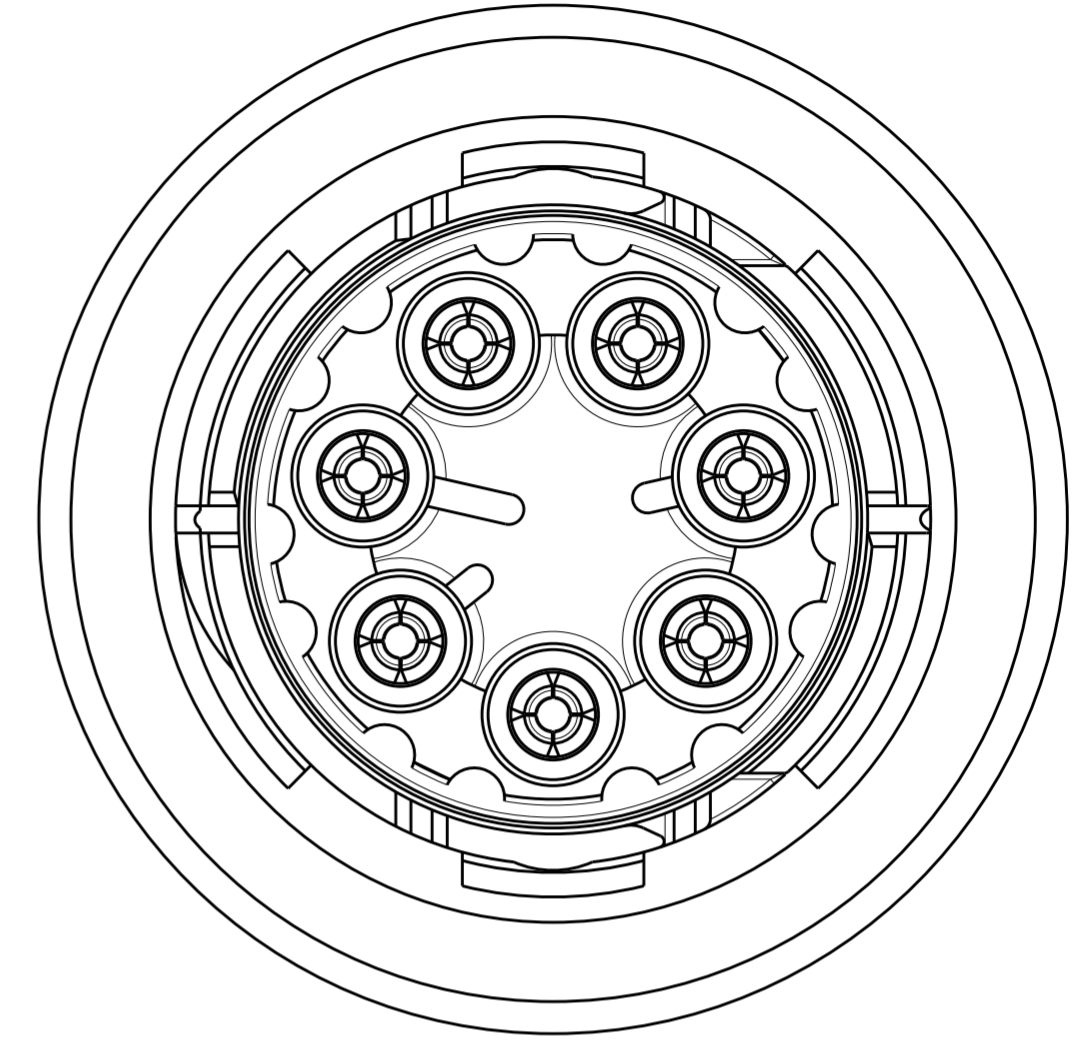
REVISIONS					
P	LTR	DESCRIPTION	DATE	DWN	APVD
-		SEE SHEET 1	-	-	-



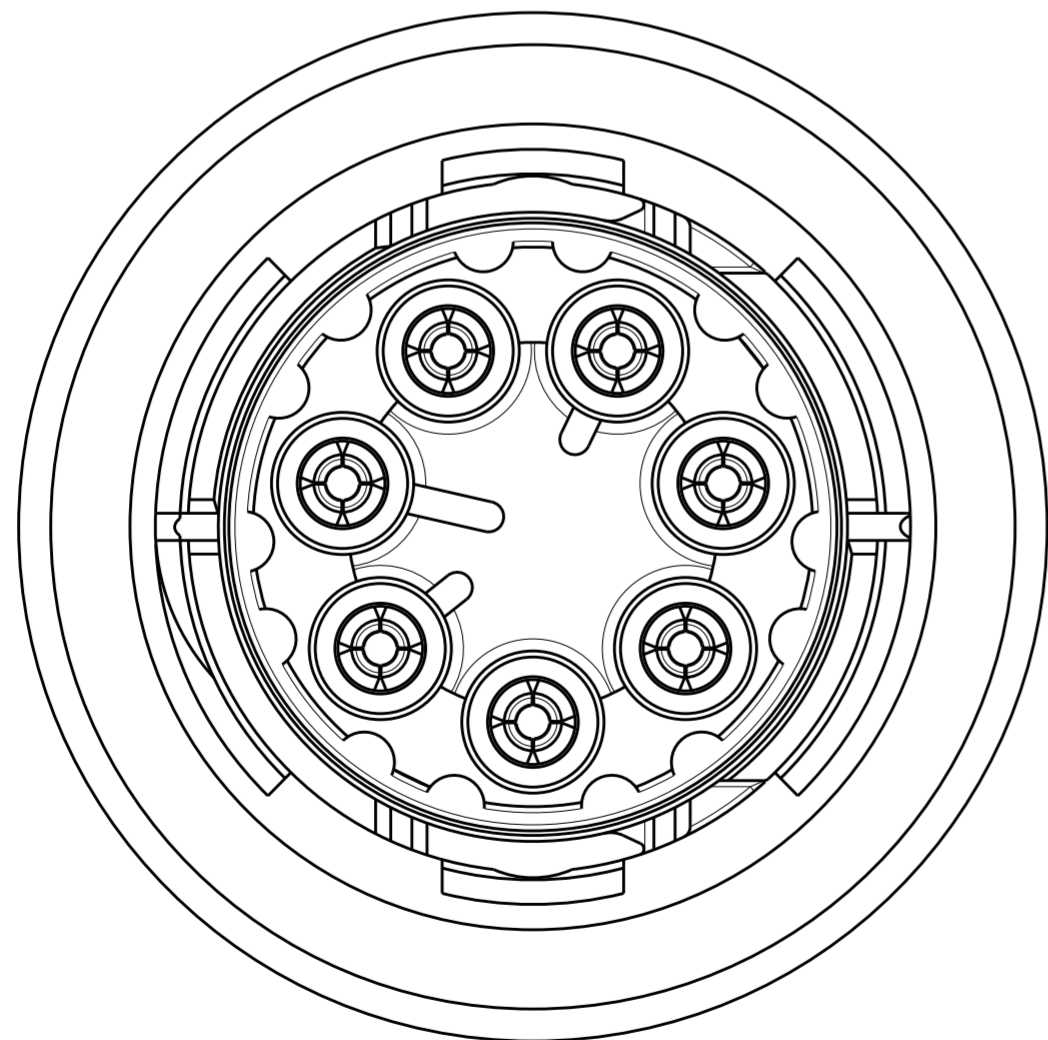
POLARIZATION TYPE "A"
P/N 2307526-1



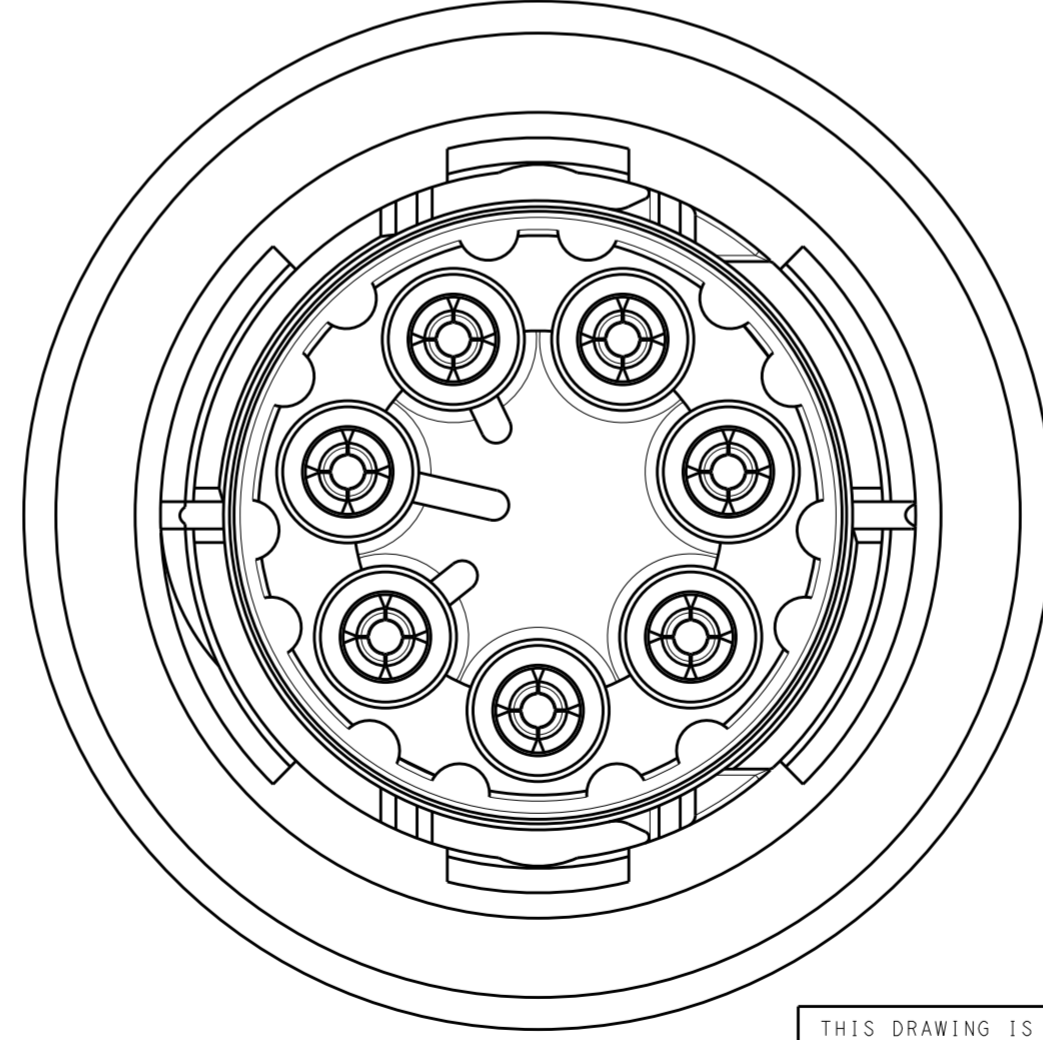
POLARIZATION TYPE "B"
P/N 2307526-2



POLARIZATION TYPE "C"
P/N 2307526-3



POLARIZATION TYPE "D"
P/N 2307526-4



POLARIZATION TYPE "E"
P/N 2307526-5

THIS DRAWING IS A CONTROLLED DOCUMENT.		DWN RAVLS 05AUG2016	STE TE Connectivity																						
DIMENSIONS: mm		CHK LATORRE JUSTIN 05AUG2016																							
TOLERANCES UNLESS OTHERWISE SPECIFIED:		APVD LATORRE JUSTIN 05AUG2016	NAME NECTOR M 7P SEALED SOCKET PCB ASSEMBLY																						
<table border="1"> <tr><td>0 PLC</td><td>±</td><td>5</td></tr> <tr><td>1 PLC</td><td>±</td><td>5</td></tr> <tr><td>2 PLC</td><td>±</td><td>13</td></tr> <tr><td>3 PLC</td><td>±</td><td>13</td></tr> <tr><td>4 PLC</td><td>±</td><td>13</td></tr> <tr><td>ANGLES</td><td>±</td><td></td></tr> <tr><td>FINISH</td><td>±</td><td></td></tr> </table>		0 PLC	±	5	1 PLC	±	5	2 PLC	±	13	3 PLC	±	13	4 PLC	±	13	ANGLES	±		FINISH	±		PRODUCT SPEC -	RESTRICTED TO -	
0 PLC	±	5																							
1 PLC	±	5																							
2 PLC	±	13																							
3 PLC	±	13																							
4 PLC	±	13																							
ANGLES	±																								
FINISH	±																								
MATERIAL -		APPLICATION SPEC -	SIZE A2	CAGE CODE -																					
		WEIGHT -	DRAWING NO C-2307526																						
		CUSTOMER DRAWING	SCALE 5:1	SHEET 2 OF 2																					
			REV A																						