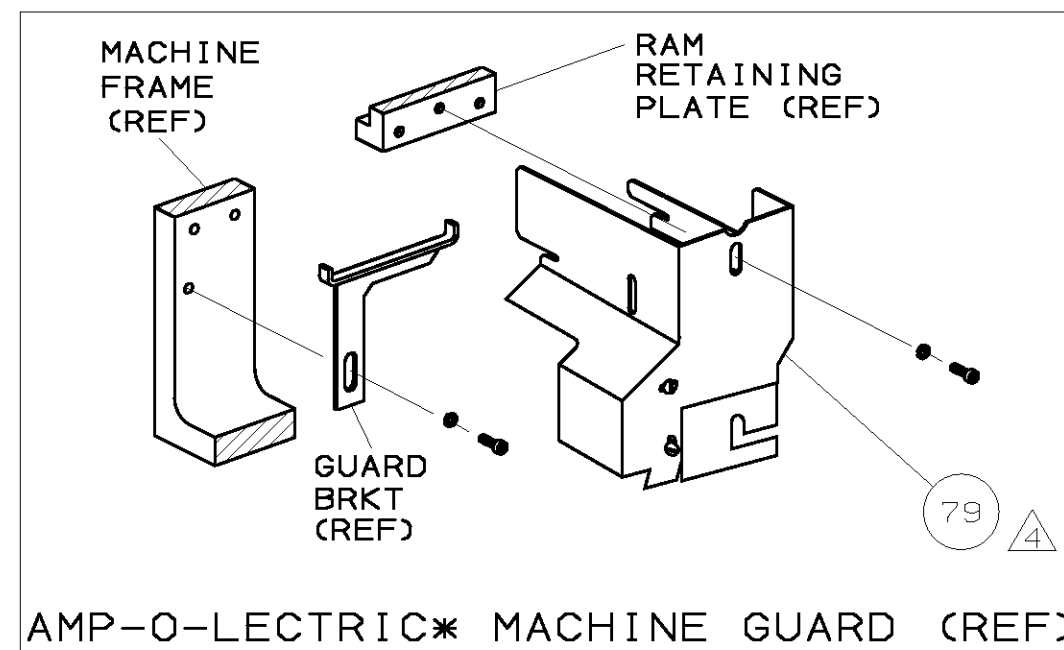
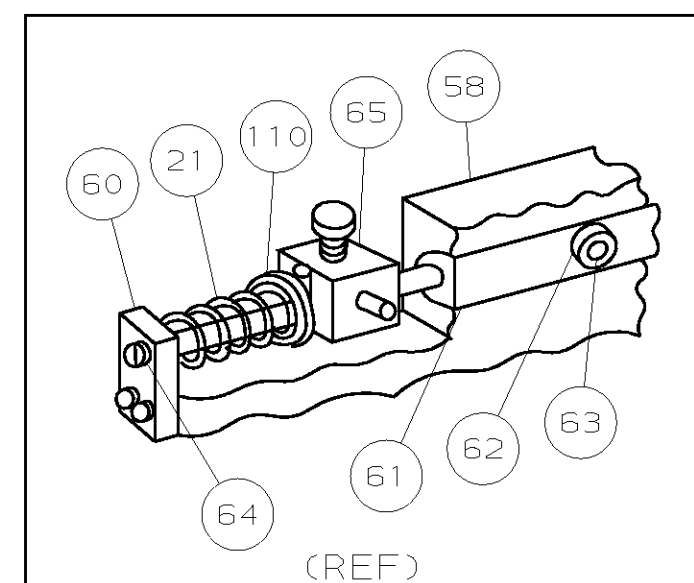
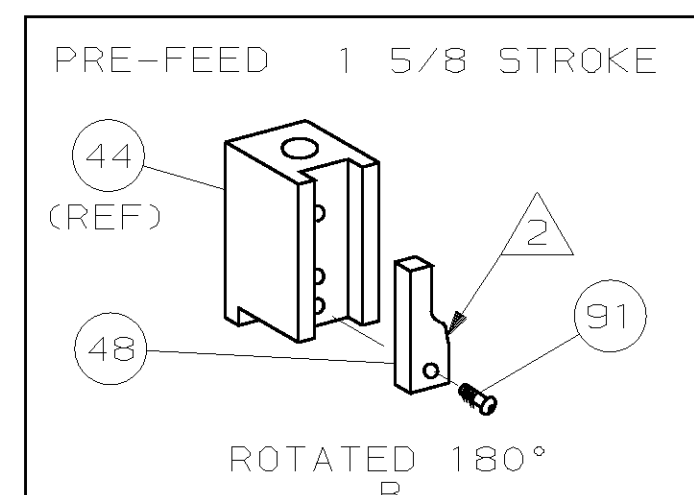
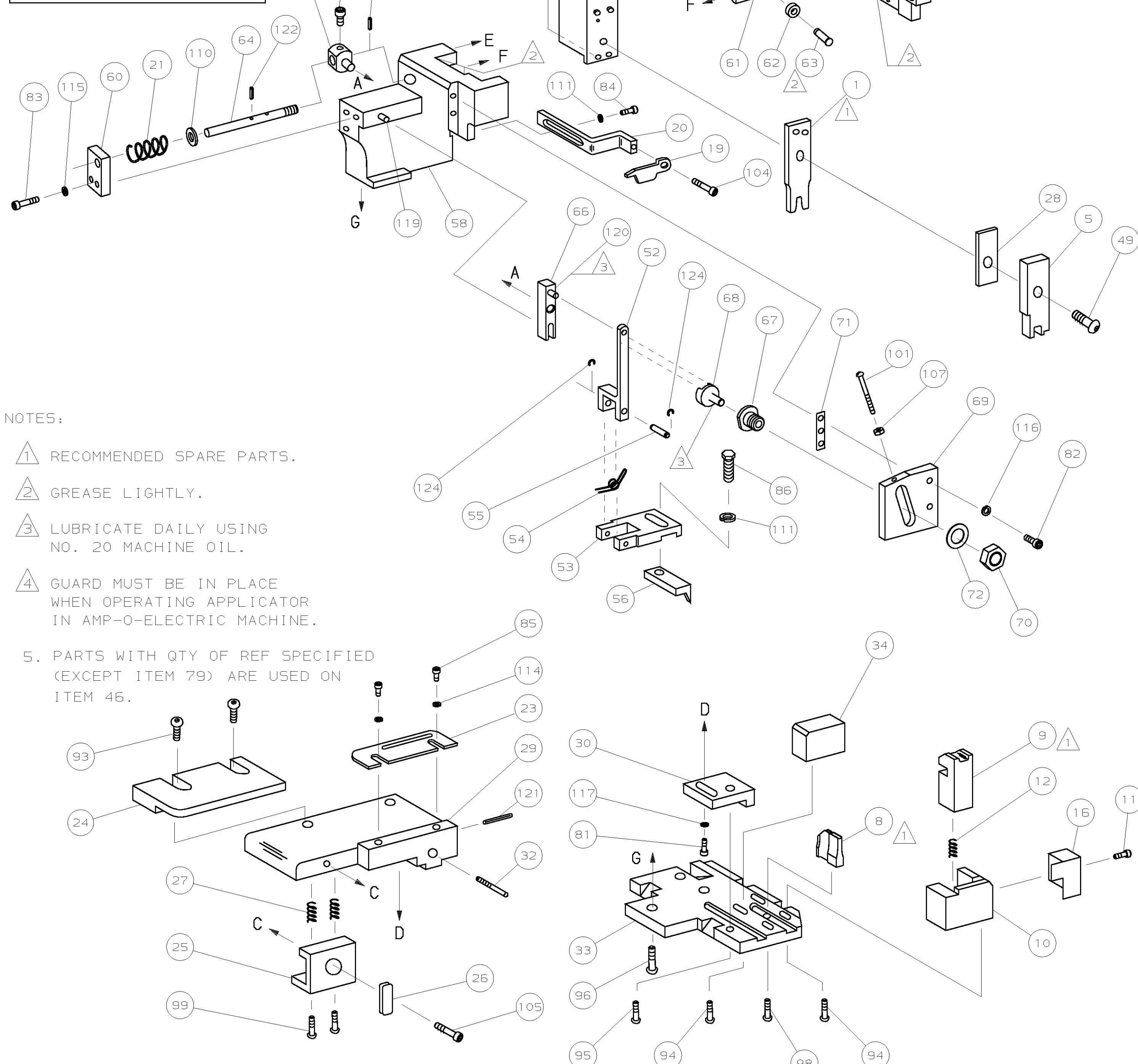


THIS DRAWING IS A CONTROLLED DOCUMENT.



AMP-O-ELECTRIC* MACHINE GUARD (REF)



- NOTES:
- 1 RECOMMENDED SPARE PARTS.
 - 2 GREASE LIGHTLY.
 - 3 LUBRICATE DAILY USING NO. 20 MACHINE OIL.
 - 4 GUARD MUST BE IN PLACE WHEN OPERATING APPLICATOR IN AMP-O-ELECTRIC MACHINE.

5. PARTS WITH QTY OF REF SPECIFIED (EXCEPT ITEM 79) ARE USED ON ITEM 46.

THIS DRAWING IS UNRELEASED.
 RELEASED FOR PRODUCTION 21 MAR 2000
 BY AMP INCORPORATED. ALL RIGHTS RESERVED.
 © COPYRIGHT 2000
 AMP 1756 REV 3-87

* Trademark of AMP Incorporated

REF	PART NO	DESCRIPTION	ITEM NO
REF	21045-3	RING, RET "C" (.187ø) FEED FINGER PIN	124
REF	5-21028-1	PIN, SLT SPR (.125øx.50) ADJ ROD	123
1	4-21028-0	PIN, SLT SPR (.093øx.75) ST GUIDE PL	121
REF	1-21030-1	PIN, DOWEL (.187øx.50) LEVER	120
REF	1-21030-6	PIN, DOWEL (.187øx1.25) HOUSING	119
1	21024-5	WASHER, LOCK (NO.10) ADJ BLOCK	117
REF	21024-5	WASHER, LOCK (NO.10) ADJ PLATE	116
REF	21024-5	WASHER, LOCK (NO.10) FEED GUIDE ROD	115
2	21024-2	WASHER, LOCK (NO.4) FRONT STRIP GUIDE	114
1	7-21002-9	BOLT, CRIMPER (5/16-24x1.00)	49
1	690602-6	CAM, PRE-FEED 1 5/8 STROKE	48
1	459456-1	APPLICATOR, BASIC (SUBASSY)	46
REF	21899-4	WASHER, FLAT (5/16 DIA) SCREW ADJ	110
1	690191-1	PLUG, NYLON	45
1	455673-1	RAM	44
1	690125-1	WASHER, LAMINATED	43
REF	21018-5	NUT, HEX (6-32) FEED ADJ	107
1	690124-1	WASHER, RAM	42
1	690223-1	DISC, SPACER	41
1	23241-6	BALL, STEEL	40
1	690170-1	SPRING, COMPRESSION	39
1	22353-8	SCR, SHLD (.187øx.25) DRAG LEVER	38
1	456567-1	SCR, SHLD (.188øx.125) STRIPPER	37
1	21009-2	SCR, SKT SET (1/4-20x.25) LOC-WEL) RAM	36
2	21017-2	SCR, DRIVE (#2x.19) ID PLATE	35
REF	6-23715-5	SCR, PAN HD (6-32x1.50) FEED ADJ	101
1	1-690141-0	DISC, WIRE	34
1	461264-1	PLATE, IDENTIFICATION	33
2	3-21002-0	SCR, BHC (10-32x.88) DRAG	32
1	22733-8	SCR, BHC (8-32x.38) LOC-WEL) ANVIL	31
REF	2-21002-9	SCR, BHC (10-32x.75) CAP	99
REF	2-22733-8	SCR, BHC (1/4-20x.62) HOUSING	98
REF	2-21002-7	SCR, BHC (10-32x.50) SG ADJ BLOCK	97
4	2-21002-2	SCR, BHC (8-32x.50) SHEAR	96
2	2-21002-2	SCR, BHC (8-32x.50) R STRIP GUIDE	95
1	1-21002-7	SCR, BHC (6-32x.38) CAM	94
1	690603-1	SPRING, ASSIST	87
1	23030-1	SCR, SKT CAP (6-32x.25) CP DISC	86
REF	458109-1	WASHER, SPECIAL	85
REF	690517-1	SPACER	84
REF	22594-8	NUT, HEX	83
REF	240628-1	PLATE, ADJUSTMENT	82
REF	240626-1	SHAFT, PIVOT	81
REF	240633-1	BUSHING	80
REF	455680-1	LEVER, INTERMEDIATE	79
REF	240629-1	BLOCK, PIVOT	78
REF	240632-2	SCREW, ADJUSTMENT FEED ROD	77
REF	240659-3	PIN, CAM ROLLER	76
REF	240658-1	ROLLER, CAM	75
REF	454398-2	ROD, FEED	74
REF	454178-1	GUIDE, FEED ROD	73
REF	455755-1	GUARD, WINDOW	72
1	5-22280-0	SPRING, SHEAR	71
1	690461-1	STOP, SHEAR	70
1	690459-5	HOLDER, SHEAR (FRONT)	69
1	454276-8	SHEAR, FLOAT (FRONT)	68
1	5-683403-0	ANVIL	67
1	1-455889-4	DEPRESSOR, SHEAR (FRONT)	66
1	456411-2	CRIMPER, WIRE	65
1	458950-1	ARM, STRIPPER	64
1	458949-1	STRIPPER	63
1	460801-4	HOLDER, TERMINAL	62
1	691667-3	GUARD, CHIP (FRONT)	61
1	2-2284-9	SPRING, FEED RETURN	60
1	2-2284-9	SPRING, FEED RETURN	59
1	458950-1	ARM, STRIPPER	58
1	458949-1	STRIPPER	57
1	2-455888-5	SPACER, FRONT SHEAR DEP	56
1	1-22284-0	SPRING, DRAG	55
1	240793-1	LEVER, DRAG RELEASE	54
1	240792-1	DRAG, STOCK	53
1	9-690504-7	GUIDE, STRIP (REAR)	52
1	690438-1	GUIDE, STRIP (FRONT)	51
1	2-22603-0	SCR, HEX HEAD (8-32x.31) FEED FINGER	50
2	1-21000-3	SCR, SKT CAP (4-40x.25) F STRIP GUIDE	49
1	2-21000-7	SCR, SKT CAP (8-32x.50) STRIPPER	48
REF	3-21000-7	SCR, SKT CAP (10-32x.75) FEED ROD GD	47
REF	3-21000-6	SCR, SKT CAP (10-32x.62) FEED ADJ BLK	46
1	3-21000-4	SCR, SKT CAP (10-32x.38) SG ADJ BLK	45
REF	3-21000-4	SCR, SKT CAP (10-32x.38) PIVOT BLOCK	44
REF	455755-1	GUARD, WINDOW	43
1	690603-1	SPRING, ASSIST	42
1	23030-1	SCR, SKT CAP (6-32x.25) CP DISC	41
REF	458109-1	WASHER, SPECIAL	40
REF	690517-1	SPACER	39
REF	22594-8	NUT, HEX	38
REF	240628-1	PLATE, ADJUSTMENT	37
REF	240626-1	SHAFT, PIVOT	36
REF	240633-1	BUSHING	35
REF	455680-1	LEVER, INTERMEDIATE	34
REF	240629-1	BLOCK, PIVOT	33
REF	240632-2	SCREW, ADJUSTMENT FEED ROD	32
REF	240659-3	PIN, CAM ROLLER	31
REF	240658-1	ROLLER, CAM	30
REF	454398-2	ROD, FEED	29
REF	454178-1	GUIDE, FEED ROD	28
1	5-22280-0	SPRING, SHEAR	27
1	690461-1	STOP, SHEAR	26
1	690459-5	HOLDER, SHEAR (FRONT)	25
1	454276-8	SHEAR, FLOAT (FRONT)	24
1	5-683403-0	ANVIL	23
1	1-455889-4	DEPRESSOR, SHEAR (FRONT)	22
1	456411-2	CRIMPER, WIRE	21
1	458950-1	ARM, STRIPPER	20
1	458949-1	STRIPPER	19
1	460801-4	HOLDER, TERMINAL	18
1	691667-3	GUARD, CHIP (FRONT)	17
1	2-2284-9	SPRING, FEED RETURN	16
1	2-2284-9	SPRING, FEED RETURN	15
1	458950-1	ARM, STRIPPER	14
1	458949-1	STRIPPER	13
1	2-455888-5	SPACER, FRONT SHEAR DEP	12
1	1-22284-0	SPRING, DRAG	11
1	240793-1	LEVER, DRAG RELEASE	10
1	240792-1	DRAG, STOCK	9
1	9-690504-7	GUIDE, STRIP (REAR)	8
1	690438-1	GUIDE, STRIP (FRONT)	7
1	2-22603-0	SCR, HEX HEAD (8-32x.31) FEED FINGER	6
2	1-21000-3	SCR, SKT CAP (4-40x.25) F STRIP GUIDE	5
1	2-21000-7	SCR, SKT CAP (8-32x.50) STRIPPER	4
REF	3-21000-7	SCR, SKT CAP (10-32x.75) FEED ROD GD	3
REF	3-21000-6	SCR, SKT CAP (10-32x.62) FEED ADJ BLK	2
1	3-21000-4	SCR, SKT CAP (10-32x.38) SG ADJ BLK	1
REF	3-21000-4	SCR, SKT CAP (10-32x.38) PIVOT BLOCK	1
REF	455755-1	GUARD, WINDOW	1

QTY	PART NO	DESCRIPTION	ITEM NO
1	690603-1	SPRING, ASSIST	87
1	23030-1	SCR, SKT CAP (6-32x.25) CP DISC	86
REF	458109-1	WASHER, SPECIAL	85
REF	690517-1	SPACER	84
REF	22594-8	NUT, HEX	83
REF	240628-1	PLATE, ADJUSTMENT	82
REF	240626-1	SHAFT, PIVOT	81
REF	240633-1	BUSHING	80
REF	455680-1	LEVER, INTERMEDIATE	79
REF	240629-1	BLOCK, PIVOT	78
REF	240632-2	SCREW, ADJUSTMENT FEED ROD	77
REF	240659-3	PIN, CAM ROLLER	76
REF	240658-1	ROLLER, CAM	75
REF	454398-2	ROD, FEED	74
REF	454178-1	GUIDE, FEED ROD	73

CRIMPING DATA				APPLICATOR WILL APPLY	
PAD LTR	CRIMP HEIGHT	WIRE SIZE	WIRE STRIP LENGTH		
A	.098	14			556135-1
B	.091	16			556883-2
C	.087	18			
D	NOT USED				
CRIMP SIZE	TYPE	FEED	APPL INST		
WIRE .140	F	.730	AI 8040		
INSUL -	-				
WIRE RANGE	INSULATION RANGE	MACHINE NO			
14-18	-	354500-1			

REMARKS: BENCH MODEL G PRE-FEED