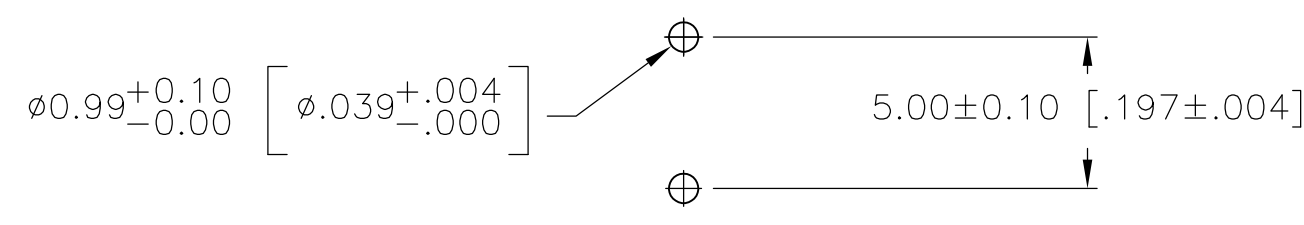
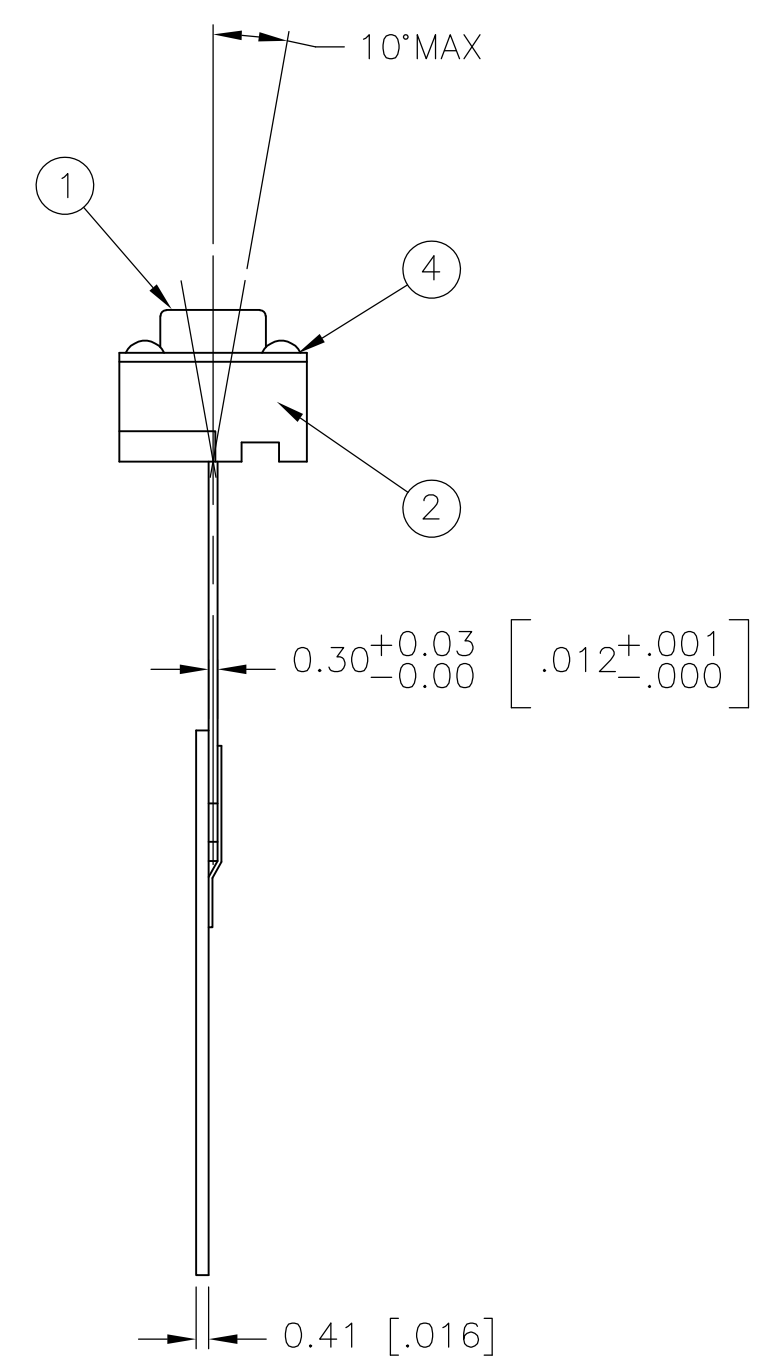
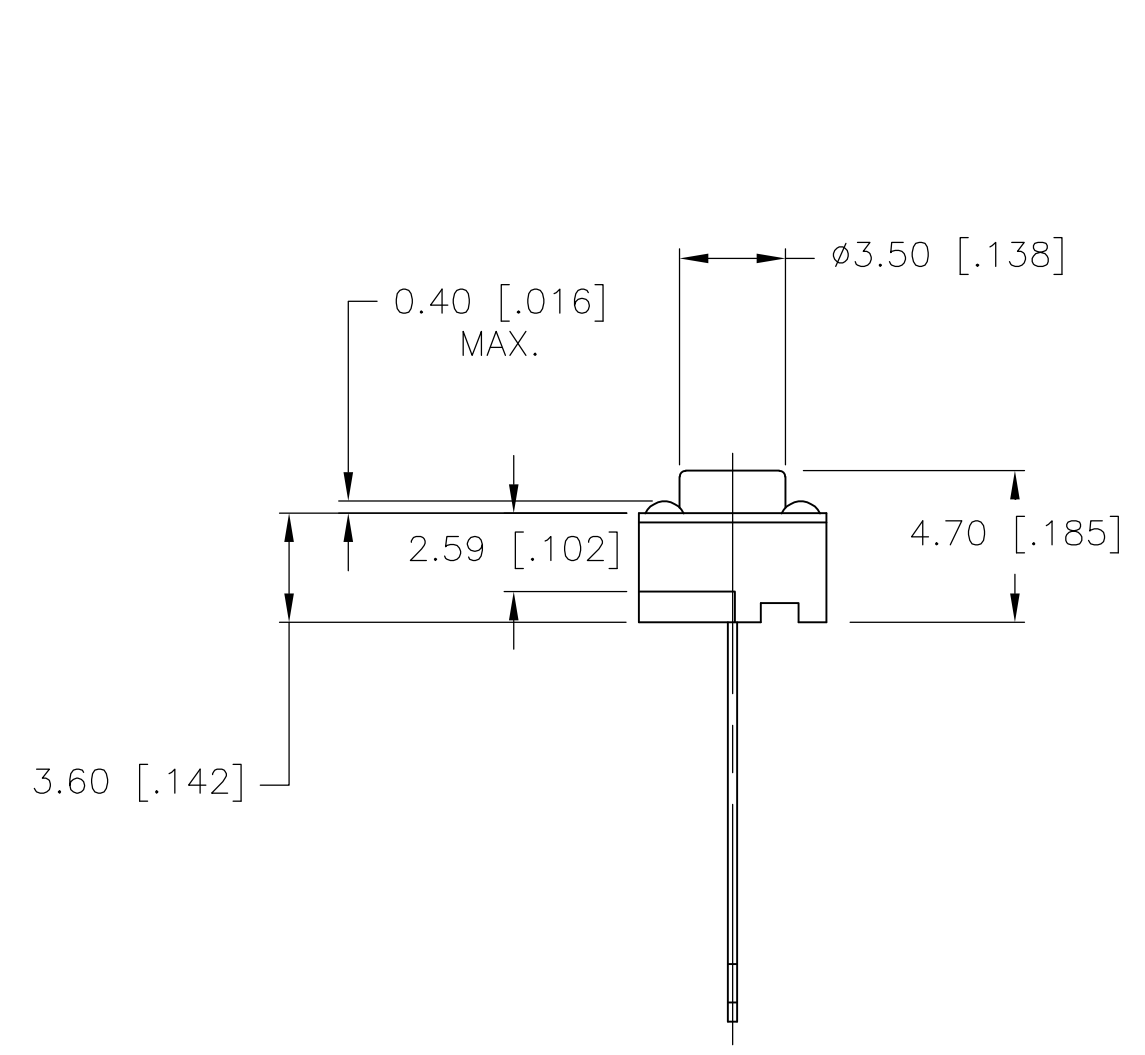
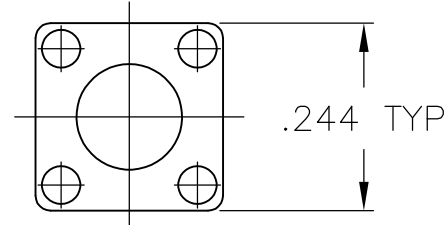
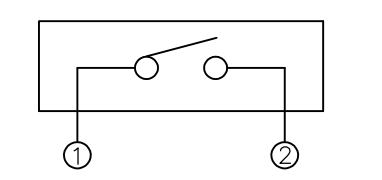


LOC		DIST		REVISIONS			
P	LTR	DESCRIPTION	DATE	DN	APVD		
B		ECO-07-00908	02JUL07	MB	MS		



RECOMMENDED HOLE LAYOUT



CIRCUIT DIAGRAM

SPECIFICATIONS:
MATERIALS:
 CASE: PBT UL94HB, BLACK.
 COVER: STEEL, TIN PLATE.
 ACTUATOR BUTTON: NYLON 6/6 UL94HB, WHITE
 MOVING CONTACT: PHOS BRONZE, SILVER
 FIXED CONTACT/TERMINAL: BRASS, SILVER OVER NICKEL.

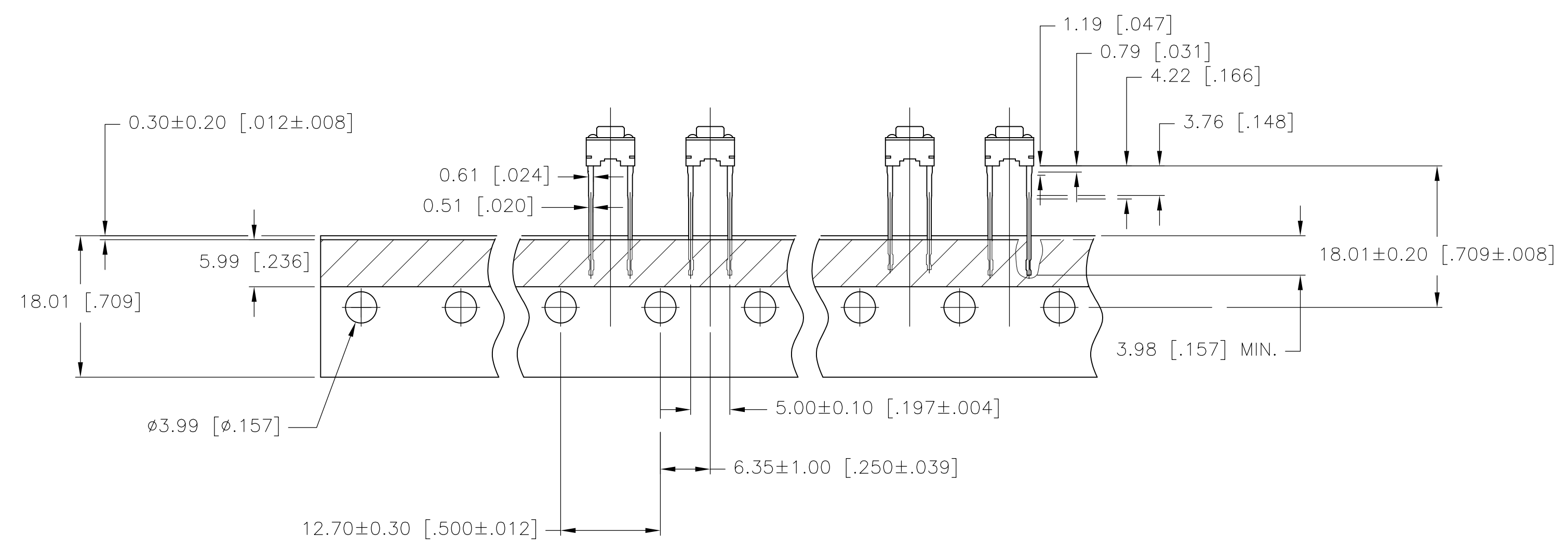
ELECTRICAL:
 MAX CONTACT RATING: 50 MILLIAMPS @ 24V DC
 MIN CONTACT RATING: 10 MICROAMPS @ 1V DC
 CONTACT RESISTANCE: 100 MILLIOHMS MAX.
 INSULATION RESISTANCE: 100 MEGOHMS MIN. @ 100 VDC.
 DIELECTRIC STRENGTH: 500 VAC 50/60 Hz FOR 1 MINUTE
 LIFE EXPECTANCY: 100,000 CYCLES.

MECHANICAL:
 ACTUATION FORCE: 160 ± 50gf
 ACTUATION TRAVEL: .010 IN, (0.25 mm) APPROX.

ENVIRONMENTAL:
 OPERATING TEMPERATURE: -35°C TO +105°C
 STORAGE TEMPERATURE: -35°C TO 105°C

SOLDERABILITY:
 SOLDERABILITY EIA-364-52, CLASS 1, CATEGORY 2
 SOLDERABILITY RESISTANCE PER 109-202 CONDITION B

- NOTES:**
- ALL MATERIALS AND FINISHES SHALL COMPLY WITH EU DIRECTIVE 2002/95/EC OF 27 JAN 2003 (ROHS)
 - RADIAL TAPE PACKAGING PER AUGAT SPEC.#295.
 - SPECIFICATIONS SUBJECT TO CHANGE WITHOUT NOTIFICATION.



FSM4.7JRT	1825451-1
T&B P/N	TYCO P/N

THIS DRAWING IS A CONTROLLED DOCUMENT.		DIN M. BINNER 29SEP05		Tyco Electronics Corporation	
DIMENSIONS: mm [INCHES]		CHK M. SERVER 29SEP05		Tyco Electronics Corporation	
TOLERANCES UNLESS OTHERWISE SPECIFIED:		APP'D M. SERVER 29SEP05		Harrisburg, PA 17105-3608	
0. PLC ± -	1. PLC ± -	NAME		SWITCH, PUSHBUTTON	
2. PLC ± -	3. PLC ± .012	PRODUCT SPEC		-	
4. PLC ± -	ANGLES ± ± 1°	APPLICATION SPEC		-	
MATERIAL SEE TABLE	FINISH -	SIZE	CAGE CODE	DRAWING NO	RESTRICTED TO
		A1	00779	1825451	-
CUSTOMER DRAWING		SCALE	SHEET	REV	
		4:1	1 OF 1	B	