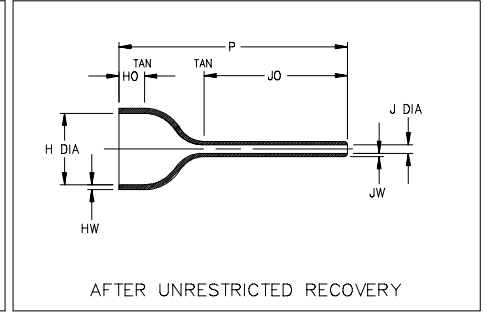
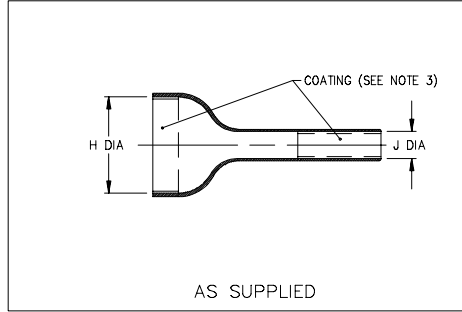


Thermofit[®] Molded Parts
 Specification Control Drawing
 Limited Distribution

Part Number : 202A921-25/225
 Description : Boot, Straight, With Lip

NOTES

- All dimensions are in $\frac{\text{inches}}{\text{[millimeters]}}$
- Dimensions appearing in table are as follows:
 a - As Supplied
 b - After Unrestricted Recovery
- Coating is optional. As supplied dimensions appearing in table are for uncoated parts. When coating is added, entry diameters will be reduced by .06 max.



PART NUMBER	H		J		P ±10%	HO ±10%	JO ±10%	HW ±20%	JW ±20%
	Min a	Max b	Min a	Max b					
	202A921-25/225	.76 [19,3]	.51 [13,0]	.25 [6,3]	.08 [2,1]	2.38 [60,4]	.46 [11,6]	1.49 [37,8]	.06 [1,52]

If this document is printed it becomes uncontrolled.
 Check for the latest revision.

Raychem

RAYCHEM CORPORATION
 300 CONSTITUTION DRIVE
 MENLO PARK, CALIFORNIA 94025

Revision : B
 Date : 4/13/95

Part Number : 202A921-25/225
 Description : Boot, Straight, With Lip

Thermofit[®] Molded Parts
 Specification Control Drawing
 Limited Distribution

Part Number : 202A921-25/225
 Description : Boot, Straight, With Lip

MATERIAL DASH NO.	MATERIAL DESCRIPTION	RT SPEC	COATING SLASH NO.	COATING S NO.	COATING DESCRIPTION
-25	Elastomer, Fluid Resistant	RT-1325	/225	S-1206	Adhesive

ORDERING INFORMATION	
Base part number	202A921 -25 -XX /225
Material dash number (See Compatability Chart)	-25
Modification number (If necessary, see front of scd binder for a complete list)	-XX
Adhesive slash number (If necessary, see Compatability Chart)	/225

THIS DRAWING IS SUBJECT TO CHANGE WITHOUT NOTICE; CONSULT YOUR
 NEAREST FIELD REPRESENTATIVE FOR CURRENT REVISION

Raychem

RAYCHEM CORPORATION
 300 CONSTITUTION DRIVE
 MENLO PARK, CALIFORNIA 94025

Revision : B
 Date : 4/13/95

Part Number : 202A921-25/225
 Description : Boot, Straight, With Lip

CAD FILE MP95136