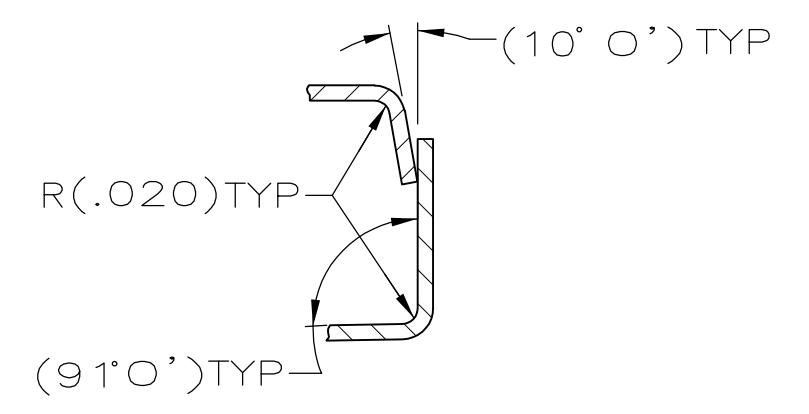
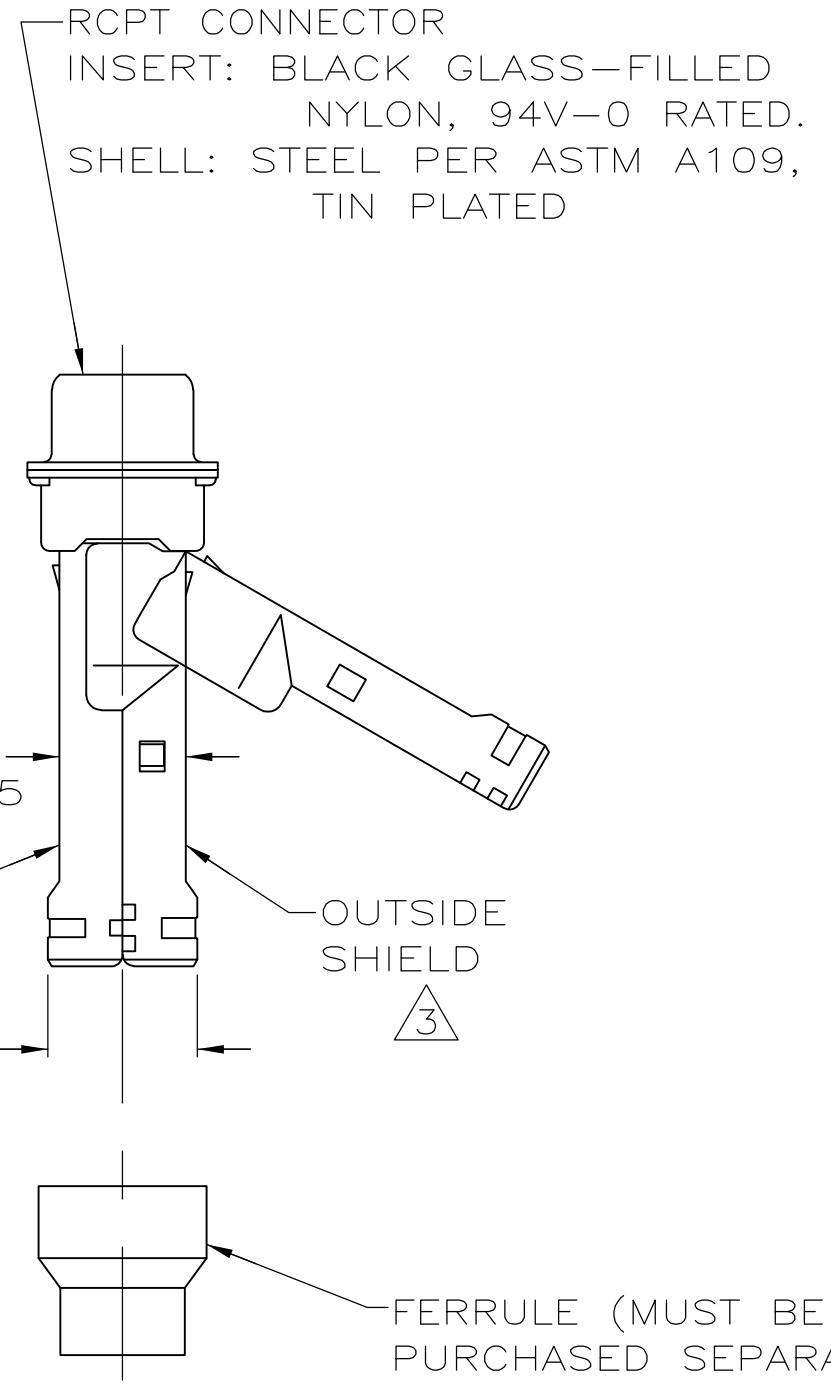
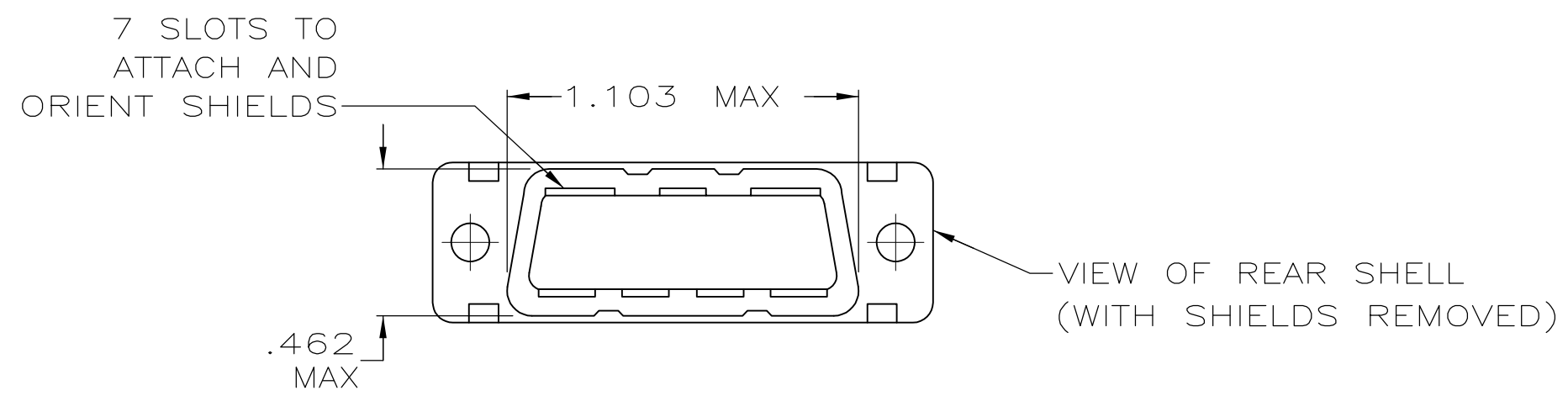
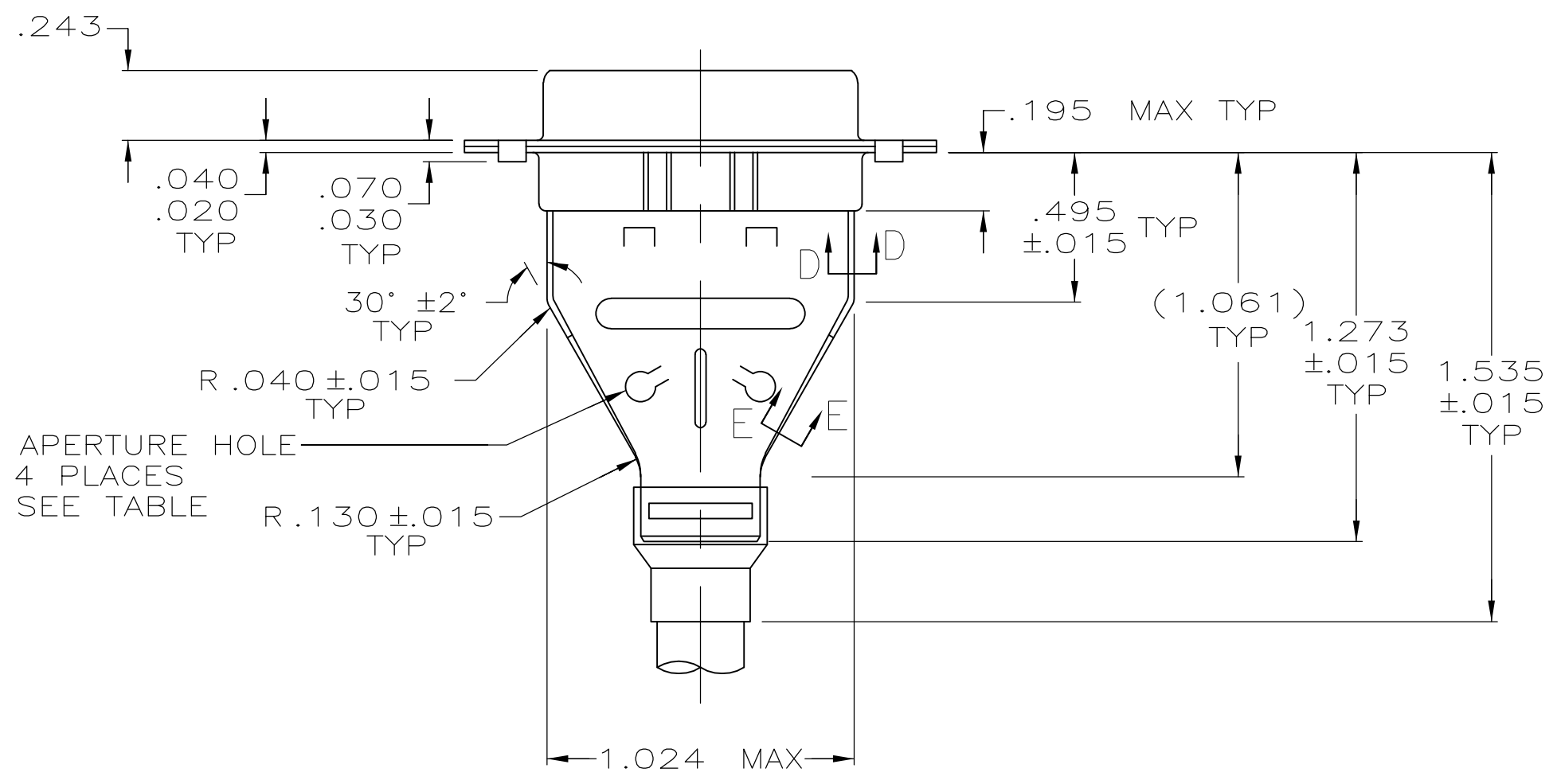
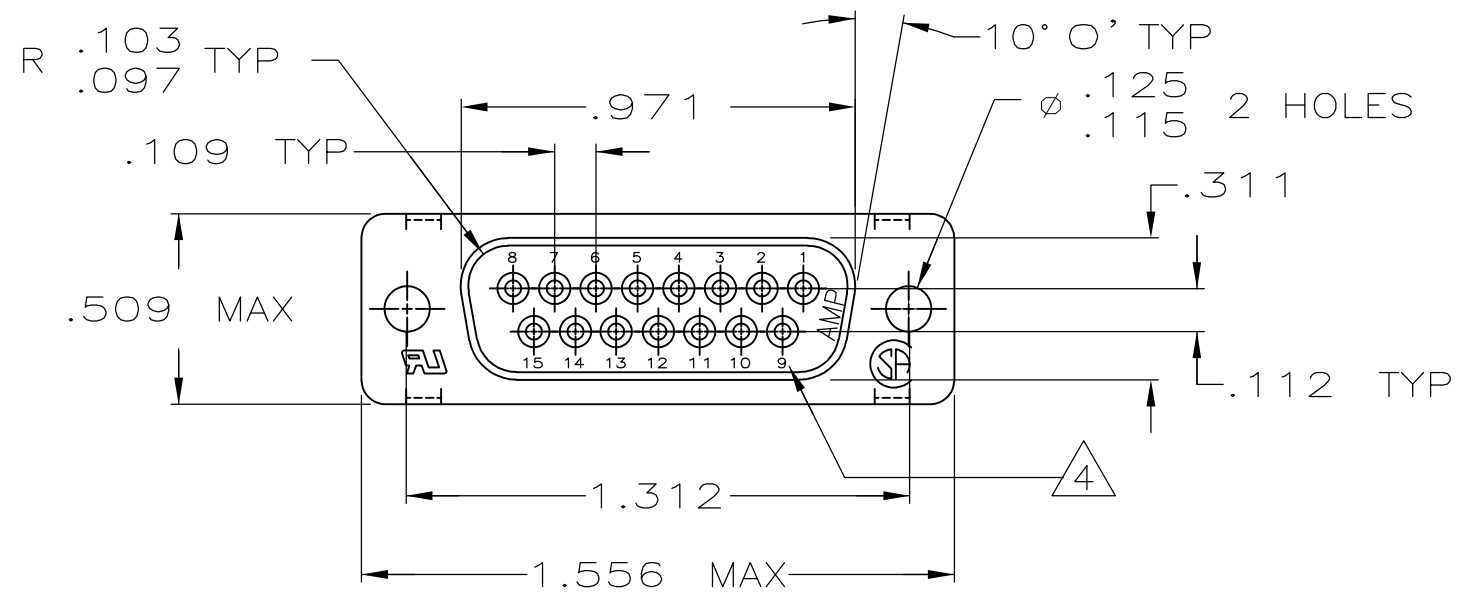
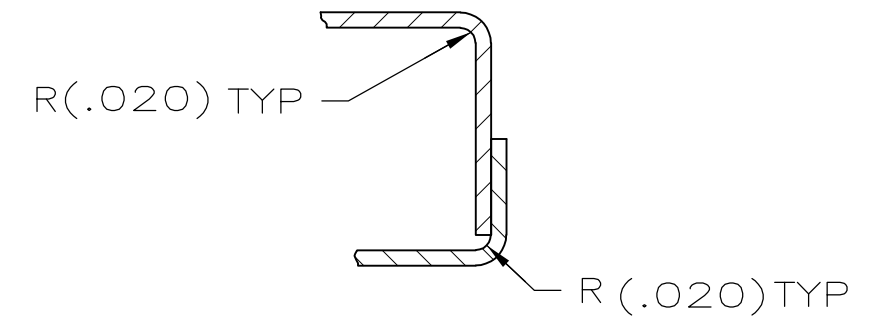


THIS DRAWING IS UNPUBLISHED. RELEASED FOR PUBLICATION
 © COPYRIGHT - By - ALL RIGHTS RESERVED.

LOC		DIST		REVISIONS			
P	LTR	DESCRIPTION		DATE	DWN	APVD	
GP	00	A1	REVISED PER ECO-11-004835		11MAR11	RK	HMR



SECTION D-D
SCALE 4:1



SECTION E-E
SCALE 4:1

- ① RCPT ACCEPTS SIZE 20 SOCKET CONTACTS (CONTACTS MUST BE ORDERED SEPARATELY).
- 2. ALL PARTS SHIPPED UNASSEMBLED, EACH PART INDIVIDUALLY BULK PACKED.
- ③ SHIELDS: MATERIAL-.020 THICK STEEL, TIN PLATED
- ④ RAISED CAVITY IDENTIFICATION AND AMP TRADEMARK.

5747539-1
PART NUMBER

THIS DRAWING IS A CONTROLLED DOCUMENT.		DWN 11-10-04 G. ATTADIA - DOCK5		
DIMENSIONS: INCHES		CHK 11-10-04 J. GERACE		
TOLERANCES UNLESS OTHERWISE SPECIFIED:		APVD 11-10-04 M. WALMSLEY	NAME	
0 PLC ± - 1 PLC ± - 2 PLC ± - 3 PLC ± .005 4 PLC ± - ANGLES ± 0° 30'		PRODUCT SPEC 108-40005 & 108-40030	KIT, RCPT, SHIELDING HARDWARE, SIZE 2, 15 POSN, HDP-20, AMPLIMITE	
MATERIAL		APPLICATION SPEC 114-40030	SIZE	RESTRICTED TO
FINISH		WEIGHT -	CAGE CODE	
③		CUSTOMER DRAWING	DRAWING NO A2 00779	
③		SCALE 2:1	SHEET 1 of 1	REV A1