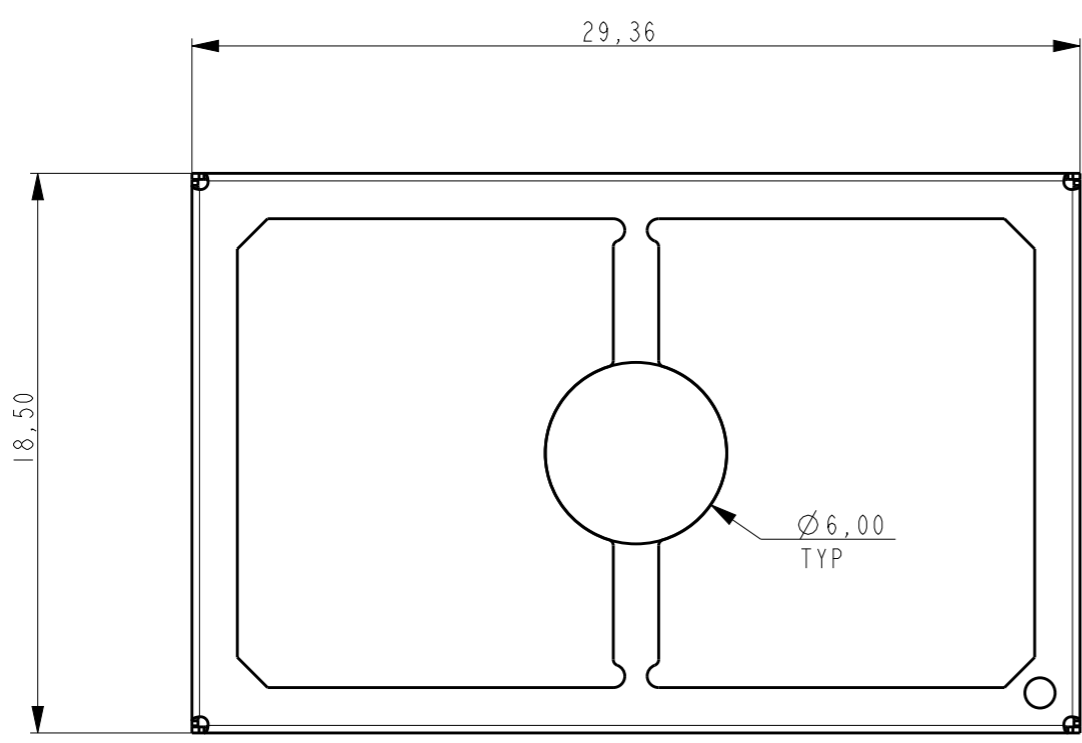
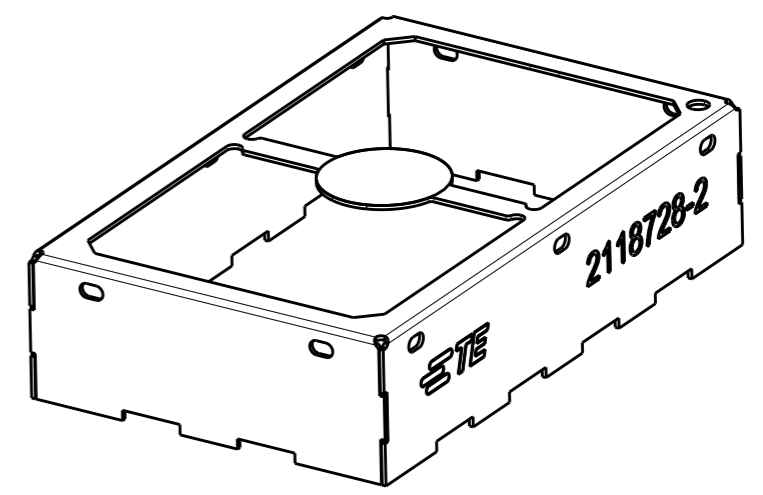
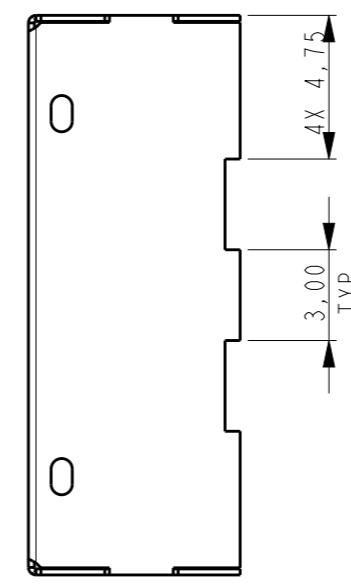


THIS DRAWING IS UNPUBLISHED. RELEASED FOR PUBLICATION
 © COPYRIGHT - BY TYCO ELECTRONICS CORPORATION. ALL RIGHTS RESERVED.

LOC	DIST	REVISIONS					
		P	LTR	DESCRIPTION	DATE	DWN	APVD
H	-		2	ADD HOLE IN CORNER	02SEP2016	SS	AL
			A	DRAWING RELEASED	24APR2017	VL	SS
			A1	REVISED PER ECO ECO-17-007644	26MAY2017	VL	SS
			A2	REVISED PER ECO-17-013857	20SEP2017	SS	HL



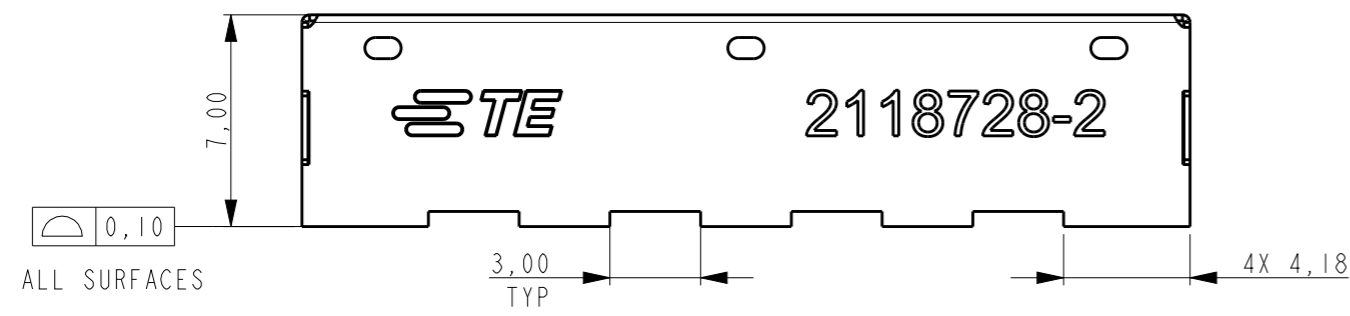
SCALE 4:1



SCALE 3:1

NOTES:

- 1 MATERIAL: 0.20mm CRS. 1,25 - 3.00µm MATTE TIN FINISH.
- 2 STAMPING BURR OUTSIDE OF PART, MAX 0.05mm.
- 3 PARTS TO BE FREE OF OIL AND CONTAMINENTS.
- 4 PART IS RoHS COMPLIANT PER TE CONNECTIVITY STANDARD TEC-138-702.
- 5 REFER TO 3D MODEL FOR UNSPECIFIED DIMENSIONS.
- 6 PACKAGING: TAPE AND REEL

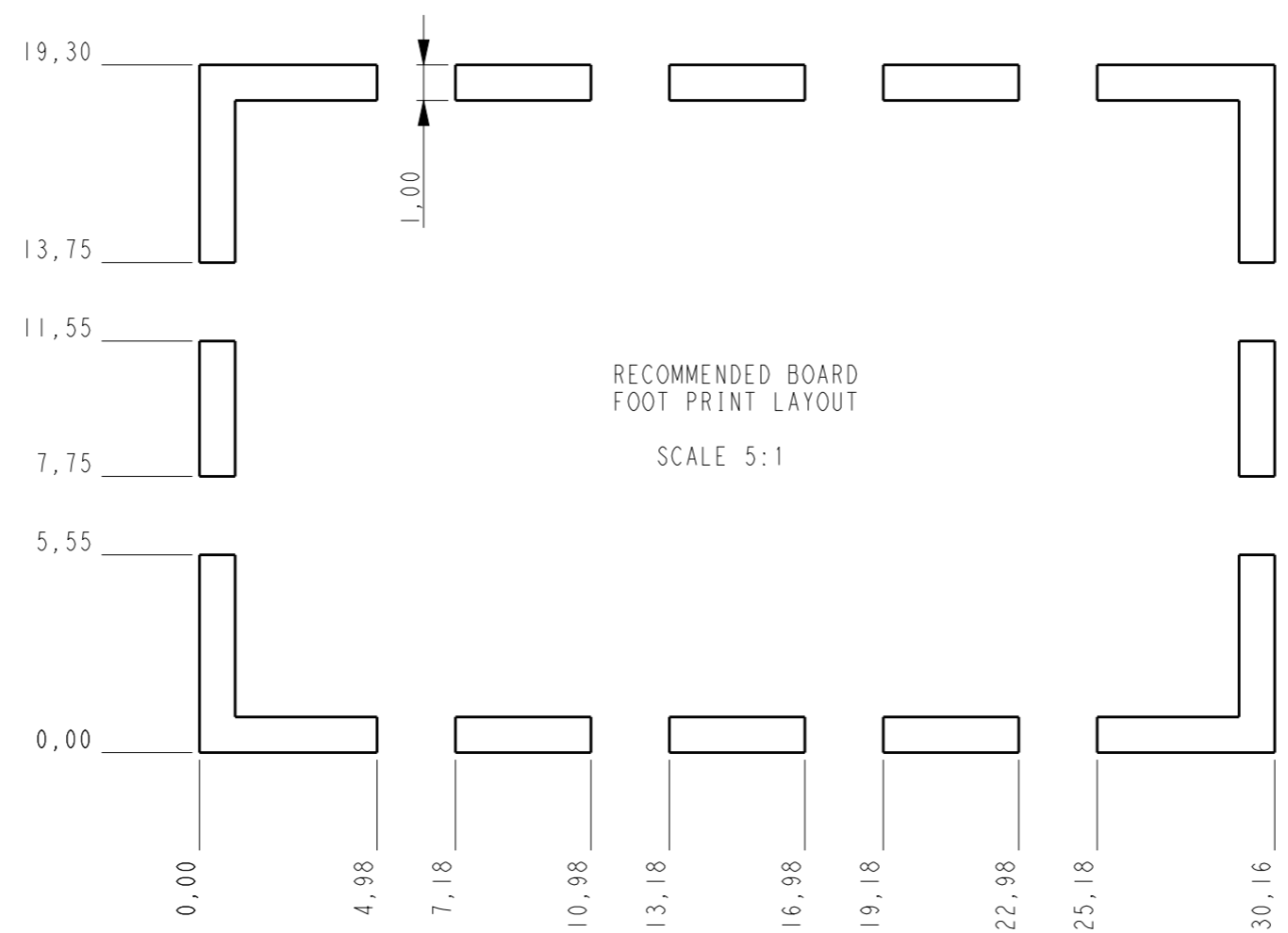


6	2118728-2
PACKAGING	PART NUMBER


THIS DRAWING IS A CONTROLLED DOCUMENT. DIMENSIONING AND TOLERANCING PER ASME Y14.5M-2009.		DWN S. SU 05-APR-16	STE TE Connectivity			
DIMENSIONS: mm		CHK V. LAC 24APR2017				
TOLERANCES UNLESS OTHERWISE SPECIFIED:		APVD V. LAC 24APR2017	NAME STANDARD SHIELD FRAME			
0 PLC ±0.2		PRODUCT SPEC 108-19493				
1 PLC ±0.15		APPLICATION SPEC 114-115014	SIZE A3	CAGE CODE 00779	DRAWING NO C-2118728	RESTRICTED TO -
2 PLC ±0.10		WEIGHT -	SCALE 2:1		SHEET 1 OF 3	REV A2
3 PLC ±		CUSTOMER DRAWING				
4 PLC ±						
ANGLES ±2°						
MATERIAL 1-						
FINISH 1-						

THIS DRAWING IS UNPUBLISHED. RELEASED FOR PUBLICATION
 © COPYRIGHT - BY TYCO ELECTRONICS CORPORATION. ALL RIGHTS RESERVED.

LOC	DIST	REVISIONS					
H	-	P	LTR	DESCRIPTION	DATE	DWN	APVD
			-	SEE SHEET 1	-	-	-

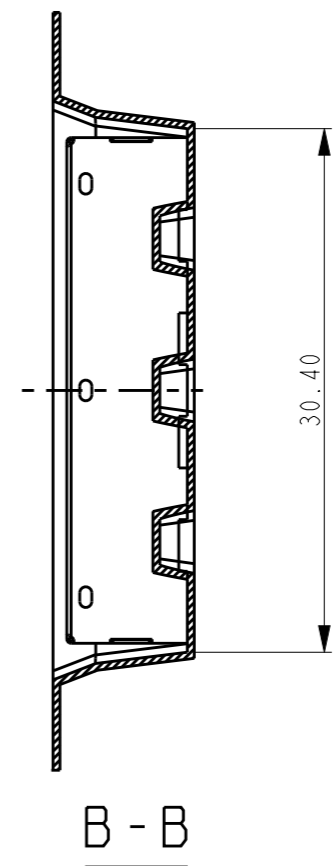
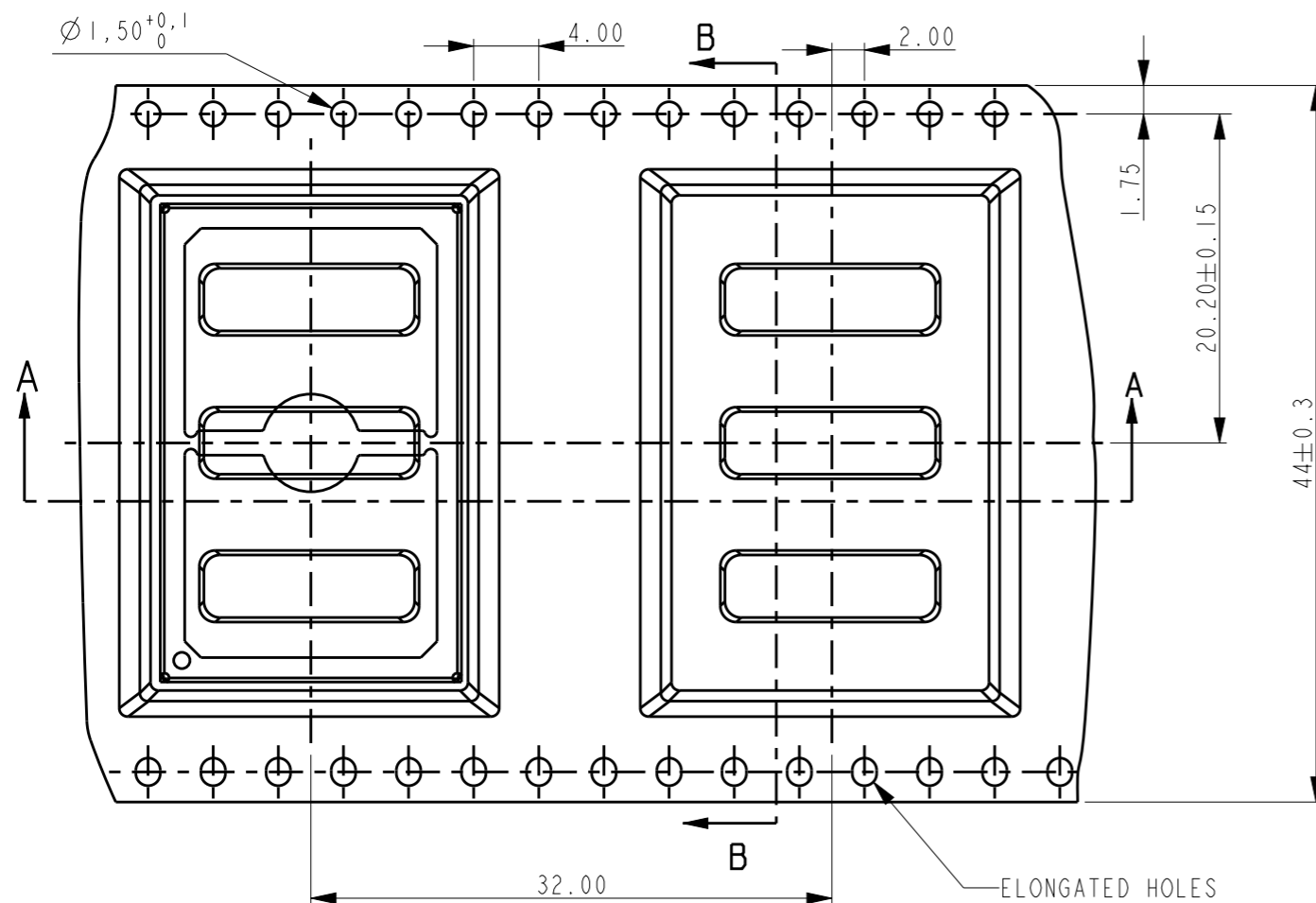


NOTES:
 7. STENCIL THICKNESS: 0.10mm MIN.

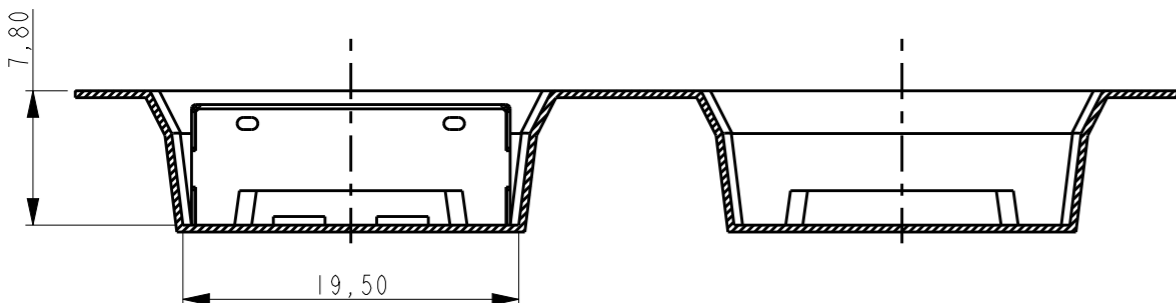
THIS DRAWING IS A CONTROLLED DOCUMENT.		DWN S. SU	05-APR-16	 TE Connectivity	
DIMENSIONS: mm		CHK V. LAC	24APR2017		
TOLERANCES UNLESS OTHERWISE SPECIFIED:		APVD V. LAC	24APR2017	NAME STANDARD SHIELD FRAME	
0 PLC ±0.2 1 PLC ±0.15 2 PLC ±0.10 3 PLC ± 4 PLC ± ANGLES ±2°		PRODUCT SPEC 108-19493		RESTRICTED TO	
MATERIAL -		APPLICATION SPEC 114-115014		SIZE A3	CAGE CODE 00779
FINISH -		WEIGHT -		DRAWING NO C-2118728	
CUSTOMER DRAWING				SCALE 2:1	SHEET 2 OF 3
				REV A2	

THIS DRAWING IS UNPUBLISHED. RELEASED FOR PUBLICATION
 © COPYRIGHT - BY TYCO ELECTRONICS CORPORATION. ALL RIGHTS RESERVED.


LOC	DIST	REVISIONS			
P	LTR	DESCRIPTION	DATE	DWN	APVD
H	-	SEE SHEET 1	-	-	-



USER DIRECTION OF UNREELING
 →



- NOTES:
- 8. REEL SIZE: O.D. 380mm, I.D. 180mm
 - 9. QTY PER REEL: 280PCS

THIS DRAWING IS A CONTROLLED DOCUMENT.		DWN S. SU 05-APR-16	 TE Connectivity	
DIMENSIONS: mm		CHK V. LAC 24APR2017		
TOLERANCES UNLESS OTHERWISE SPECIFIED:		APVD V. LAC 24APR2017	NAME STANDARD SHIELD FRAME	
0 PLC ±0.2 1 PLC ±0.15 2 PLC ±0.10 3 PLC ± 4 PLC ± ANGLES ±2°		PRODUCT SPEC 108-19493	SIZE CAGE CODE DRAWING NO RESTRICTED TO	
MATERIAL - FINISH -		APPLICATION SPEC 114-115014	A3 00779 C-2118728	
		WEIGHT -	SCALE 2:1 SHEET 3 OF 3 REV A2	
		CUSTOMER DRAWING		