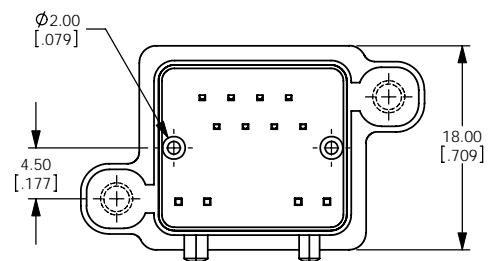
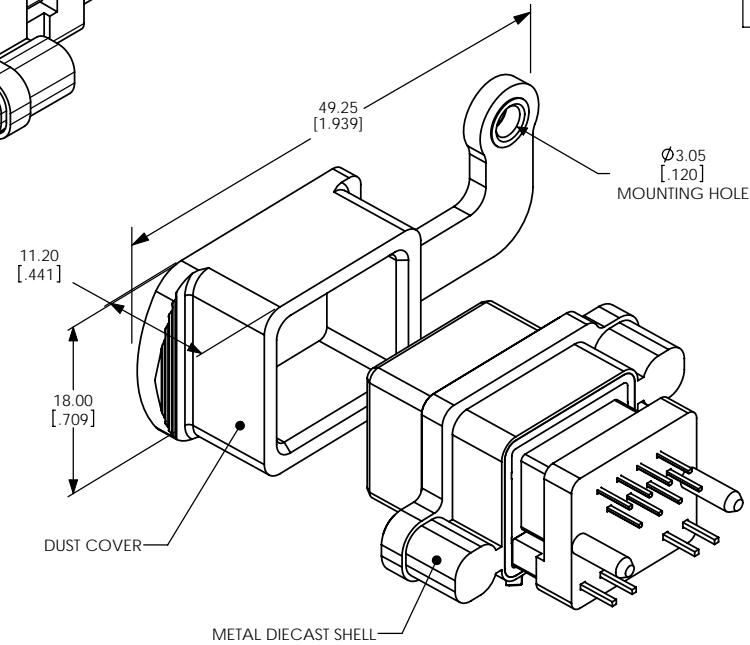
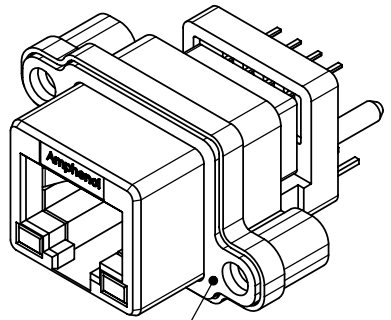
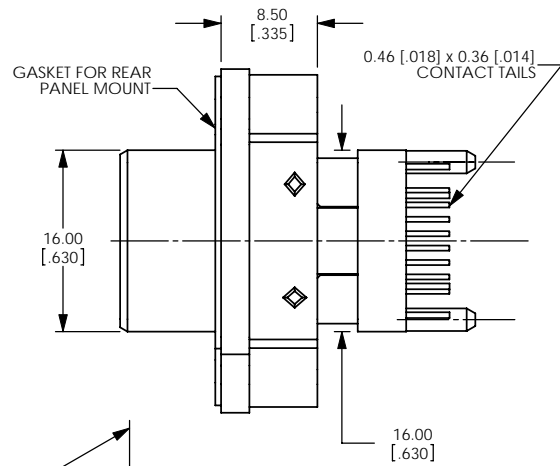


REVISIONS			
REV	ECN, ERN NO.	DATE	APPRD.
C	PRODUCT DRAWING (EAR 13229)	MAR03/08	K.L.



ORDERING CODE: **MRJ-518X-XF**

- SERIES, RUGGED RJ
- RECEPTACLE
- VERTICAL MOUNT WITH DUST COVER SUPPLIED
- NUMBER OF CONTACTS
- LED OPTION
 - 0 - NONE
 - 1 - GREEN LEFT, YELLOW RIGHT
 - 4 - YELLOW LEFT, GREEN RIGHT
 - 5 - GREEN LEFT, GREEN RIGHT
- TAIL LENGTH AND MOUNTING HOLE THREAD OPTIONS
 - 0 - TAIL LENGTH A=2.54 [.100] #4-40 UNC THREAD
 - B - TAIL LENGTH A=3.81 [.150] #4-40 UNC THREAD
 - M - TAIL LENGTH A=2.54 [.100], M3 x 0.5 THREAD
 - P - TAIL LENGTH A=3.81 [.150], M3 x 0.5 THREAD
- SINGLE PORT WITH GASKET FOR REAR PANEL MOUNT AND BLIND MTG HOLES



NOTES:

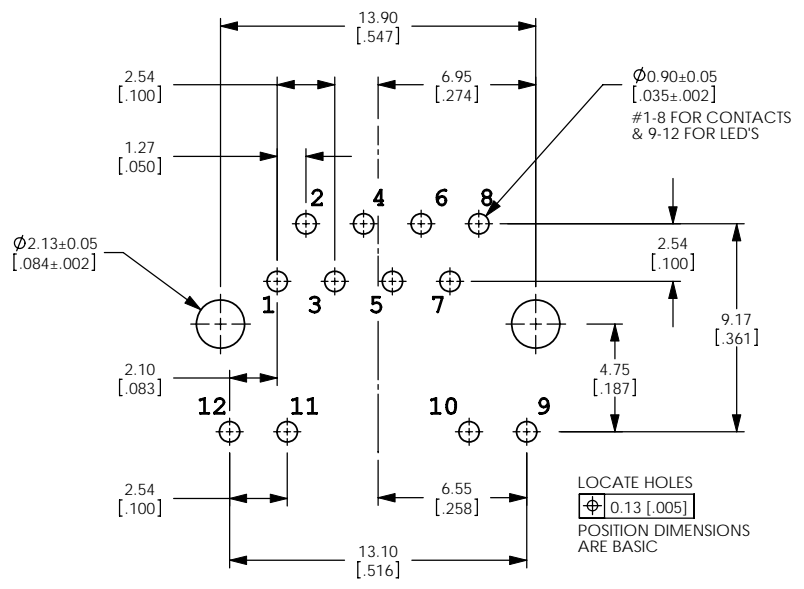
1. MATERIAL: ALL MATERIALS ARE ROHS COMPLIANT PER EU DIRECTIVE 2002/95/EC AND AMENDMENTS
 - SHELL - DIECAST ZINC, NICKEL PLATED
 - CONTACTS - PHOSPHOR BRONZE WITH 50 MICROINCHES (1.27 MICRONS) GOLD OVER 50 MICROINCHES (1.27 MICRONS) MINIMUM NICKEL ON THE MATING AREA AND MATTE TIN OVER NICKEL ON THE CONTACT TAILS.
 - INSERTS - ENGINEERING THERMOPLASTIC, UL FLAMMABILITY RATING 94V-0, REAR INSERTS: BLACK, FRONT INSERT: CLEAR
 - LED'S - EPOXY LENS, STEEL TAILS WITH TIN PLATING
 - GASKET AND DUST COVER - SILICONE RUBBER
2. ENVIRONMENTAL PERFORMANCE PER IEC 60529 CODE IP67 FOR SEAL BETWEEN MATING AREA AND PCB SIDE OF CONNECTOR. GASKET PROVIDES SEAL TO INSIDE FACE OF PANEL. SUPPLIED DUST COVER PROVIDES ADDED PROTECTION.
3. CURRENT RATING: 1.5 AMPERES.
4. CONTACT RESISTANCE: 30 MILLIOHMS MAXIMUM.
5. OPERATING TEMPERATURE: -40°C TO +105°C.



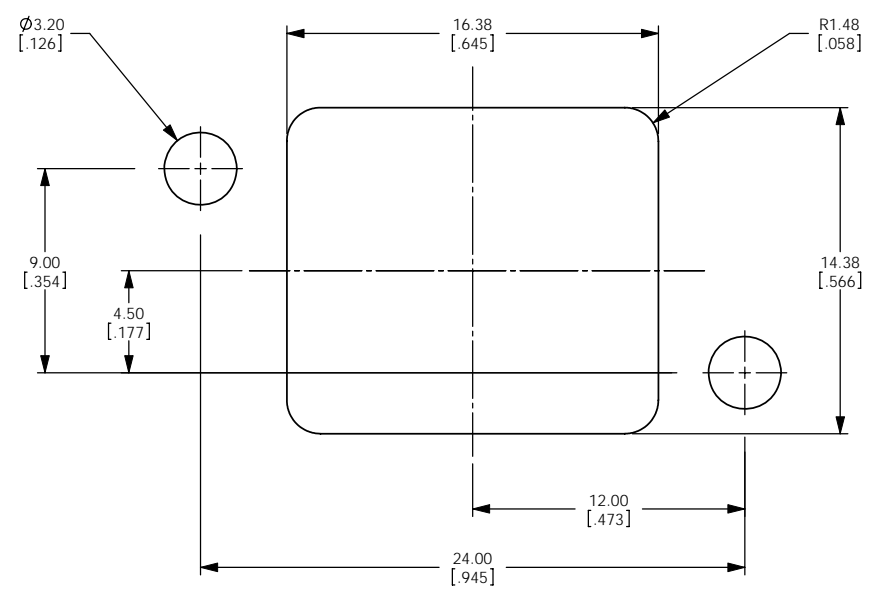
UNLESS OTHERWISE SPECIFIED:		DATE	Amphenol Canada Corp.
DIMENSIONS ARE IN MILLIMETERS		JUN28/07	
TOLERANCES:		DRAWN	MRJ SERIES RUGGED MODULAR JACK, 8 POSITION VERTICAL, LED, THREAD & TAIL OPTIONS, REAR PANEL MOUNT, BLIND MOUNTING, DUST COVER, ROHS COMPLIANT
FRACTIONAL: ±		A. DODDS	
ANGULAR: MACH ± BEND ±		DESIGNED	SIZE DWG. NO. C P-MRJ-518X-XF REV C
TWO PLACE DECIMAL: ±		CHECKED	
THREE PLACE DECIMAL: ±		K. LAMBE	SCALE: 3:1 WEIGHT: SHEET 1 OF 2
INTERPRET GEOMETRIC TOLERANCING PER:		JUN28/07	
MATERIAL:		I. E. APPRD.	
FINISH:		D. A. APPRD.	
NEXT ASSY		ENG. REL. NO. EAR E13132	
USED ON		REF.	
APPLICATION		DIMENSIONS ARE IN MILLIMETERS	
DO NOT SCALE DRAWING		CODE ID. NO.	

PROPRIETARY AND CONFIDENTIAL
THIS DOCUMENT CONTAINS PROPRIETARY INFORMATION AND SUCH INFORMATION MAY NOT BE DISCLOSED TO OTHERS FOR ANY PURPOSE OR USED FOR MANUFACTURING PURPOSES WITHOUT WRITTEN PERMISSION FROM AMPHENOL CANADA CORP.

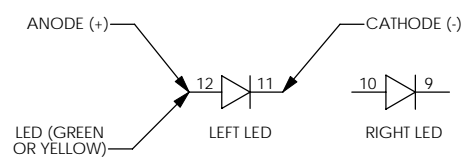
REVISIONS			
REV	ECN, ERN NO.	DATE	APPRD.
C	PRODUCT DRAWING (EAR 13229)	MAR03/08	K.L.



RECOMMENDED P.C.B. LAYOUT
(COMPONENT SIDE OF BOARD)



RECOMMENDED PANEL CUTOUT
(FRONT OF PANEL)



LED POLARITY



PROPRIETARY AND CONFIDENTIAL
THIS DOCUMENT CONTAINS PROPRIETARY INFORMATION AND SUCH INFORMATION MAY NOT BE DISCLOSED TO OTHERS FOR ANY PURPOSE OR USED FOR MANUFACTURING PURPOSES WITHOUT WRITTEN PERMISSION FROM AMPHENOL CANADA CORP.

UNLESS OTHERWISE SPECIFIED:	DATE	Amphenol Canada Corp.
DIMENSIONS ARE IN MILLIMETERS	DRAWN A. DODDS JUN28/07	
TOLERANCES:	DESIGNED	MRJ SERIES RUGGED MODULAR JACK, 8 POSITION VERTICAL, LED, THREAD & TAIL OPTIONS, REAR PANEL MOUNT, BLIND MOUNTING, DUST COVER, RoHS COMPLIANT
FRACTIONAL ±	CHECKED K. LAMBE JUN28/07	
ANGULAR MATCH ± BEND ±	I. E. APPRD.	
TWO PLACE DECIMAL ±	D. A. APPRD.	SIZE DWG. NO.
THREE PLACE DECIMAL ±	DWG. APPRD.	C P-MRJ-518X-XF C
INTERPRET GEOMETRIC TOLERANCING PER:	ENG. REL. NO. EAR E13132	REV
MATERIAL	REF.	C
FINISH	DIMENSIONS ARE IN MILLIMETERS	CODE ID. NO.
APPLICATION	DO NOT SCALE DRAWING	SCALE: 3:1
NEXT ASSY	USED ON	SHEET 2 OF 2