

## Solid-state relays - ST-OV3-220DC/240AC/3 - 2903105

Please be informed that the data shown in this PDF Document is generated from our Online Catalog. Please find the complete data in the user's documentation. Our General Terms of Use for Downloads are valid (<http://phoenixcontact.com/download>)



Pluggable power optocoupler, with light indicator and protection circuits in the input and output circuits, input: 220 V DC, output: 24-280 V AC/max. 3 A, can be plugged on basic termination blocks

The illustration shows version ST-OV  
3- 5 DC/240 AC/3



### Key commercial data

Packing unit	1 pc
GTIN	 4 017918 078935
Weight per Piece (excluding packing)	61.15 GRM
Custom tariff number	85364900
Country of origin	Germany

### Technical data

#### Dimensions

Width	20.8 mm
Height	33 mm
Depth	66.5 mm

#### Ambient conditions

Ambient temperature (operation)	-20 °C ... 60 °C
Ambient temperature (storage/transport)	-20 °C ... 70 °C

#### Input data

Nominal input voltage $U_N$	220 V DC $\pm 20$ %
Switching threshold "0" signal, voltage	$\leq 86$ V
Switching threshold "1" signal voltage	$\geq 106$ V
Typical input current at $U_N$	7 mA

## Solid-state relays - ST-OV3-220DC/240AC/3 - 2903105

### Technical data

#### Input data

Typical response time	switch-on time: Max. one half cycle - zero-voltage crossing
Typical turn-off time	switch-off time Max. one half cycle - zero-current crossing
Operating voltage display	Yellow LED
Type of protection	Protection against polarity reversal
Protective circuit/component	Polarity protection diode
Transmission frequency	25 Hz

#### Output data

Output voltage range	24 V AC ... 280 V AC
Limiting continuous current	3 A (see derating curve)
Min. load current	50 mA
Leakage current	5 mA (in off state - components with low minimum load and leakage currents on request.)
Surge current	35 A (t = 10 ms)
Max. load value	6 A <sup>2</sup> s (I <sup>2</sup> x t at t = 8.3 ms)
Peak offstate voltage	600 V
Voltage drop at max. limiting continuous current	1.5 V
Output circuit	2-wire, floating
Protective circuit/component	RC element

#### General

Test voltage input/output	2.5 kV AC
Mounting position	any
Standards/regulations	DIN VDE 0110

### Classifications

#### eCl@ss

eCl@ss 4.0	27371102
eCl@ss 4.1	27371102
eCl@ss 5.0	27371001
eCl@ss 5.1	27371001
eCl@ss 6.0	27371001
eCl@ss 7.0	27371001

#### ETIM

ETIM 2.0	EC001504
ETIM 3.0	EC001504
ETIM 4.0	EC001504

# Solid-state relays - ST-OV3-220DC/240AC/3 - 2903105

## Classifications

### ETIM

ETIM 5.0	EC001504
----------	----------

### UNSPSC

UNSPSC 6.01	30211916
UNSPSC 7.0901	39121542
UNSPSC 11	39121542
UNSPSC 12.01	39121542
UNSPSC 13.2	39121542

## Approvals

### Approvals

---

### Approvals

### GOST / GOST

---

### Ex Approvals


---

### Approvals submitted

---

## Approval details

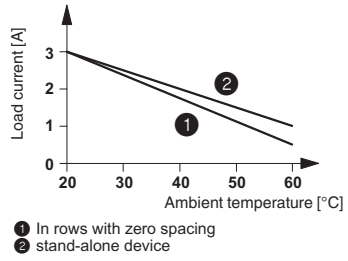
GOST 
--

GOST 
--

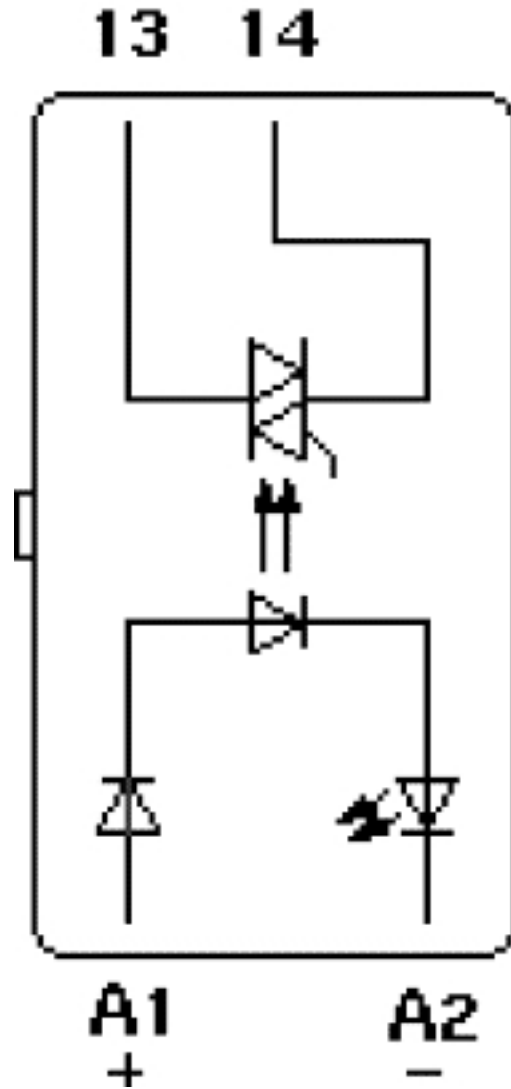
## Drawings

# Solid-state relays - ST-OV3-220DC/240AC/3 - 2903105

Diagram



Circuit diagram



## Solid-state relays - ST-OV3-220DC/240AC/3 - 2903105

Circuit diagram

