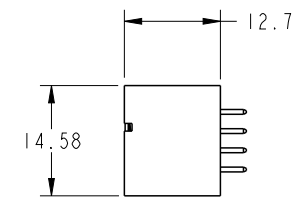
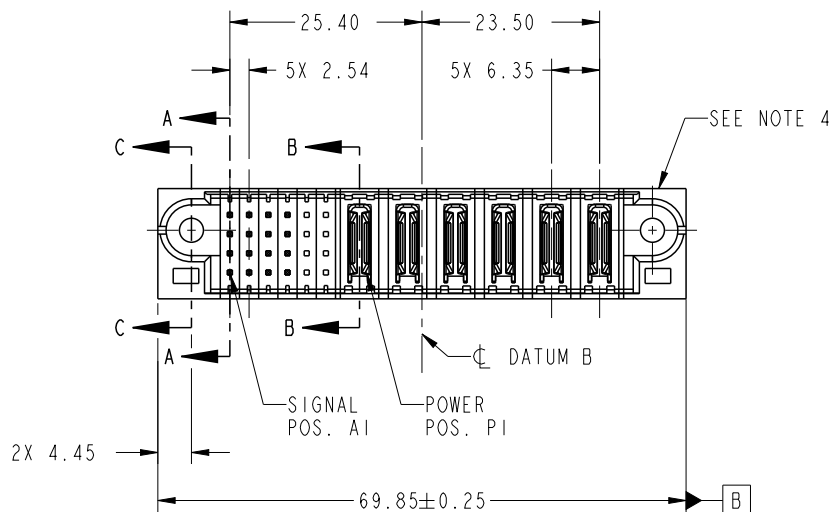


PRODUCT NO. 51952-202-- NOTE 3	ROWS D C B A	SIGNAL					POWER						E2
		E1	1	2	3	4	5	6	P1	P2	P3	P4	

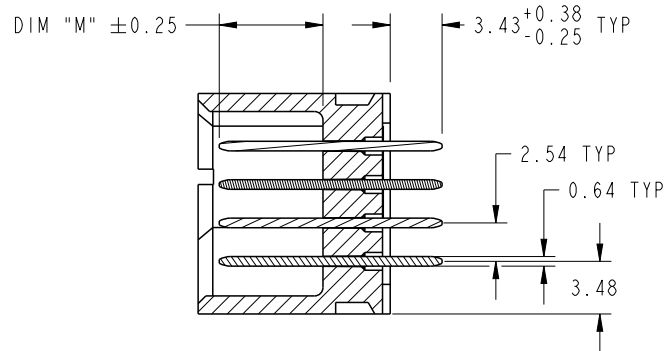


CODE	DIM "M" MATING LENGTH	CONTACT TYPE
PA	[N/A]	POWER
E	[6.86]	SIGNAL
X	Omitted	[N/A]

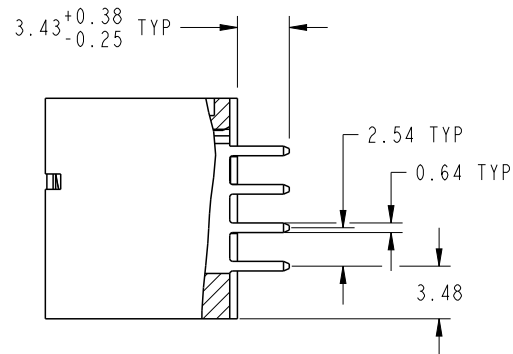
spec ref	SEE NOTES			dr	Shi Guang	2011/12/06	projection 	MM 	size	A4	scale	1:1		
tolerance std	TOLERANCES UNLESS OTHERWISE SPECIFIED			eng	Ruan MT	2013/10/18			ecn no	-				
SEE NOTES				chr	-	-			product family	PwrBlade				
surface	✓	linear	0.X	±0.50	FCI 	title	24S + 6P	dwg no	51952-202	rel level	Released			
			0.XX	±0.25							www.fci.com	cat. no.	Product - Customer Drw	sheet 1 of 4
			0.XXX	±0.1										
		angular	0°	±2°										

PRODUCT NUMBER

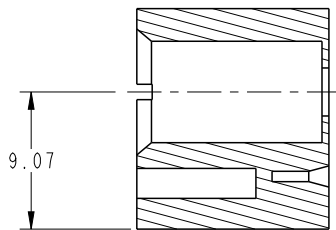
51952-202--
NOTE 3



SECTION A-A
SCALE 2:1



SECTION B-B
SCALE 2:1



SECTION C-C
SCALE 2:1

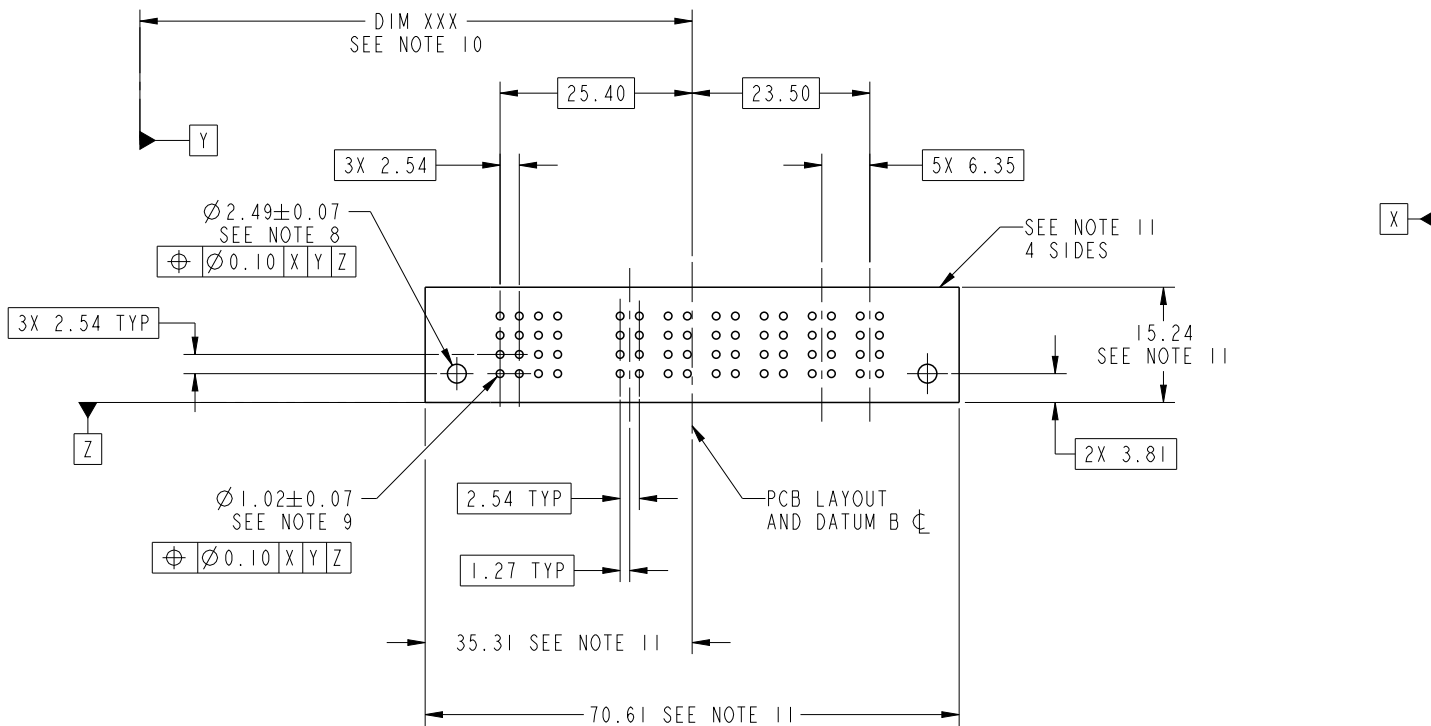
dr	Shi Guang	2011/12/06	projection 	MM ←→	size	A4	scale	1:1	
eng	Ruan MT	2013/10/18			ecn no	-			
chr	-	-			rel level	Released			
appr	Pei-Ming Zheng	2013/10/18	product family	PwrBlade					
		title	24S + 6P VERTICAL STB HEADER		dwg no	51952-202		rev	A
www.fci.com		cat. no.	Product - Customer Drw			sheet 2 of 4			



Copyright FCI.

PRODUCT NUMBER

51952-202--
NOTE 3



RECOMMENDED PCB LAYOUT

dr	Shi Guang	2011/12/06	projection 	MM 	size	A4	scale	1:1	
eng	Ruan MT	2013/10/18			ecn no	-			
chr	-	-			rel level	Released			
appr	Pei-Ming Zheng	2013/10/18	product family	PwrBlade					
		title	24S + 6P VERTICAL STB HEADER		dwg no	51952-202		rev	A
www.fci.com		cat. no.	Product - Customer Drw			sheet 3 of 4			

PRODUCT NUMBER

51952-202--
NOTE 3

NOTES:

1. DIMENSIONS AND TOLERANCES ARE IN ACCORDANCE WITH ASME Y14.5M, 1994 UNLESS OTHERWISE SPECIFIED.

CONNECTOR NOTES:

- 2 HOUSING MATERIAL: UL 94 V-0 GLASS FILLED HIGH-TEMP THERMOPLASTIC
POWER CONTACT MATERIAL: COPPER ALLOY
SIGNAL PIN MATERIAL: COPPER ALLOY
- 3. SEE ITEM 1 & 2 IN PRINT 10064183 FOR PLATING SPEC OF 51952-202 AND 51952-202LF RESPECTIVELY.

4 MANUFACTURER'S NAME, DATE CODE AND OPTIONAL P/N TO APPEAR ON THIS SURFACE. THE P/N CAN BE OMITTED IF THERE IS NOT ENOUGH SPACE ON THIS SURFACE.

5. PRODUCT SPECIFICATION GS-12-149.
APPLICATION SPECIFICATION BUS-20-067.

6. PACKAGED IN TRAYS.

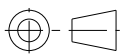
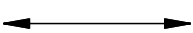

PCB NOTES:

- 7. ALL HOLE DIAMETERS ARE FINISHED HOLE SIZE.
- 8. MOUNTING HOLES, WHERE APPLICABLE, ARE UNPLATED.

9 $\varnothing 1.151 \pm 0.025$ DRILLED HOLES PLATED WITH
0.008 MIN SnPb OR Sn OVER .001 [0.03]
TO 0.08 Cu PLATING TO ACHIEVE
 $\varnothing 1.02 \pm 0.07$ HOLE.

10 "DIM XXX" TO BE DETERMINED BY THE CUSTOMER.

11 CONNECTOR KEEP-OUT ZONE.

dr	Shi Guang	2011/12/06	projection 	MM 	size	A4	scale	1:1
eng	Ruan MT	2013/10/18			ecn no	-		
chr	-	-			rel level	Released		
appr	Pei-Ming Zheng	2013/10/18	product family	PwrBlade	rev	A		
		title	24S + 6P VERTICAL STB HEADER		dwg no	51952-202		
www.fci.com		cat. no.	Product - Customer Drw			sheet 4 of 4		