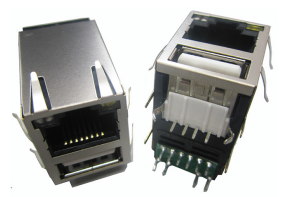


RJ45 10/100 Base-T / 1 X USB Combo, w/ LEDs, Ext Temp

ARJ-169

RoHS/RoHS II Compliant



16.80 x 21.10 x 28.35mm

FEATURES:

- Compliant with IEEE802.3ab standard
- Tab up RJ45 Jack + 1USB Combo
- High performance for maximum EMI suppression
- 350 μ H minimum OCL with 8mA bias current
- RoHS peak wave solder temperature 260°C

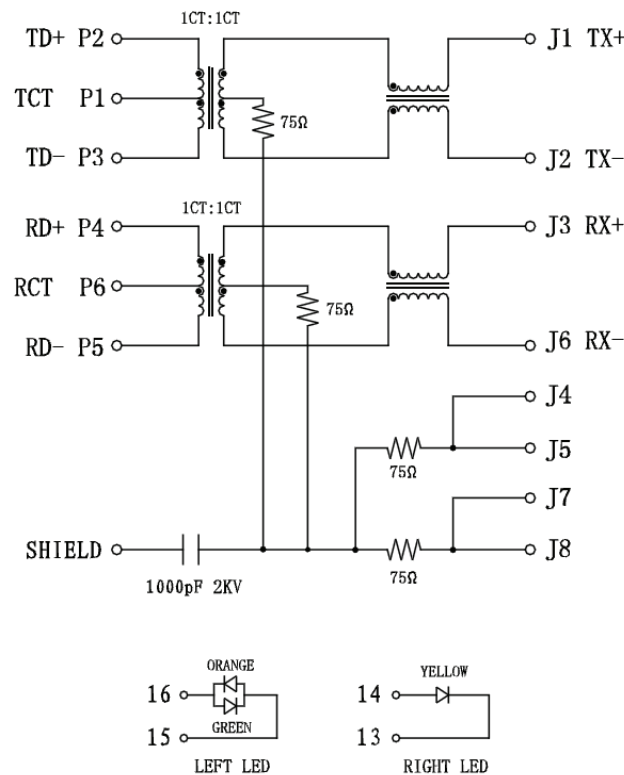
APPLICATIONS:

- Support 10/100 Base-T AutoMDIX application with Bi-Color LEDs
- Extended Temperature (-40°C~85°C)
- Network Interface Cards(NIC), LAN-on-Motherboard(LOM) and PC
- Suitable CAT 3, 5e & 6 cable and UTP
- Provides signal conditioning, EMI suppression and signal isolation

STANDARD SPECIFICATIONS

| Parameters | Minimum | Typical | Maximum | Units | Notes |
|--------------------------|-------------------|---------|---------|---------|-----------------|
| Operating Temperature | -40 | | +85 | °C | |
| Storage Temperature | -40 | | +85 | °C | |
| Turn Ratio ($\pm 3\%$) | 1CT:1CT | | | | Tx |
| | 1CT:1CT | | | | Rx |
| Inductance (OCL) | 350 | | | μ H | 100KHz/0.1V@8mA |
| Insertion Loss | | | -1.0 | dB | 1-100MHz |
| Return Loss | -18 | | | dB | 1-10MHz |
| | -16 | | | | 10-30MHz |
| | -14 | | | | 30-60MHz |
| | -12 | | | | 60-80MHz |
| | -10 | | | | 80-100MHz |
| Cross Talk | -35 | | | dB | 1-100MHz |
| CMR | -35 | | | dB | 1-100MHz |
| Hi-Pot | 1500Vrms/1mA/1Sec | | | | Pri to Sec |

SCHEMATICS



ABRACON IS
ISO 9001:2008
CERTIFIED

ABRACON[®]
The Power of Linking Together

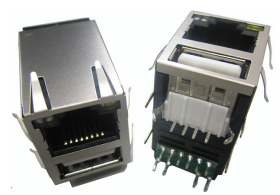
2 Faraday, Suite# B | Irvine | CA 92618 **Revised: 07.01.15**
Ph. 949.546.8000 | Fax. 949.546.8001

Visit www.abracon.com for Terms and Conditions of Sale

RJ45 10/100 Base-T / 1 X USB Combo, w/ LEDs, Ext Temp

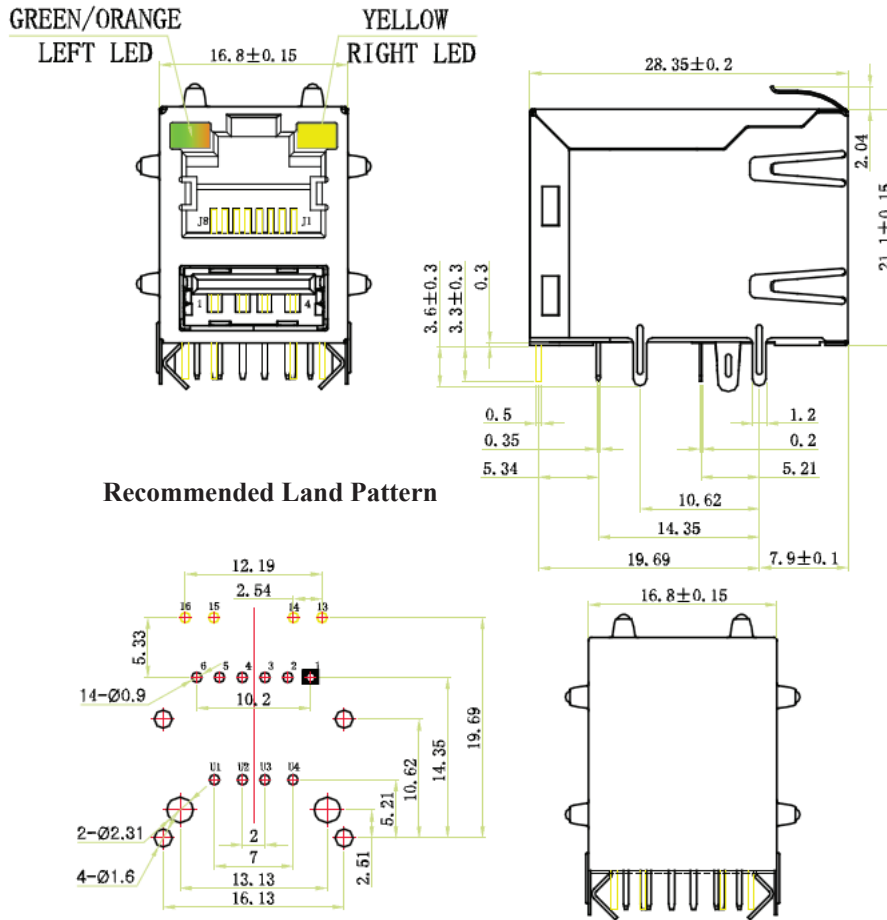
ARJ-169

RoHS/RoHS II Compliant

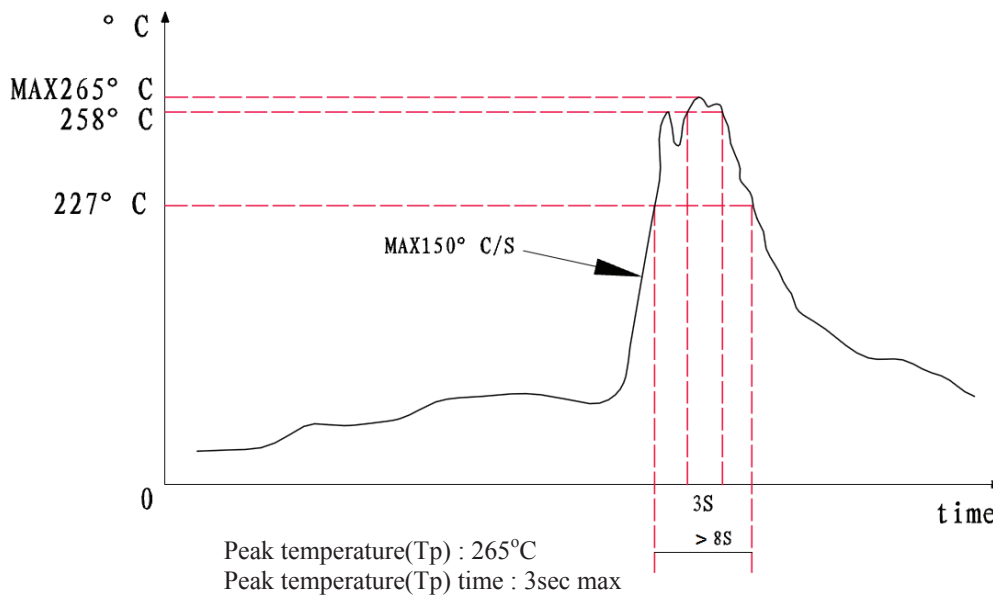


16.80 x 21.10 x 28.35mm

MECHANICAL DIMENSIONS



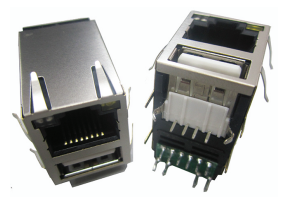
DIP WAVE SOLDERING PROFILE



RJ45 10/100 Base-T / 1 X USB Combo, w/ LEDs, Ext Temp

ARJ-169

RoHS/RoHS II Compliant

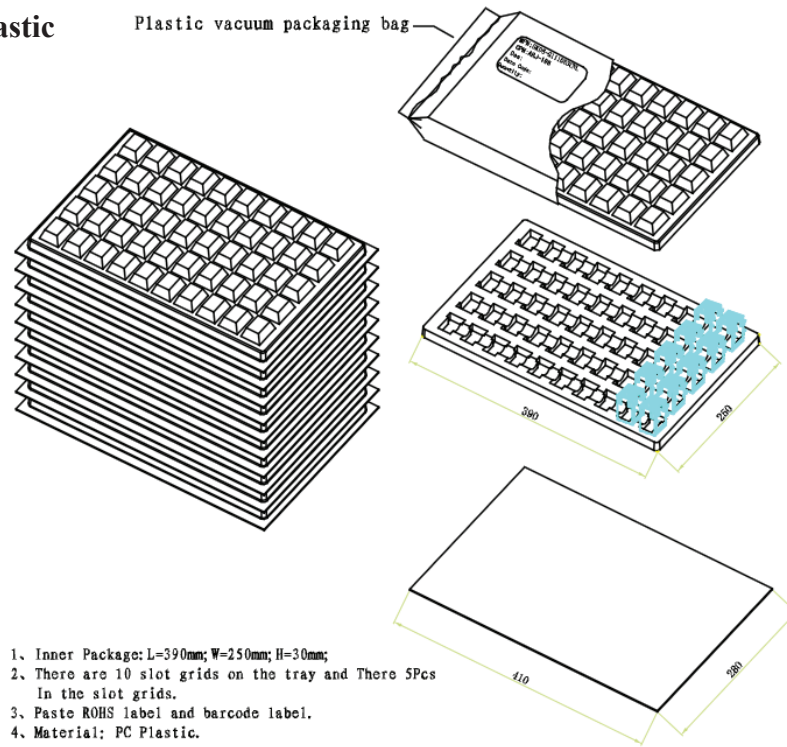


16.80 x 21.10 x 28.35mm

PACKING: 44pcs/tray

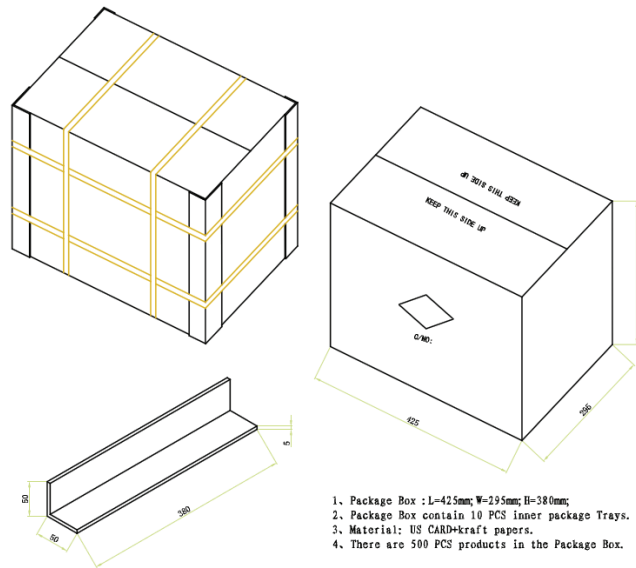
Packaging 50pcs/tray

Packaging Material: PC Plastic



1. Inner Package: L=390mm; W=250mm; H=30mm;
2. There are 10 slot grids on the tray and There 5Pcs In the slot grids.
3. Paste ROHS label and barcode label.
4. Material: PC Plastic.

Outer carton unit (optional): 500 pcs/10 trays/box



1. Package Box : L=425mm; W=295mm; H=380mm;
2. Package Box contain 10 PCS inner package Trays.
3. Material: US CARD+kraft papers.
4. There are 500 PCS products in the Package Box.

Dimensions: cm

ATTENTION: Abracon Corporation's products are COTS – Commercial-Off-The-Shelf products; suitable for Commercial, Industrial and, where designated, Automotive Applications. Abracon's products are not specifically designed for Military, Aviation, Aerospace, Life-dependant Medical applications or any application requiring high reliability where component failure could result in loss of life and/or property. For applications requiring high reliability and/or presenting an extreme operating environment, written consent and authorization from Abracon Corporation is required. Please contact Abracon Corporation for more information.

ABRACON IS
ISO 9001:2008
CERTIFIED



2 Faraday, Suite# B | Irvine | CA 92618 **Revised: 07.01.15**

Ph. 949.546.8000 | Fax. 949.546.8001

Visit www.abracon.com for Terms and Conditions of Sale