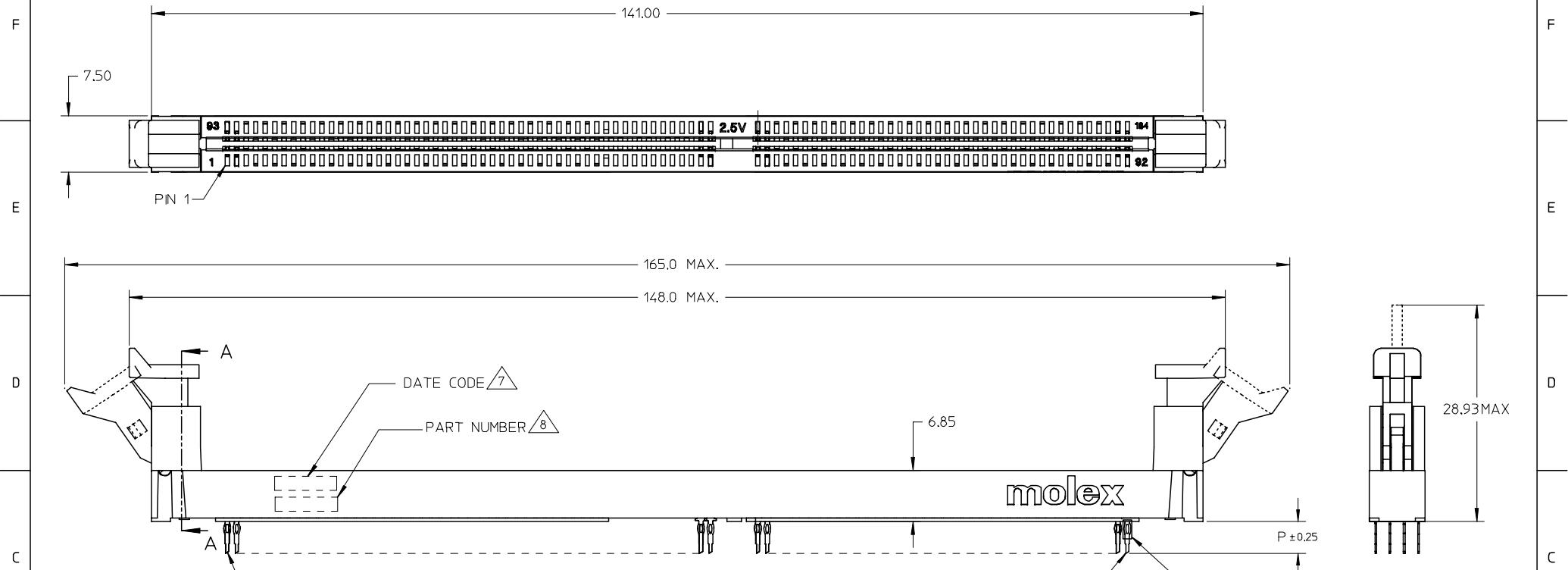


10 9 8 7 6 5 4 3 2 1

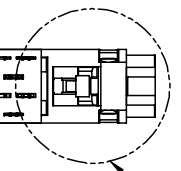
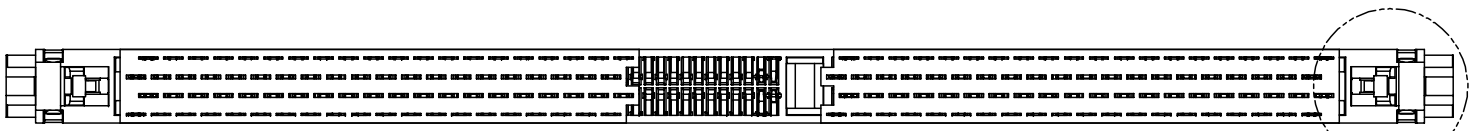


- NOTES:
- CARD SLOT ACCEPTS 1.27±0.10 MODULE THICKNESS. (MEASURED OVER P.C.PADS)
 - RECOMMENDED MODULE LAYOUT SHALL BE PER SHEET 3.
 - RECOMMENDED PLATING ON MODULE PADS: 30u"/0.76uM MINIMUM HARD GOLD OVER 79u"/2uM MINIMUM NICKEL.
 - MATERIAL: HOUSING & LATCH - HIGH TEMP. NYLON, GLASS FILLED, UL 94V-0
HOUSING COLOUR:
NATURAL (OFF WHITE) OR BLACK PER SHEET 5
LATCH COLOR:
CLEAR OR BLACK PER SHEET 5
 - FINISHES: CONTACT AREA: SEE TABLE PER SHEET 5
TAIL AREA: 0.38um(15u") TO 1.52um(60u") TIN/LEAD OR TIN OVER 1.27um(50u") MIN. NICKEL
 - PRODUCT IS PACKAGED IN TRAY.
DATE CODE SHALL BE MARKED LEGIBLY AS YYDD.
PART NUMBER SHALL BE MARKED LEGIBLY AS : 87693-XXXX.

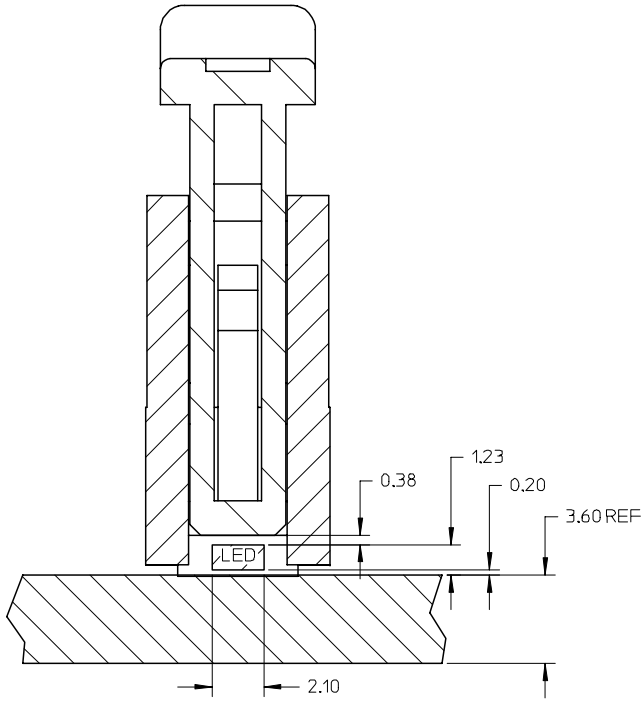
VOID P/N EC NO: S2007-0215 DRWN:SKANG 2006/09/11 CHKD:MLONG 2006/09/13 APPR:SKTOH 2006/09/18	DESCRIPTION	QUALITY SYMBOLS	GENERAL TOLERANCES (UNLESS SPECIFIED)		DIMENSION STYLE MM ONLY		SCALE NTS	DESIGN UNITS METRIC	THIRD ANGLE PROJECTION		
		▽=0 ∇=0	mm	INCH	DRAWN BY VSKHOANG	DATE 2004/02/10	TITLE	DDR DIMM, 1.27MM PITCH 184 CKTS, LIGHTPIPE VERTICAL PRESS-FIT MOLEX INCORPORATED			
			4 PLACES ± ---	± ---	CHECKED BY PTL IM	DATE 2004/02/10					
			3 PLACES ± ---	± ---	APPROVED BY SKTOH	DATE 2004/02/10					
		2 PLACES ± 0.20	± ---	MATERIAL NO.		DOCUMENT NO.	SHEET NO.				
		1 PLACE ± ---	± ---	SEE TABLE		SD-87693-202	1 OF 5				
		ANGULAR ± 3 °		DRAFT WHERE APPLICABLE MUST REMAIN WITHIN DIMENSIONS		THIS DRAWING CONTAINS INFORMATION THAT IS PROPRIETARY TO MOLEX INCORPORATED AND SHOULD NOT BE USED WITHOUT WRITTEN PERMISSION					

9 8 7 6 5 4 3 2 1

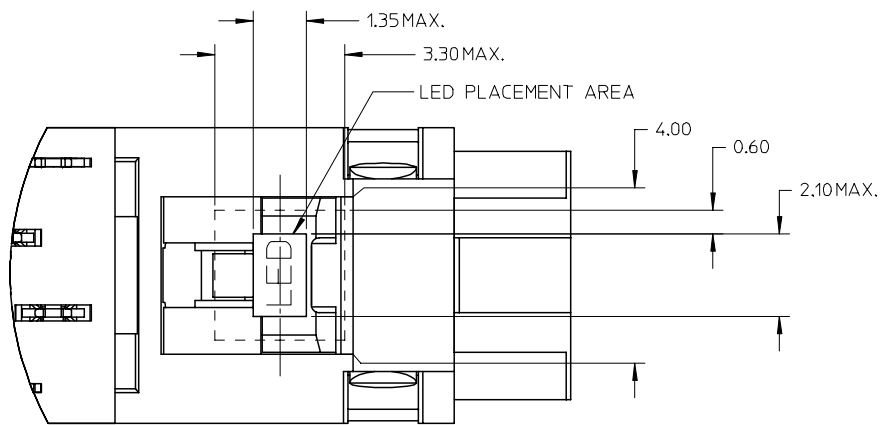
10 9 8 7 6 5 4 3 2 1



Detail2



SECTION A-A



Detail2

VOID P/N EC NO: S2007-0215 DRWN:SKANG CHKD:MLONG APPR:SKTOH	DESCRIPTION 2006/09/11 2006/09/13 2006/09/18	QUALITY SYMBOLS	GENERAL TOLERANCES (UNLESS SPECIFIED)		DIMENSION STYLE MM ONLY		SCALE NTS	DESIGN UNITS METRIC	THIRD ANGLE PROJECTION			
		$\nabla=0$ $\sphericalangle=0$	4 PLACES	± ---	± ---	DRAWN BY VSKHOANG	DATE 2004/02/10	TITLE	DDR DIMM, 1.27MM PITCH			
			3 PLACES	± ---	± ---	CHECKED BY PTL IM	DATE 2004/02/10	184 CKTS, LIGHTPIPE				
			2 PLACES	± 0.20	± ---	APPROVED BY SKTOH	DATE 2004/02/10	VERTICAL PRESS-FIT				
	1 PLACE	± ---	± ---	ANGULAR ± 3 °		MATERIAL NO.		MOLEX INCORPORATED				
DRAFT WHERE APPLICABLE MUST REMAIN WITHIN DIMENSIONS			SEE TABLE		DOCUMENT NO.		SD-87693-202		SHEET NO. 2 OF 5			
THIS DRAWING CONTAINS INFORMATION THAT IS PROPRIETARY TO MOLEX INCORPORATED AND SHOULD NOT BE USED WITHOUT WRITTEN PERMISSION												

9 8 7 6 5 4 3 2 1

10 9 8 7 6 5 4 3 2 1

F

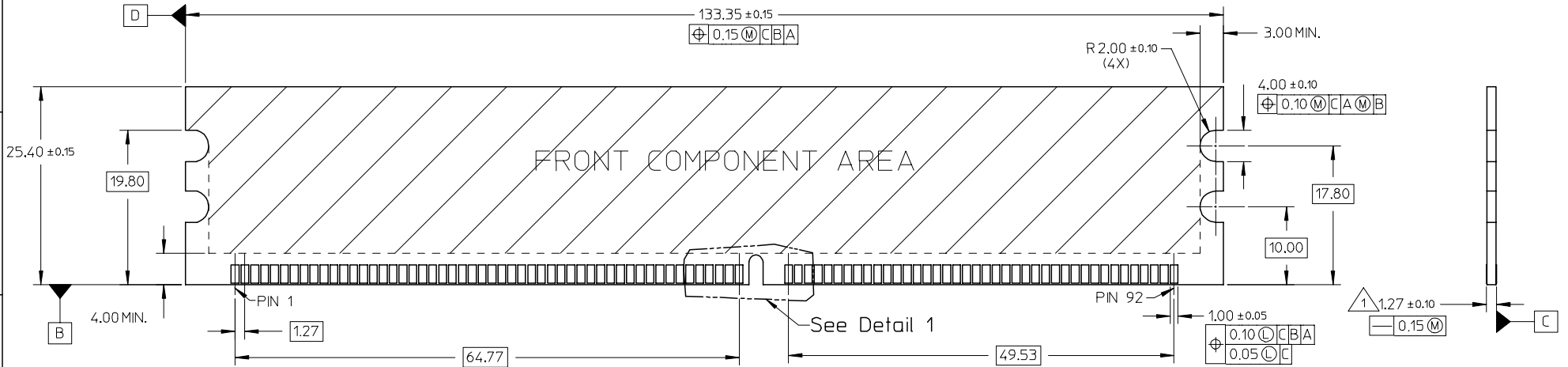
F

NOTES:

- 1 CARD THICKNESS APPLIES ACROSS THE CONTACTS AND INCLUDES PLATING AND/OR METALIZATION. STRAIGHTNESS CALLOUT APPLIES TO ZONE DEFINED BY THE 4.00 CONTACT AREA DIMENSION FOR THE ENTIRE LENGTH OF 133.35.

E

E

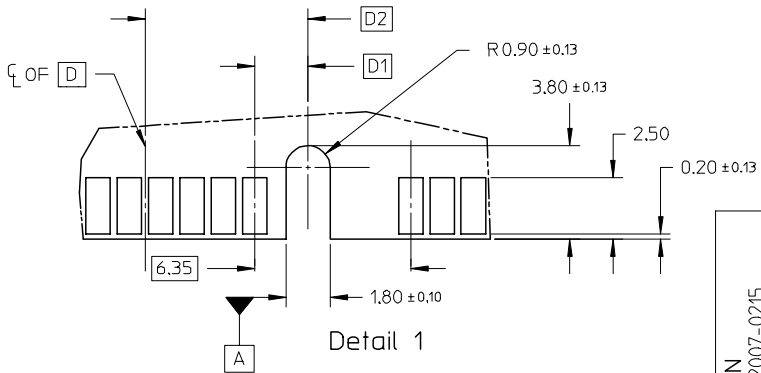


C

C

B

B



A

A

VOID P/N EC NO: S2007-0215 DRWN:SKANG CHKD:MLONG APPR:SKTOH 2006/09/11 2006/09/13 2006/09/18	QUALITY SYMBOLS ▽=0 ▽=0	GENERAL TOLERANCES (UNLESS SPECIFIED) mm INCH 4 PLACES ± --- ± --- 3 PLACES ± --- ± --- 2 PLACES ± 0.20 ± --- 1 PLACE ± --- ± --- ANGULAR ± 3 °	DIMENSION STYLE MM ONLY DRAWN BY VSKHOANG DATE 2004/02/10 CHECKED BY PTL IM DATE 2004/02/10 APPROVED BY SKTOH DATE 2004/02/10	SCALE NTS DESIGN UNITS METRIC THIRD ANGLE PROJECTION	TITLE DDR DIMM, 1.27MM PITCH 184 CKTS, LIGHTPIPE VERTICAL PRESS-FIT
	DRAFT WHERE APPLICABLE MUST REMAIN WITHIN DIMENSIONS	MATERIAL NO. SEE TABLE	DOCUMENT NO. SD-87693-202	SHEET NO. 3 OF 5	
	SIZE A3	THIS DRAWING CONTAINS INFORMATION THAT IS PROPRIETARY TO MOLEX INCORPORATED AND SHOULD NOT BE USED WITHOUT WRITTEN PERMISSION			
	MOLEX INCORPORATED				

9

8

7

6

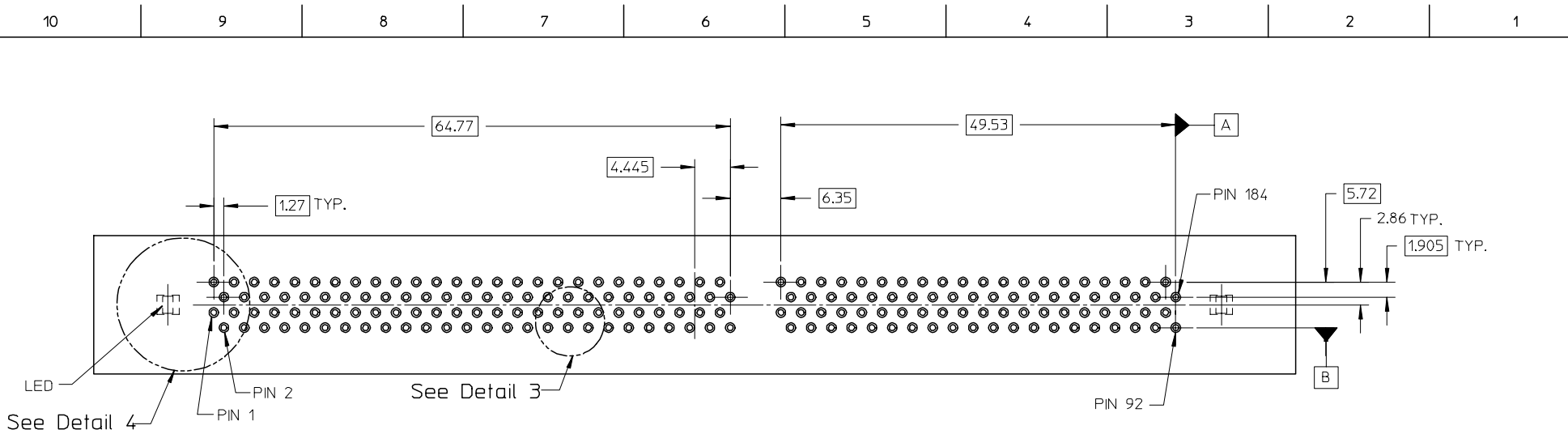
5

4

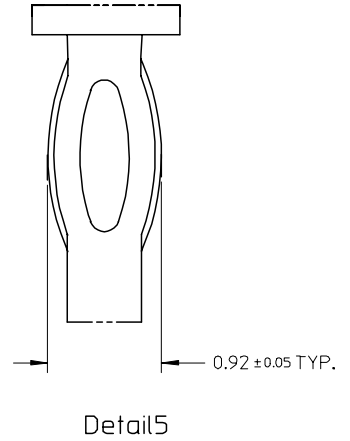
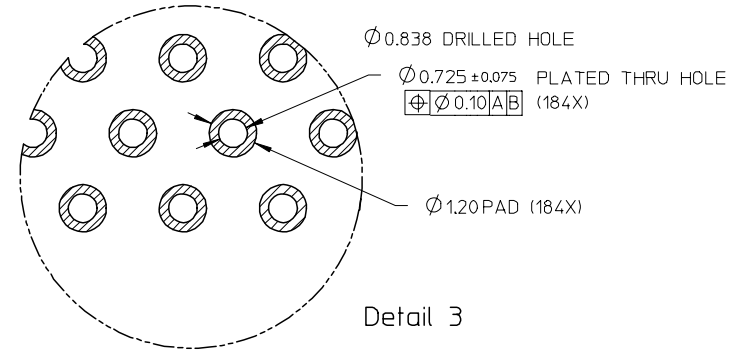
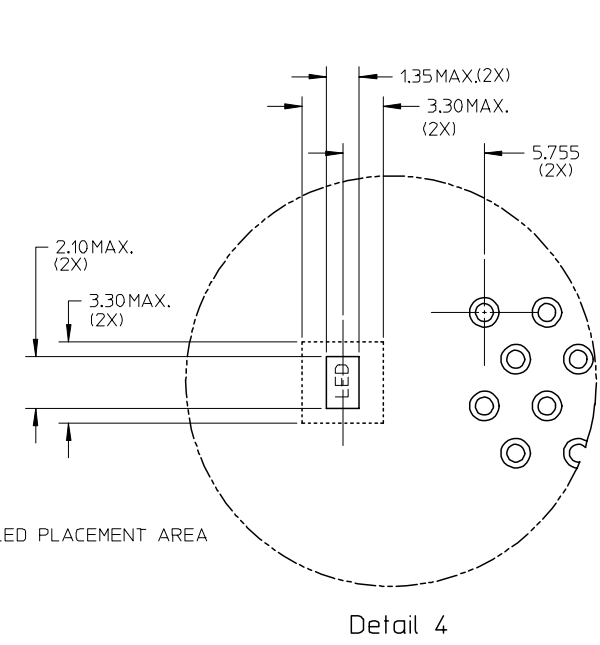
3

2

1



RECOMMENDED P.CBOARD HOLE PATTERN
(SEE RECOMMENDED THICKNESS IN TABLE)



VOID P/N EC NO: S2007-0215 DRWN:SKANG CHKD:MLONG APPR:SKTOH	DESCRIPTION 2006/09/11 2006/09/13 2006/09/18	QUALITY SYMBOLS	GENERAL TOLERANCES (UNLESS SPECIFIED)	DIMENSION STYLE	SCALE	DESIGN UNITS	THIRD ANGLE PROJECTION																		
		$\nabla=0$ $\nabla C=0$	<table border="1"> <tr> <th></th> <th>mm</th> <th>INCH</th> </tr> <tr> <td>4 PLACES</td> <td>± ---</td> <td>± ---</td> </tr> <tr> <td>3 PLACES</td> <td>± ---</td> <td>± ---</td> </tr> <tr> <td>2 PLACES</td> <td>± 0.20</td> <td>± ---</td> </tr> <tr> <td>1 PLACE</td> <td>± ---</td> <td>± ---</td> </tr> <tr> <td colspan="3">ANGULAR ± 3 °</td> </tr> </table>		mm	INCH	4 PLACES	± ---	± ---	3 PLACES	± ---	± ---	2 PLACES	± 0.20	± ---	1 PLACE	± ---	± ---	ANGULAR ± 3 °			MM ONLY	NTS	METRIC	
			mm	INCH																					
		4 PLACES	± ---	± ---																					
3 PLACES	± ---	± ---																							
2 PLACES	± 0.20	± ---																							
1 PLACE	± ---	± ---																							
ANGULAR ± 3 °																									
DRAFT WHERE APPLICABLE MUST REMAIN WITHIN DIMENSIONS	SEE TABLE	DRAWN BY: VSKHOANG CHECKED BY: PTL IM APPROVED BY: SKTOH DATE: 2004/02/10	TITLE: DDR DIMM, 1.27MM PITCH 184 CKTS, LIGHTPIPE VERTICAL PRESS-FIT	MOLEX INCORPORATED	SHEET NO. 4 OF 5																				
						DOCUMENT NO. SD-87693-202																			

	10	9	8	7	6	5	4	3	2	1				
F		PLATING OPTION	PART NUMBER	TAIL LENGTH P±0.25	RECOMMENDED PCB THICKNESS	VOLTAGE KEY	DESCRIPTION	D1	D2	FINISHES CONTACT AREA	HOUSING COLOUR	LATCH		
E		TIN/LEAD	87693-4201	4.30	4.57	2.5 VOLT	LEFT	2.175	6.62	SELECTIVE GOLD 15u"/0.38uM MIN. GOLD OVER 50u"/1.27uM MIN. NICKEL	BLACK	BLACK		
	87693-4301		3.32	3.60										
	87693-4202		4.30	4.57	1.8 VOLT	CENTER	3.175	7.62						
	87693-4302		3.32	3.60										
	87693-4211		4.30	4.57	2.5 VOLT	LEFT	2.175	6.62	SELECTIVE GOLD 30u"/0.76uM MIN. GOLD OVER 50u"/1.27uM MIN. NICKEL	BLACK	CLEAR			
	87693-4311		3.32	3.60										
	87693-4212		4.30	4.57	1.8 VOLT	CENTER	3.175	7.62						
	87693-4312		3.32	3.60										
	87693-5201		4.30	4.57	2.5 VOLT	LEFT	2.175	6.62	SELECTIVE GOLD 15u"/0.38uM MIN. GOLD OVER 50u"/1.27uM MIN. NICKEL	BLACK	CLEAR			
	87693-5301		3.32	3.60										
	87693-5202		4.30	4.57	1.8 VOLT	CENTER	3.175	7.62						
	87693-5302		3.32	3.60										
	87693-5211		4.30	4.57	2.5 VOLT	LEFT	2.175	6.62	SELECTIVE GOLD 30u"/0.76uM MIN. GOLD OVER 50u"/1.27uM MIN. NICKEL	BLACK	CLEAR			
	87693-5311		3.32	3.60										
	87693-5212	4.30	4.57	1.8 VOLT	CENTER	3.175	7.62							
	87693-5312	3.32	3.60											
D		TIN	87693-6311	3.32	3.60	2.5 VOLT	LEFT	2.175	6.62	NATURAL	NATURAL			
	87693-0201		4.30	4.57	2.5 VOLT	LEFT	2.175	6.62	SELECTIVE GOLD 15u"/0.38uM MIN. GOLD OVER 50u"/1.27uM MIN. NICKEL	BLACK	BLACK			
	87693-0301		3.32	3.60										
	87693-0202		4.30	4.57	1.8 VOLT	CENTER	3.175	7.62						
	87693-0302		3.32	3.60										
	87693-0311		3.32	3.60	2.5 VOLT	LEFT	2.175	6.62	SELECTIVE GOLD 30u"/0.76uM MIN. GOLD OVER 50u"/1.27uM MIN. NICKEL	BLACK				
	87693-1201		4.30	4.57	2.5 VOLT	LEFT	2.175	6.62	SELECTIVE GOLD 15u"/0.38uM MIN. GOLD OVER 50u"/1.27uM MIN. NICKEL	BLACK	CLEAR			
	87693-1301		3.32	3.60										
	87693-1202		4.30	4.57	1.8 VOLT	CENTER	3.175	7.62						
	87693-1302		3.32	3.60										
	87693-1211		4.30	4.57	2.5 VOLT	LEFT	2.175	6.62	SELECTIVE GOLD 30u"/0.76uM MIN. GOLD OVER 50u"/1.27uM MIN. NICKEL	BLACK	CLEAR			
	87693-1311		3.32	3.60										
	87693-2311		3.32	3.60	2.5 VOLT	LEFT	2.175	6.62				NATURAL	NATURAL	

A	VOID P/N EC NO: S2007-0215 DRWNS:KANG CHKD:M LONG APPR:SKTOH	2006/09/11 2006/09/13 2006/09/18	REV	DESCRIPTION	QUALITY SYMBOLS ▽=0 ◇=0	GENERAL TOLERANCES (UNLESS SPECIFIED)		DIMENSION STYLE MM ONLY		SCALE	DESIGN UNITS	THIRD ANGLE PROJECTION			
								DRAWN BY	DATE	NTS	METRIC				
								4 PLACES	± ---	± ---	VSKHOANG		2004/02/10	TITLE	DDR DIMM, 1.27MM PITCH 184 CKTS, LIGHTPIPE VERTICAL PRESS-FIT
								3 PLACES	± ---	± ---	CHECKED BY		DATE		
		2 PLACES	± 0.20	± ---	PTL IM	2004/02/10									
		1 PLACE	± ---	± ---	APPROVED BY	DATE									
		ANGULAR ± 3 °		SKTOH	2004/02/10										
		DRAFT WHERE APPLICABLE MUST REMAIN WITHIN DIMENSIONS		MATERIAL NO.		SEE TABLE		DOCUMENT NO.	SHEET NO.						
				SD-87693-202		5 OF 5									