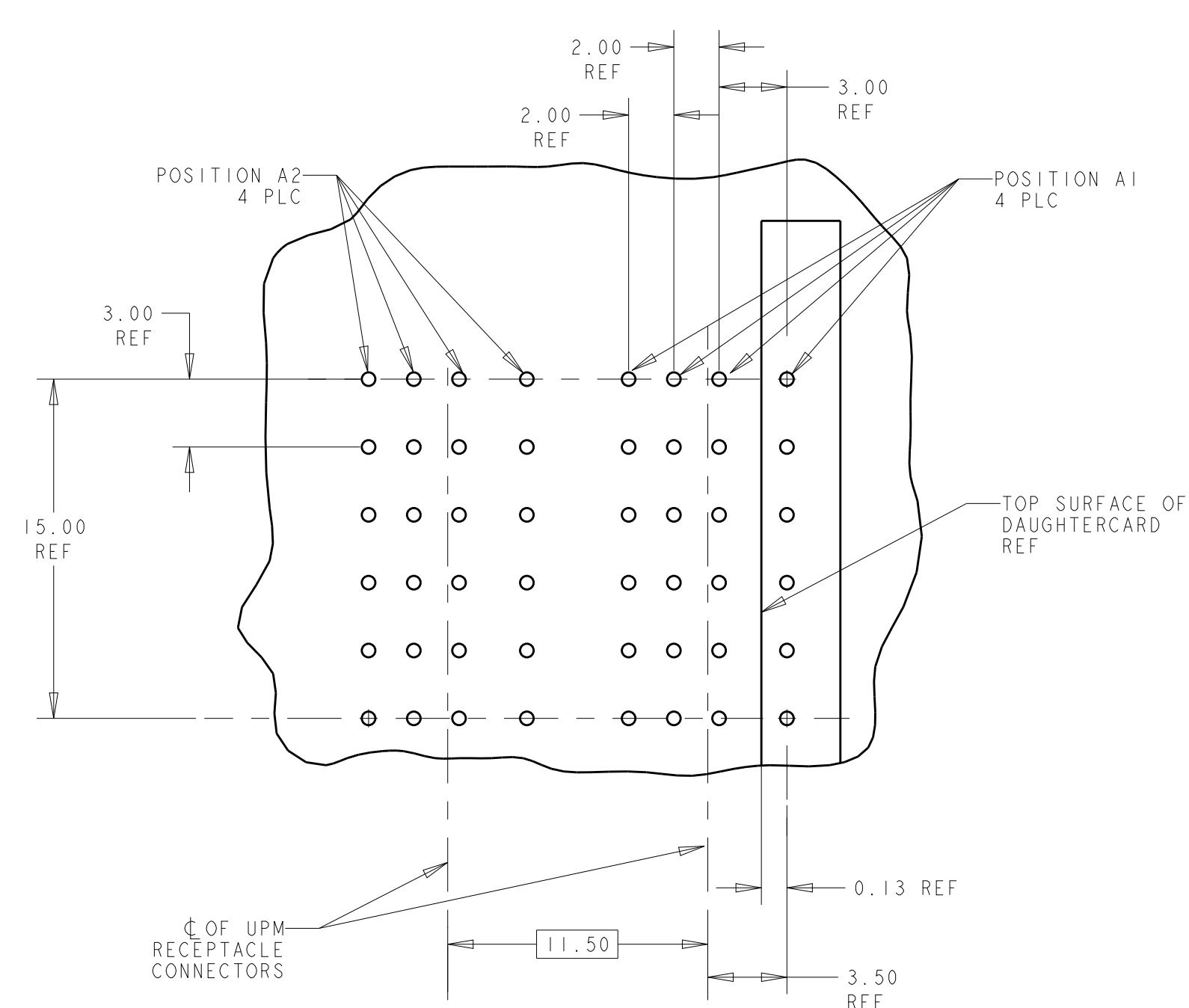
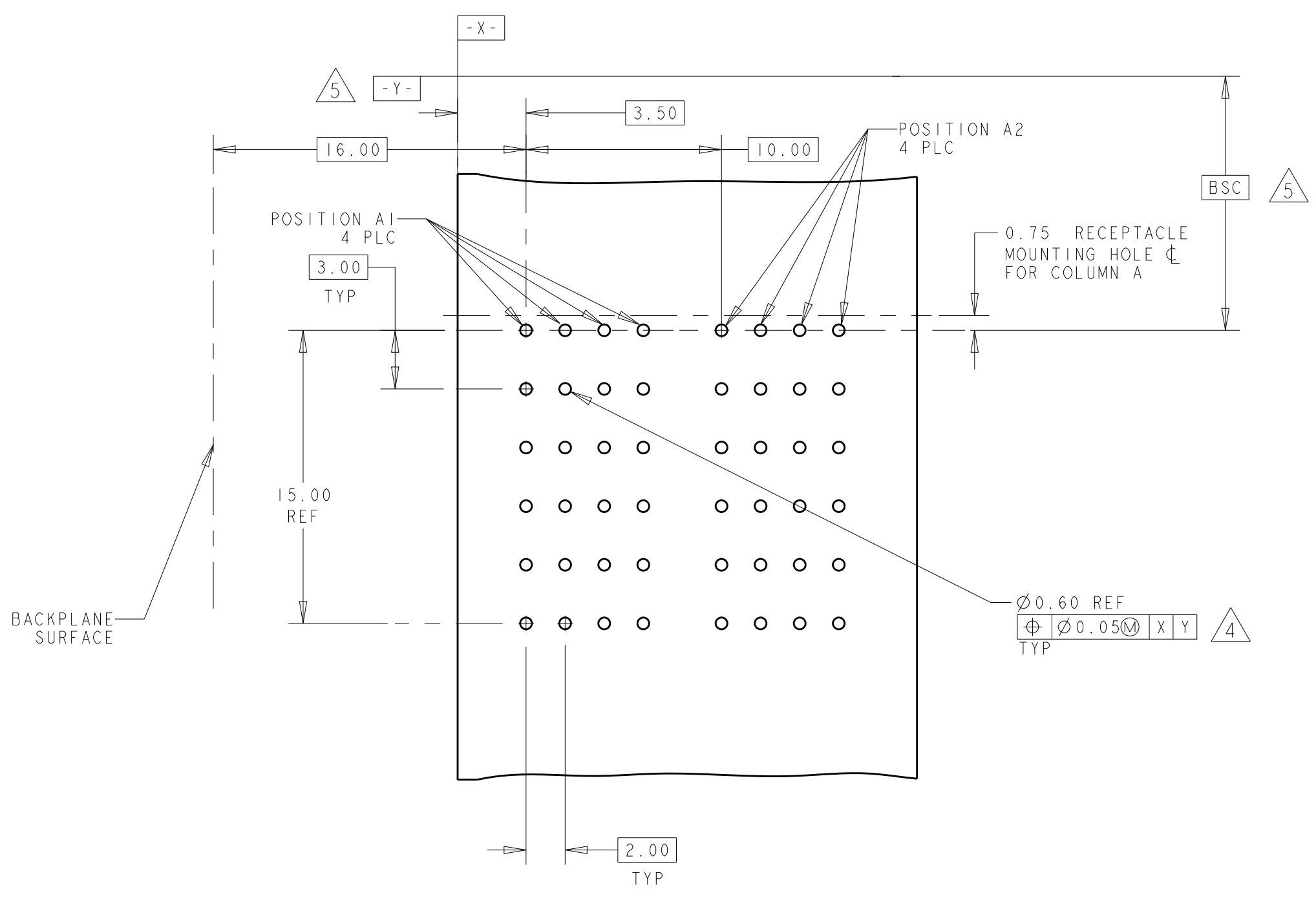
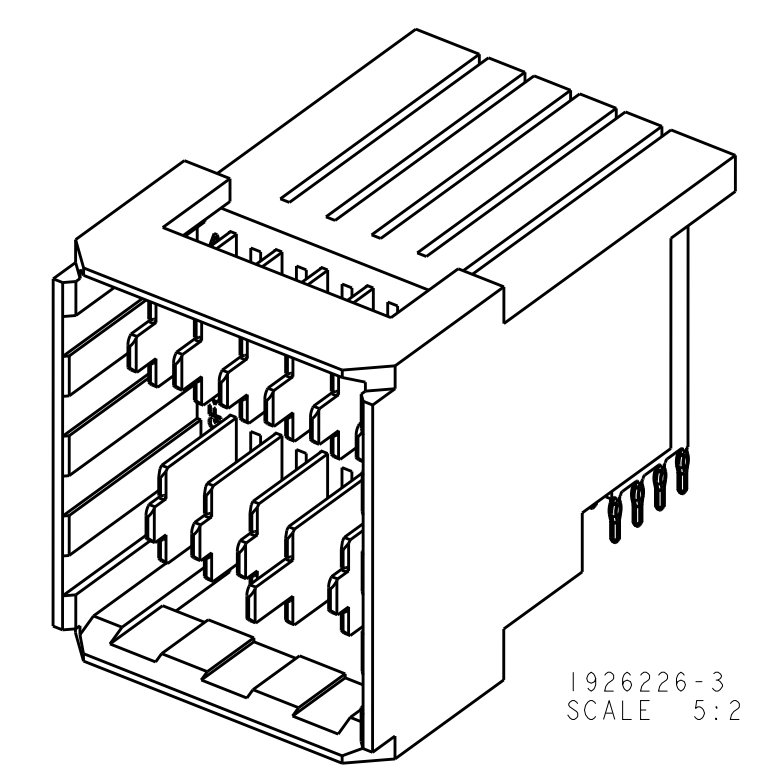
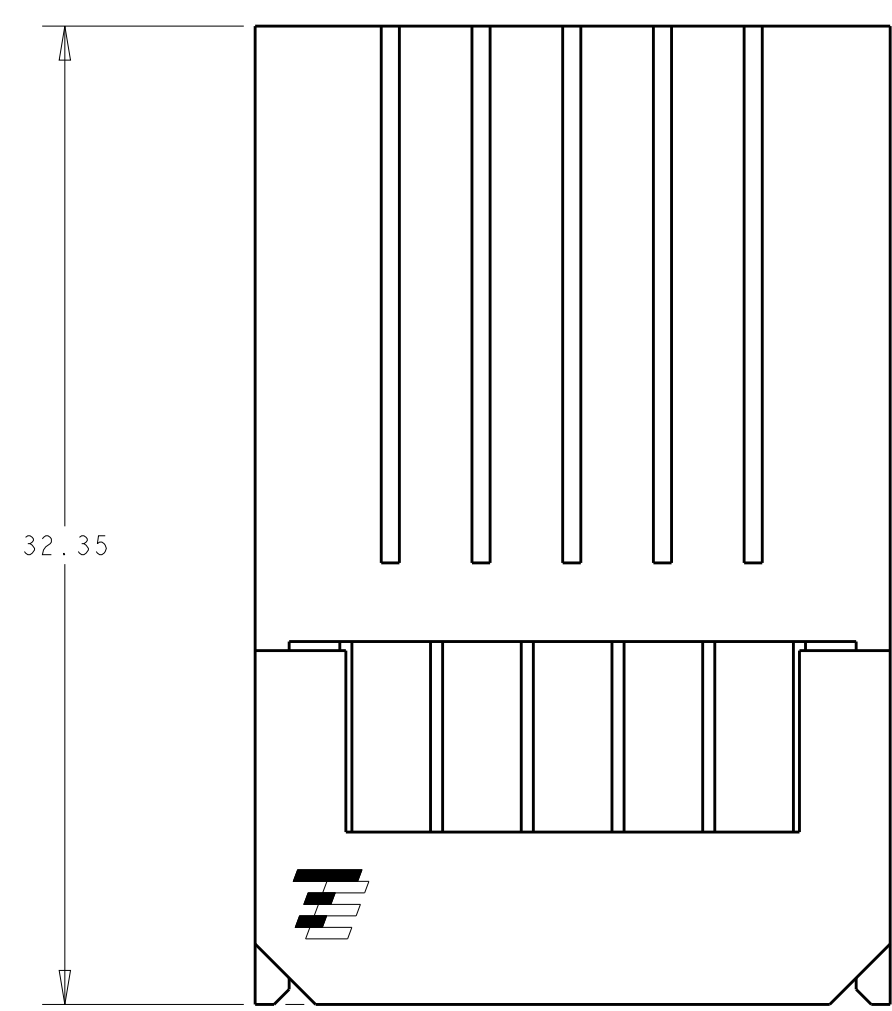


LOC		DIST		REVISIONS			
P	LTN	DESCRIPTION	DATE	DMN	APVD	OL	SZ
I		FIRST RELEASE	11OCT2012	OL	SZ		

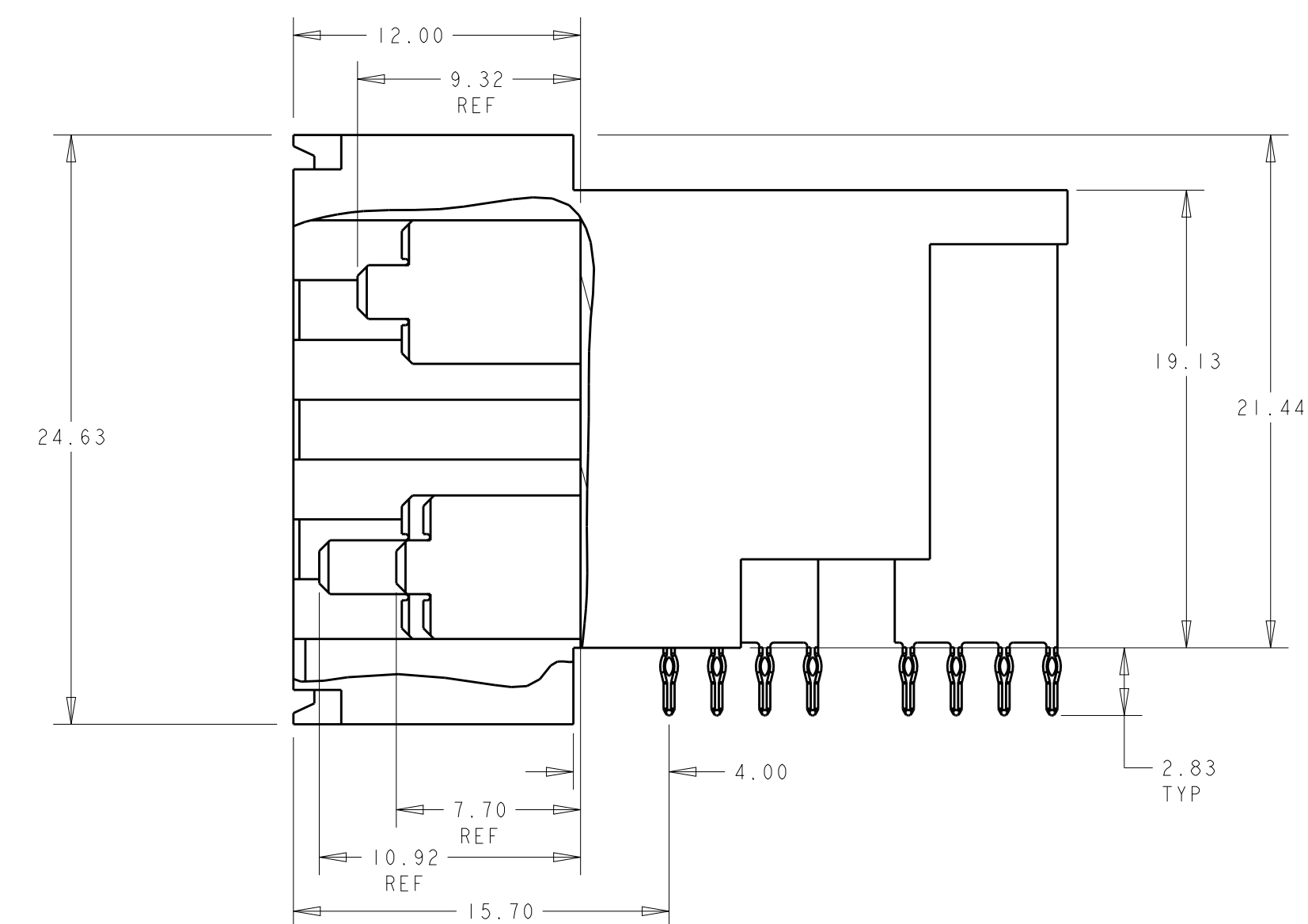
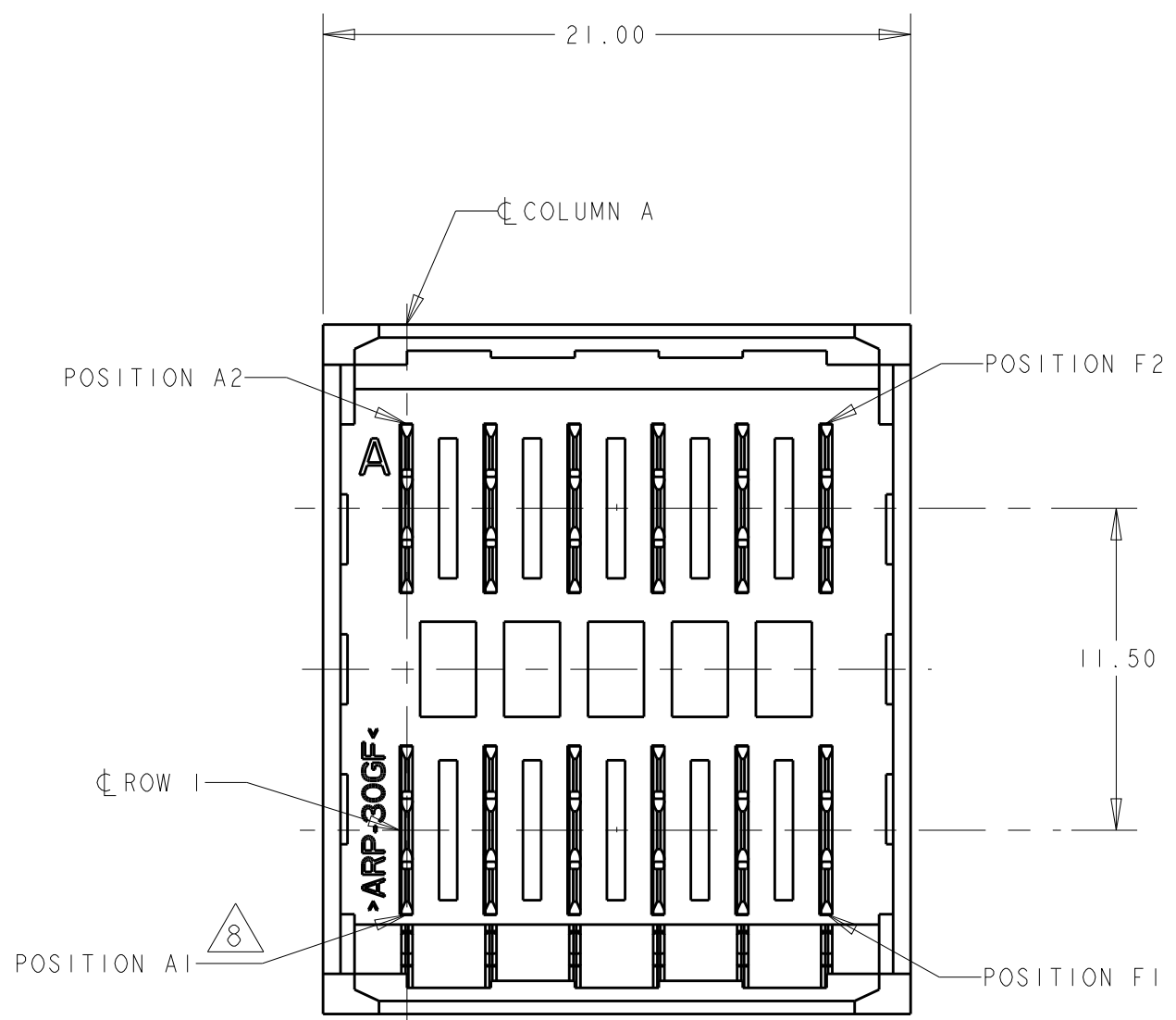
- 1 MATERIAL: HOUSING: POLYESTER. COLOR: BLACK, UL 94 V-0
CONTACT: COPPER ALLOY.
- 2 FINISH: CONTACT MATING AREA: 0.0076 mm MIN GOLD PLATE OVER 0.00127 mm MIN NICKEL, OR 0.0005 mm MIN GOLD OVER 0.00064 mm PALLADIUM-NICKEL OVER 0.00127 mm MIN NICKEL.
COMPLIANT TAIL AREA: 0.0005 mm MIN BRIGHT TIN PLATE OVER 0.00127 mm NICKEL UNDERPLATE.
- 3 TAILS OF MATING UPM STYLE RECEPTACLE ARE OFFSET BY .75 mm FROM TAILS OF THIS CONNECTOR. SEE CUSTOMER DRAWING 120992 FOR RECEPTACLE EXAMPLE. SEE APPLICATION SPEC 114-1103 FOR MORE DETAILED DESCRIPTION OF THE TAIL OFFSETS.
- 4 PC BOARD HOLE SPECIFICATIONS:
DRILLED HOLE SIZE: 0.700±0.02 mm
FINISHED HOLE SIZE: 0.60±0.05 mm
PLATING THICKNESS:
0.025 - 0.050 mm COPPER
0.004 - 0.010 mm HASL TIN
0.0005 mm MIN IMMERSION TIN
0.0002 - 0.0005 mm OSP
0.0001mm MIN IMMERSION SILVER
0.0001-0.0005 mm IMMERSION GOLD OVER 0.004-0.005 mm NICKEL
- 5 DATUM AND BASIC DIMENSIONS ESTABLISHED BY CUSTOMER.
- 6 MINIMUM REQUIRED PC BOARD THICKNESS IS 1.4mm.
- 7 CONTACT AREA LUBRICATED WITH BELLCORE APPROVED LUBRICANT. TECHNICAL REFERENCE GR-1217-CORE, ISSUE 1 NOVEMBER 1995.
- 8 POSITION A1 IS AT MATERIAL ID.



MATING RECEPTACLE PCB LAYOUT 3



RECOMMENDED PCB LAYOUT 6



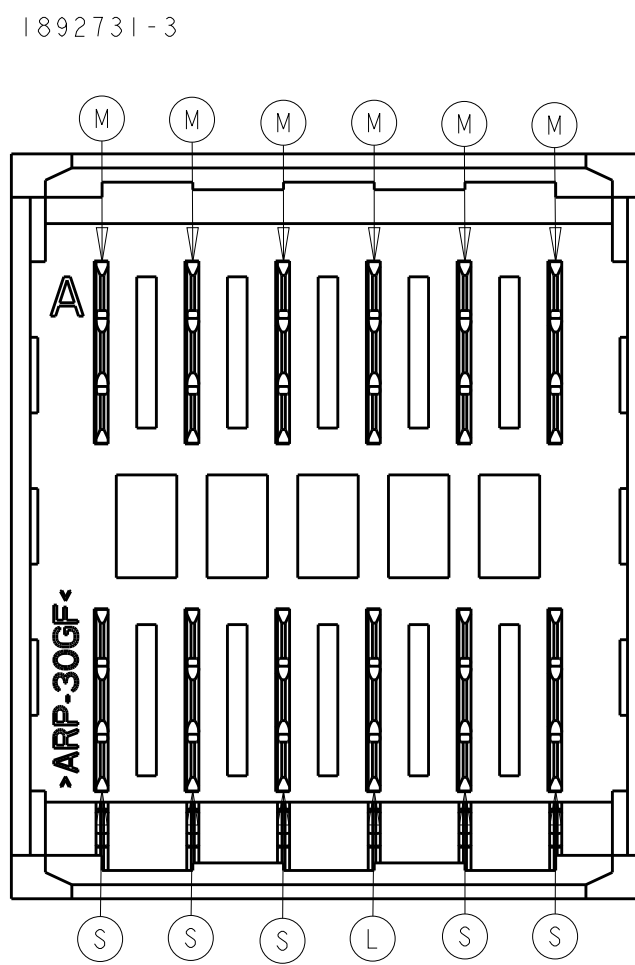
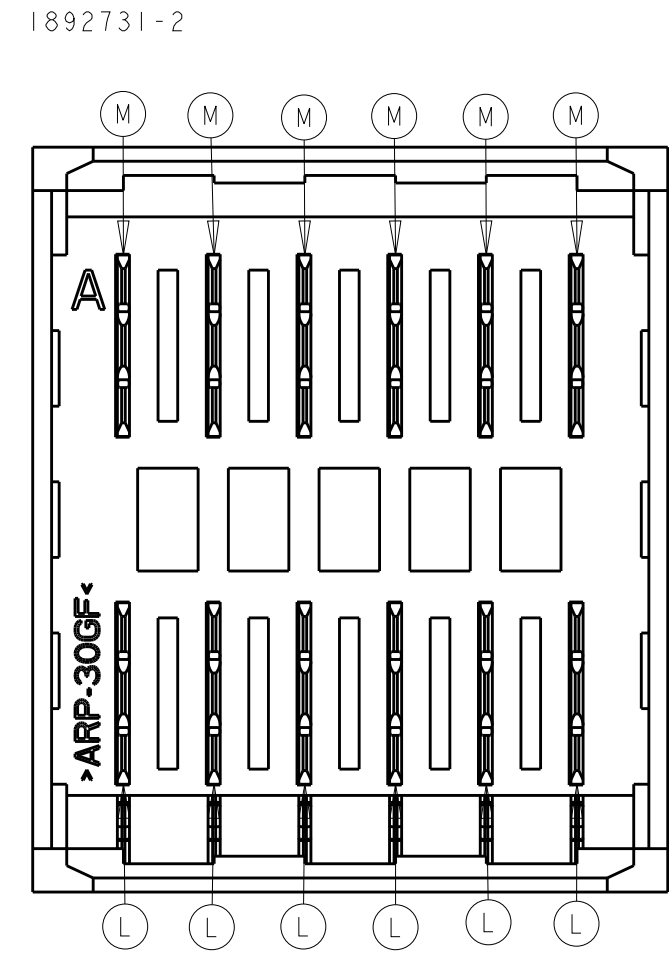
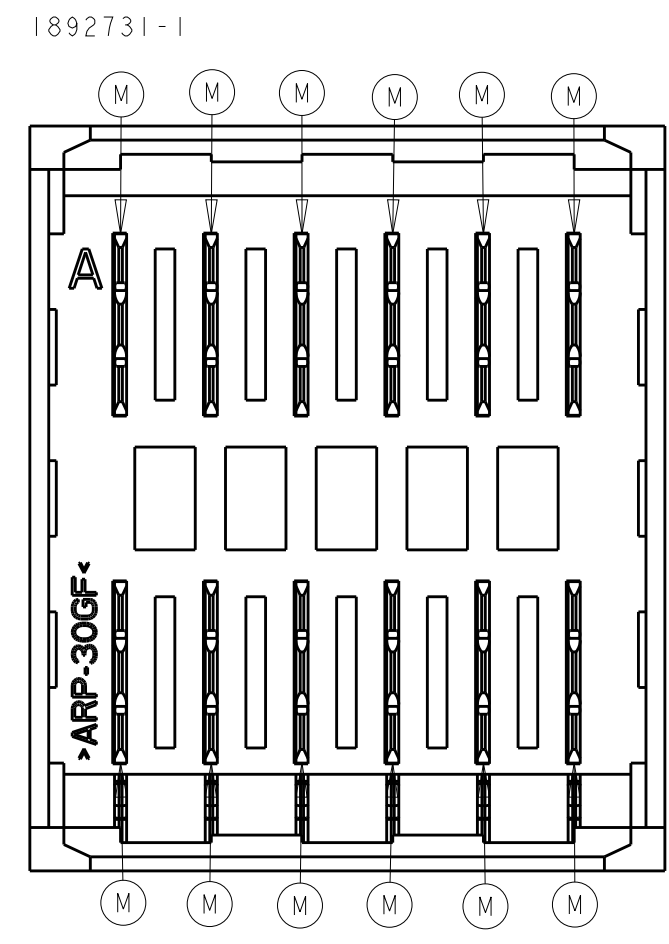
D1	A2,B2,C2,D2,E2,F2	A1,B1,C1,E1,F1	1892731-3
A1,B1,C1,D1,E1,F1	A2,B2,C2,D2,E2,F2	-	1892731-2
-	ALL	-	1892731-1
POSITIONS LOADED WITH LONG 10.92 REF CONTACTS	POSITIONS LOADED WITH MIDDLE 9.32 REF CONTACTS	POSITIONS LOADED WITH SHORT 7.70 REF CONTACTS	PART NO

DIMENSIONS:		TOLERANCES UNLESS OTHERWISE SPECIFIED:		DWG: 11OCT2012		CHK: ORANDO LL		11OCT2012		Tyco Electronics Harrisburg, PA 17105-3608	
mm	0 PLC ±.25	1 PLC ±.25	2 PLC ±.25	3 PLC ±.25	4 PLC ±.25	ANGLES ±1°	FINISH 2	PRODUCT SPEC 108-2289	APPLICATION SPEC 114-13269	WEIGHT	Customer Drawing
MATERIAL 1		FINISH 2		DWG: 11OCT2012		CHK: SUNY ZHAO		11OCT2012		Tyco Electronics Harrisburg, PA 17105-3608	
NAME ASSEMBLY, RIGHT ANGLE CONNECTOR MINIPAK HDE 2X6 POSITION		SIZE CAGE CODE DRAWING NO		RESTRICTED TO		SCALE 3:1		SHEET 1 OF 2		REV 1	

THIS DRAWING IS UNPUBLISHED. RELEASED FOR PUBLICATION 20
 COPYRIGHT 20 BY TYCO ELECTRONICS CORPORATION. ALL RIGHTS RESERVED.

LOC		DIST		REVISIONS			
GS	00	P	LTH	DESCRIPTION	DATE	DWN	APVD
		-		SEE SHEET 1		-	-

SEQUENCE LOADING PATTERNS VIEWED INTO MATING FACE OF CONNECTOR



<small>THIS DRAWING IS UNPUBLISHED. RELEASED FOR PUBLICATION 20. COPYRIGHT 20 BY TYCO ELECTRONICS CORPORATION. ALL RIGHTS RESERVED.</small> <small>IT IS THE POLICY OF TYCO ELECTRONICS CORPORATION TO OBTAIN AND MAINTAIN THE HIGHEST QUALITY AND RELIABILITY IN ALL PRODUCTS AND SERVICES. THE CUSTOMER IS ADVISED THAT THE COMPANY DOES NOT WARRANT THE PERFORMANCE OF ANY PRODUCT OR SERVICE FOR THE LATEST VERSION.</small>		DWN: ORANDO LL 17OCT2012 CHK: OL 17OCT2012 APVD: SUNY ZHAO 17OCT2012	Tyco Electronics Harrisburg, PA 17105-3608
DIMENSIONS: mm	TOLERANCES UNLESS OTHERWISE SPECIFIED: 0 PLC ±.25 1 PLC ±.25 2 PLC ±.25 3 PLC ±.25 4 PLC ±.25 ANGLES ±1°	NAME: ASSEMBLY, RIGHT ANGLE CONNECTOR MINIPAK HDE 2X6 POSITION PRODUCT SPEC: 108-2289 APPLICATION SPEC: 114-13269	SIZE: A CAGE CODE: 00779 DRAWING NO: 1892731 RESTRICTED TO: Customer Drawing
MATERIAL: FINISH:	WEIGHT:	SCALE: 4:1	SHEET: 2 OF 2 REV: 1