

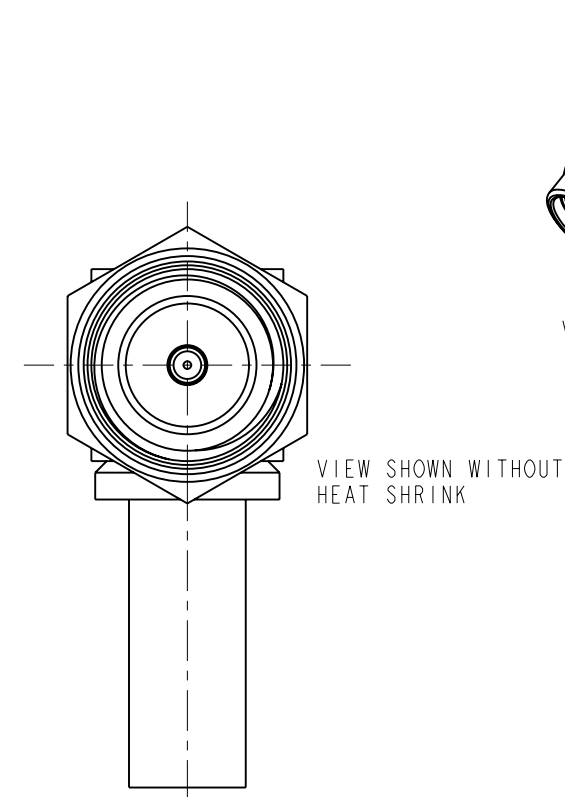
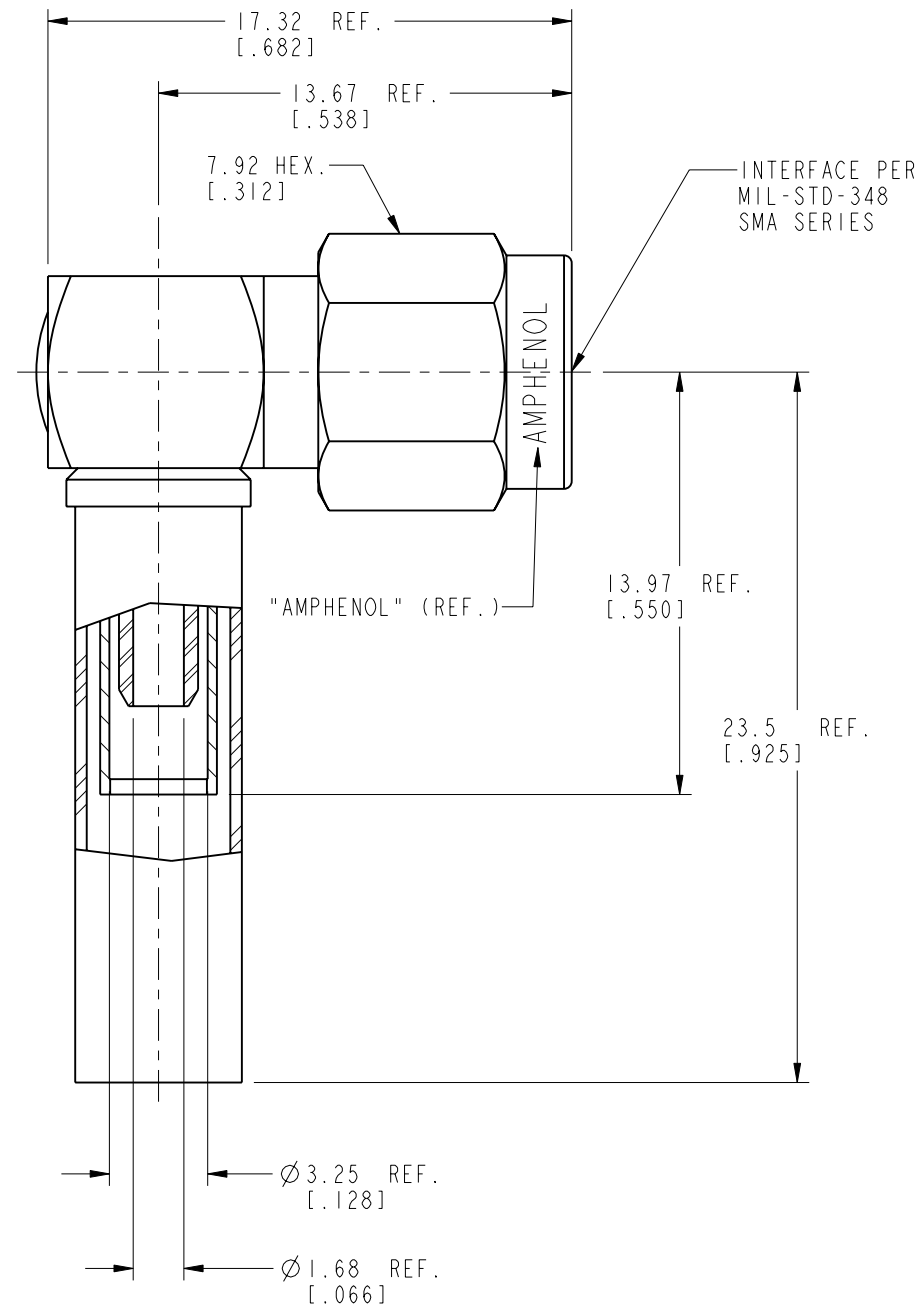
NOTES:

1. MATERIALS AND FINISHES:
 BODIES - STAINLESS STEEL, GOLD PLATING
 CONTACT PIN - BERYLLIUM COPPER, GOLD PLATING
 INSULATOR - PTFE, NATURAL
 FERRULE - COPPER, GOLD PLATING
2. ELECTRICAL:
 A. IMPEDANCE: 50 OHM
 B. FREQUENCY RANGE: DC 0-18 GHz
 C. VSWR: 1.15 + 0.03f(GHz) MAX.
 D. DIELECTRIC WITHSTANDING VOLTAGE: 750 VRMS, MIN.
3. MECHANICAL:
 A. DURABILITY: 500 CYCLES MIN.
 B. TEMPERATURE RANGE: - 65°C to +165°C
4. PACKAGING:
 A: QUANTITY: SINGLE PACK
 B: MARKING: BAG TO BE MARKED
 "AMPHENOL, 901-9531-3, AND DATE CODE"
5. FOR CABLE STRIPPING AND ASSEMBLY INSTRUCTIONS
 SEE 349-50180, SHEET 6, USE CRIMP TOOL 227-944
 WITH DIE SET 227-1221-03, CAVITY 'A'
 (M22520/5-03 CLOSURE 'A') .128 HEX.

THIRD ANGLE PROJ.

REVISIONS

REV	DESCRIPTION	DATE	ECO	APPR
A	RELEASE TO MFG.	9/12/88	35827	PB
T	SEE SHEET 1	7/10/06	46155	CPM
U	ARFA:SYNCH THE DRAWING WITH DANBURY RF:SEE SHEET 1	18-Aug-12	49022	SH



CUSTOMER OUTLINE DRAWING

ALL OTHER SHEETS ARE FOR INTERNAL USE ONLY

UNLESS OTHERWISE SPECIFIED, DIMENSIONS ARE IN METRIC AND TOLERANCES ARE: 0.5 - 6mm ±0.1mm 6 - 30mm ±0.2mm 30 - 120mm ±0.3mm ANGLES ±1°	MATERIAL	DRAWN R. MAO	DATE 07-Aug-12	TITLE SMA MALE RIGHT ANGLE FOR RG-316 CABLE			Amphenol RF Danbury CT USA, Tainan, Taiwan, Shenzhen, China www.amphenolrf.com		
	REFERENCE D.O.R. 313431 611X-704 GEN# ASSYMI-SMA	ENGINEER G. TILTON	DATE 19-Mar-96						
NOTICE - These drawings, specifications, or other data (1) are, and remain the property of Amphenol corp. (2) must be returned upon request; and (3) are confidential and not to be disclosed to any person other than those to whom they are given by Amphenol Corp. the furnishing of these drawings, specifications, or other data by Amphenol Corp., or to any other person to anyone for any purpose is not to be regarded by implication or otherwise in any manner licensing, granting rights to permitting such holder or any other person to manufacture, use or sell any product, process or design, patented or otherwise, that may in any way be related to or disclosed by said drawings, specifications, or other data.	FINISH	APPROVED SCOTT	DATE 07-Aug-12	SCALE: 5.0:1.0	SHEET 2 OF 2	DRAWING NO. 901-9531-3			
		CAD FILE I:\SMA\901-9531-3			DWG SIZE B	CODE ID 74868	REV U	ITEM NO. 901-9531-3	
								PART NO. 901-9531-3	