

PART NAME

NEMA 4X DIE CAST ALUMINUM ENCLOSURE

PART No.

AN-1305, AN-1305-G, AN-2805 & AN-2805-B

REV. DATE

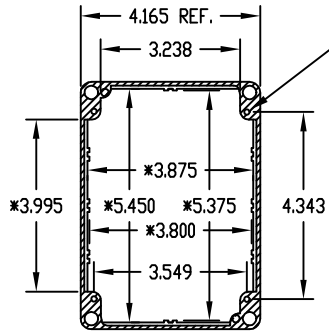
12-17-08

MATERIAL: ALUMINUM ALLOY #ADC-12

FINISH: NATURAL (NO SUFFIX)  
GRAY (SUFFIX -G)  
SMOOTH BLACK (SUFFIX -B)

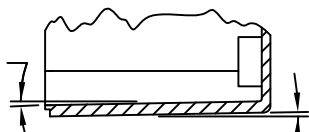
NOTES:

- 1) FOUR (4) M4 x 20mm (0.787") LG. SCREWS SUPPLIED FOR ASSEMBLY OF COVER TO BODY.
- 2) ALL HOLE DIAMETERS HAVE ±0.005 TOLERANCE  
ALL OTHER DIMENSIONS HAVE ±0.015 TOLERANCE

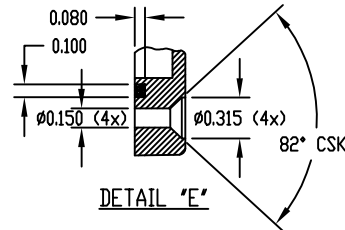


Ø0.125 x 0.250 DEEP (4x)  
ACCEPTS M3.5 x 6mm  
SELF-TAPPING SCREW  
(NOT SUPPLIED)

1° DRAFT REF.



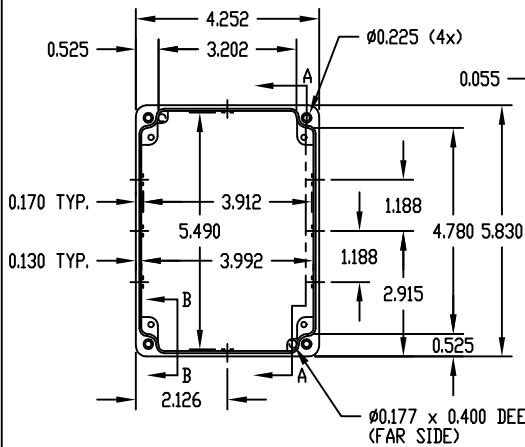
SECTION "B-B"



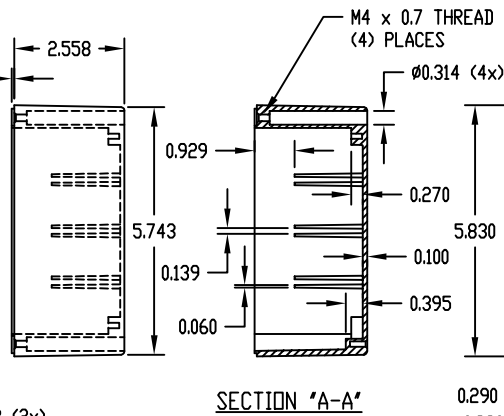
DETAIL "E"

SECTION "C-C"

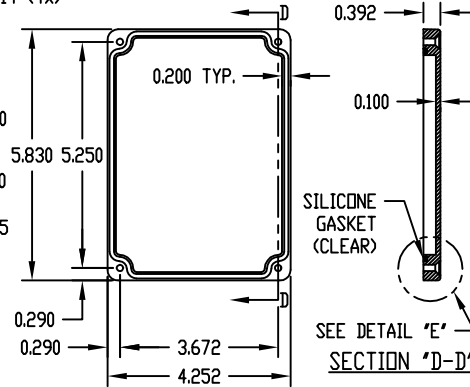
\* DIMENSIONS ARE AT  
BOTTOM OF ENCLOSURE



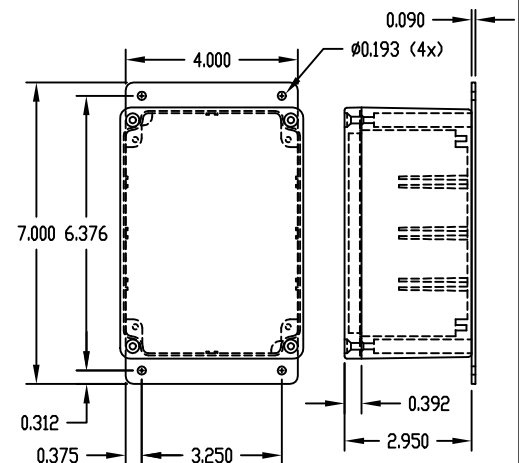
BODY



SECTION "A-A"



COVER



PART NO. AN-2805 & AN-2805-B  
ARE SUPPLIED WITH A WELDED  
ON MOUNTING BRACKET ONLY.