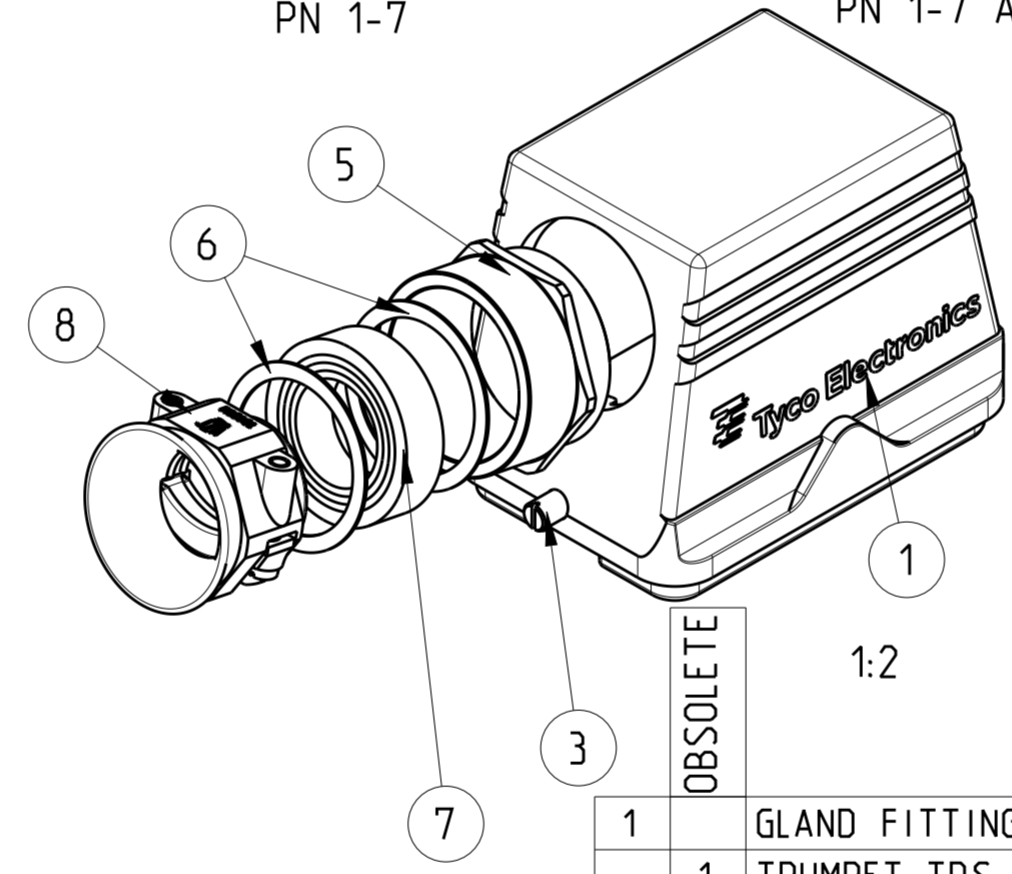
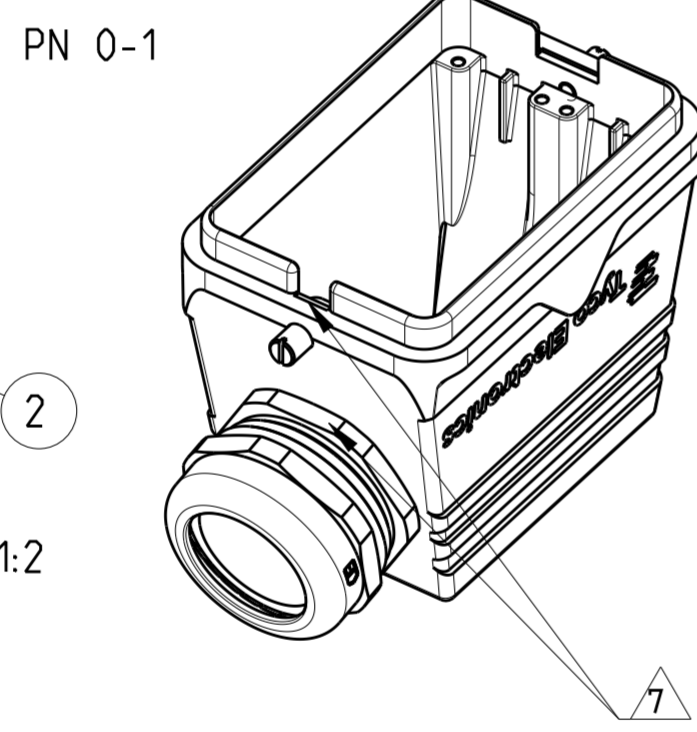
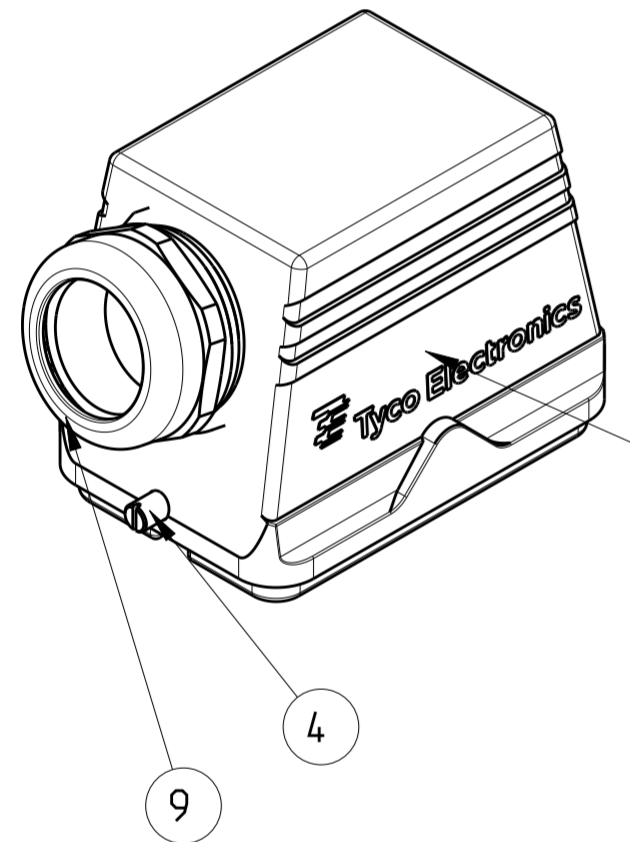
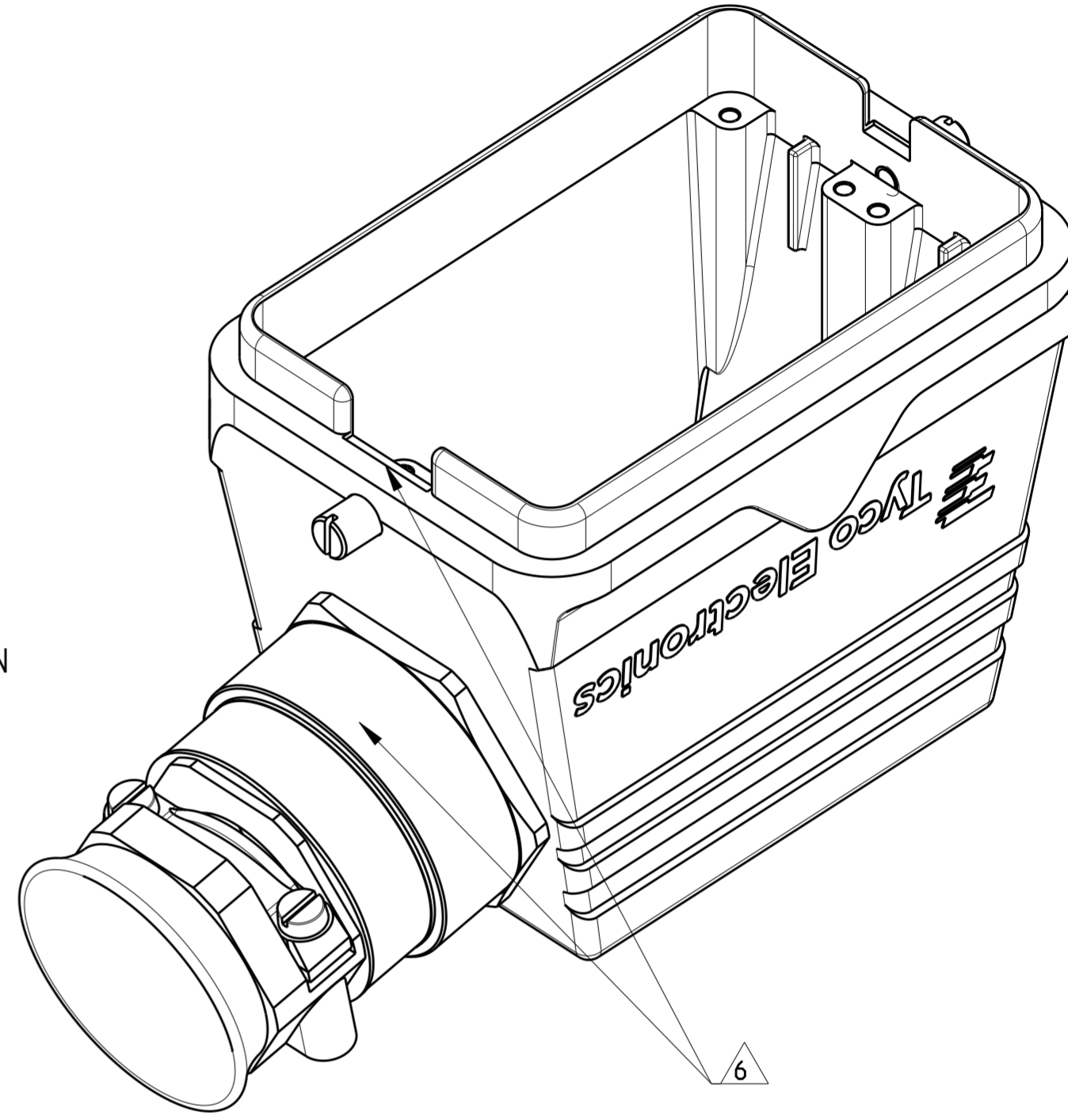
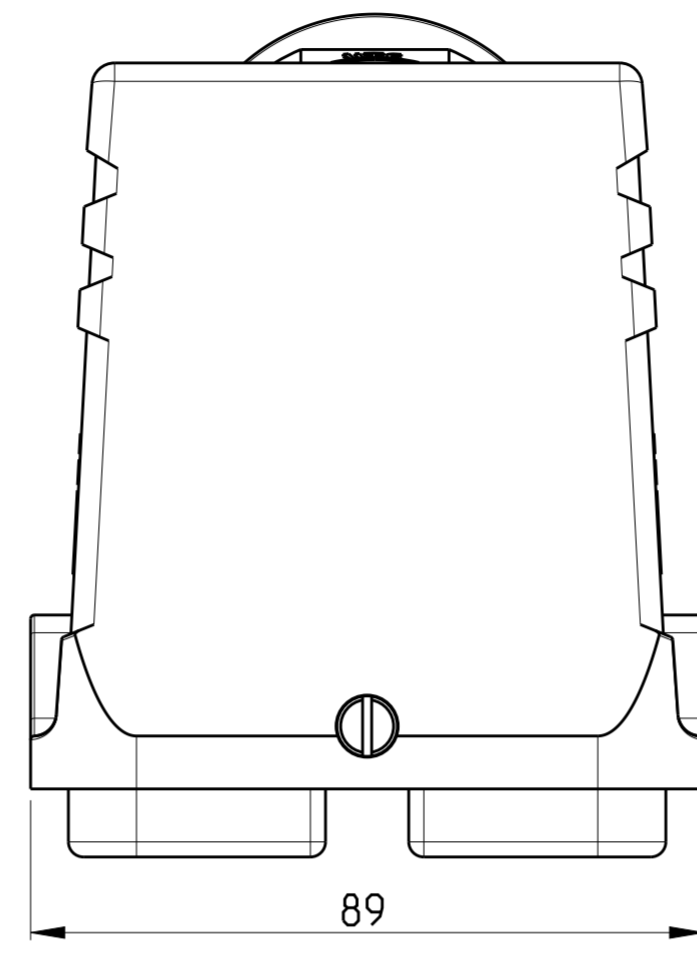
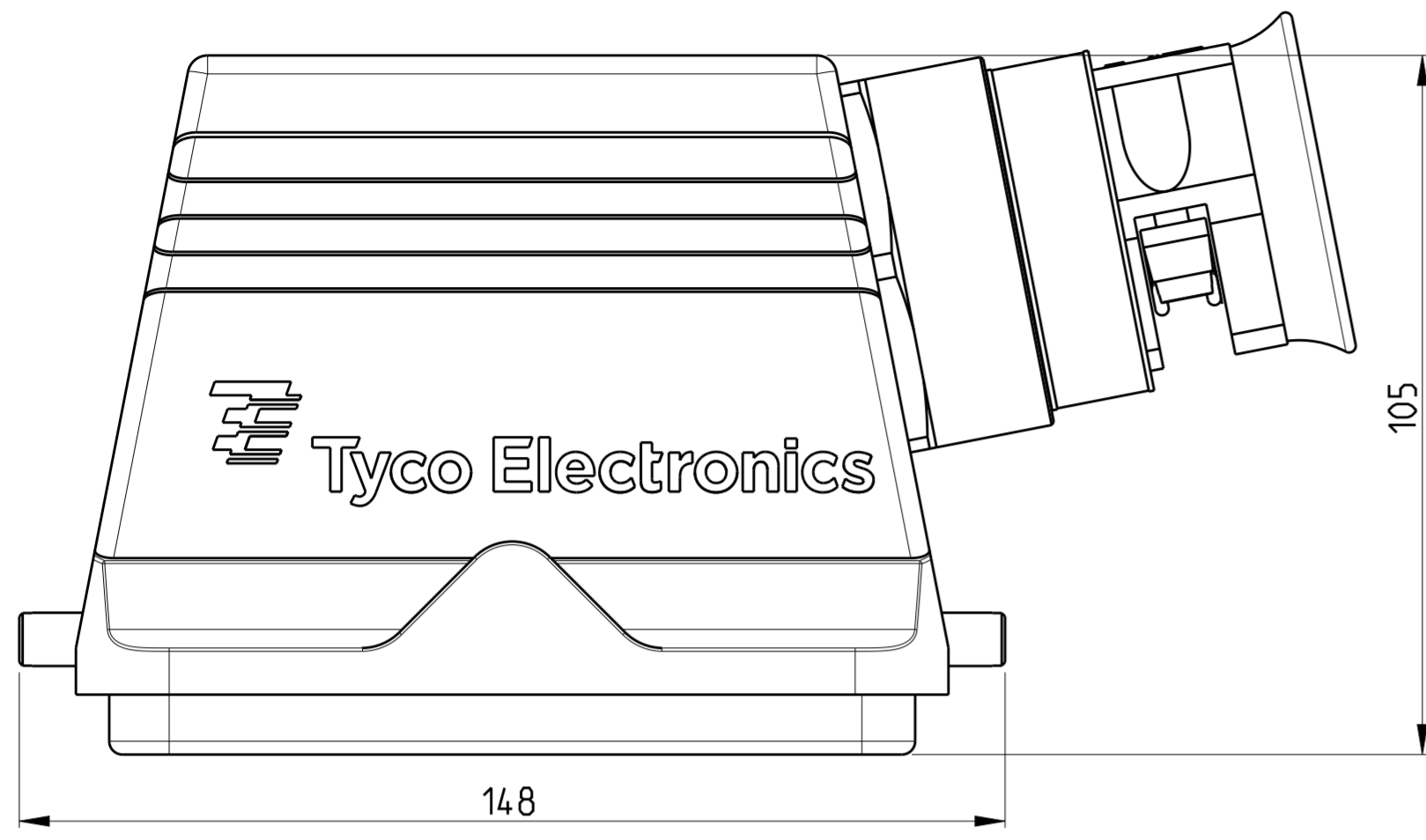


THIS DRAWING IS UNPUBLISHED. RELEASED FOR PUBLICATION 2006
 © COPYRIGHT 2006 BY - ALL RIGHTS RESERVED.

REVISIONS					
P	LTR	DESCRIPTION	DATE	DWN	APVD
A2		nwe pro/E drawing ECR-08-031218	27OCT2008	SR	SM
A3		ECR-09-017250	15SEP2009	VG	ST
A4		ECR-10-008205	29APR2010	VG	AR
A5		ECR-15-016632	28NOV2016	GCM	MKO



OBSOLETE

NOTES

- 1 SUITABLE HOUSINGS: SERIES HB 48, SIZE 12
SEE CUSTOMER DRAWING:
1102389, 1102391, 1102393, 1102395, 1102397,
1106481, 1107001, 1107003, 1107005, 1107007
- 2 SUITABLE INSERTS: SERIES SIZE 12
SEE CUSTOMER DRAWING:
1103640, 1103641, 1103112, 1103113, 1103216, 1103217,
1103220, 1103221, 1103032, 1103033, 1102886, 1102887, 1108780, 1103250
- 3 STANDARDS:
DIN EN 61984, DIN EN 60664-1
- 4 PACKAGING: QUANTITY 3 PIECES
- 5 VARNISHING INSIDE HOUSING NOT REQUIRED
- 6 GLAND FITTING THREAD IS ORIENTATED TO THE BIGGEST POLARIZATION NOTCH
- 7 GLAND FITTING THREAD IS ORIENTATED TO THE SMALLER POLARIZATION NOTCH

QTY	DESCRIPTION	MATERIAL	SURFACE	COLOR	ITEM	NOTES	
1	GLAND FITTING	BRASS	NICKEL PLATED	-	9	PG42	
1	TRUMPET TDS	ALU	-	WITHOUT VARNISH	8	PG42	
1	SEALING RING	NEOPRENE	-	BLACK	7	PG42	
2	THRUST RING	STEEL	ZINC PLATED	-	6	PG42	
1	ADAPTOR	BRASS	NICKEL PLATED	-	5	PG42	
2	CLIP BOLT	STAINL. STEEL	BLANK	-	4	-	
2	CLIP BOLT	STEEL	BLANK	-	3	-	
1	HOOD HB-K	ALU	ALUMINIUM OXID	BLACK	2	- 7	
1	HOOD HB	ALU	-	GREY	1	-	
0-1	1-7	DESCRIPTION	MATERIAL	SURFACE	COLOR	ITEM	NOTES
		HB.48.STS-GR.1.42					
		HB-K.48.STS-GR.1.42-C code					

THIS DRAWING IS A CONTROLLED DOCUMENT.

DWN: R. SCHNEIDER 27OCT2008
 CHK: T. SCHNURPFEL 27OCT2008
 APVD: -

TE Connectivity

NAME: CONNECTOR HOUSING ASS'Y
 SERIES HB.48, SIZE 12

SIZE: A2 CAGE CODE: 00779 DRAWING NO: C-1102377 RESTRICTED TO: -

CUSTOMER DRAWING SCALE: 1:1 SHEET: 1 OF 1 REV: A5