

SPECIFICATIONS

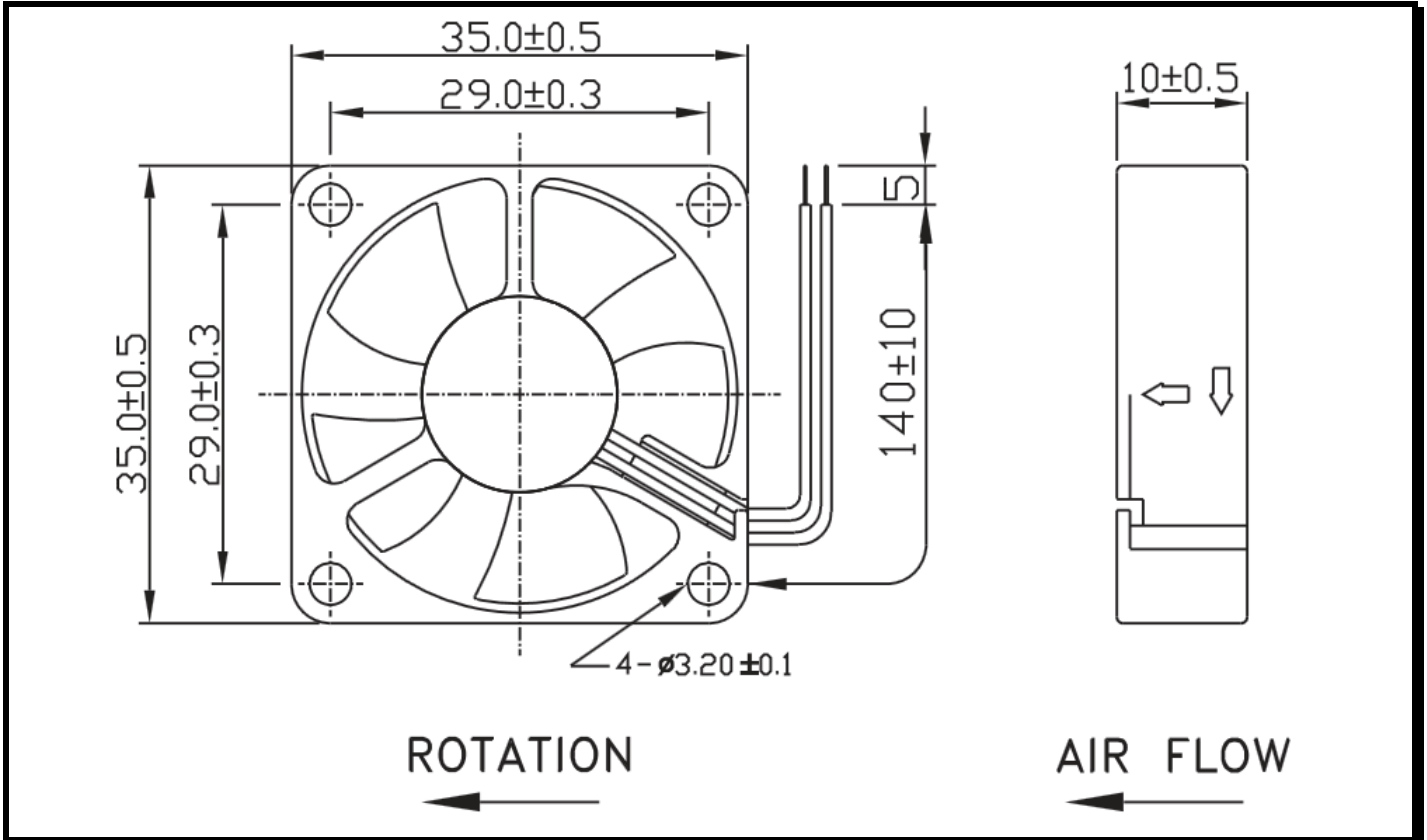
"Preliminary data"



Model Number: CR3505DB-G50(T)
Part Number: 17000201A

Version:
Apr 11, 2017

Mechanical Drawing:



Motor:

| | |
|-------------------------|---------------------------------|
| Nominal Voltage | = 5 VDC |
| Nominal Running Current | = 0.04 Amps |
| Power Input | = 0.21 Watts |
| Speed | = 4500 RPM |
| Bearings | = Ball |
| Air Flow | = 3.0 CFM |
| Static Pressure: | = 0.05 Inch of H ₂ O |
| Acoustic | = 17.0 dB(A) |
| Weight | = 9.0 g |

Construction:

Housing: UL94V-0 Glass Filled Polyester (P.B.T)
Impeller: UL94V-0 Glass Filled Polyester (P.B.T)

Life Expectancy:

This fan is designed for continuous duty life of 70,000 hours at 40°C.

Additional Features:

Brushless DC Motor
Locked Rotor Protection
Polarity Protected
Automatic Restart Capability
Operating Temperature: -10° C to 70° C
Storage Temperature: -40° C to 70° C

Termination:

140 ± 10 mm Lead wires, AWG 28, UL 1571

Agency Approvals:

UL, CUL, TUV, CE