

4

3

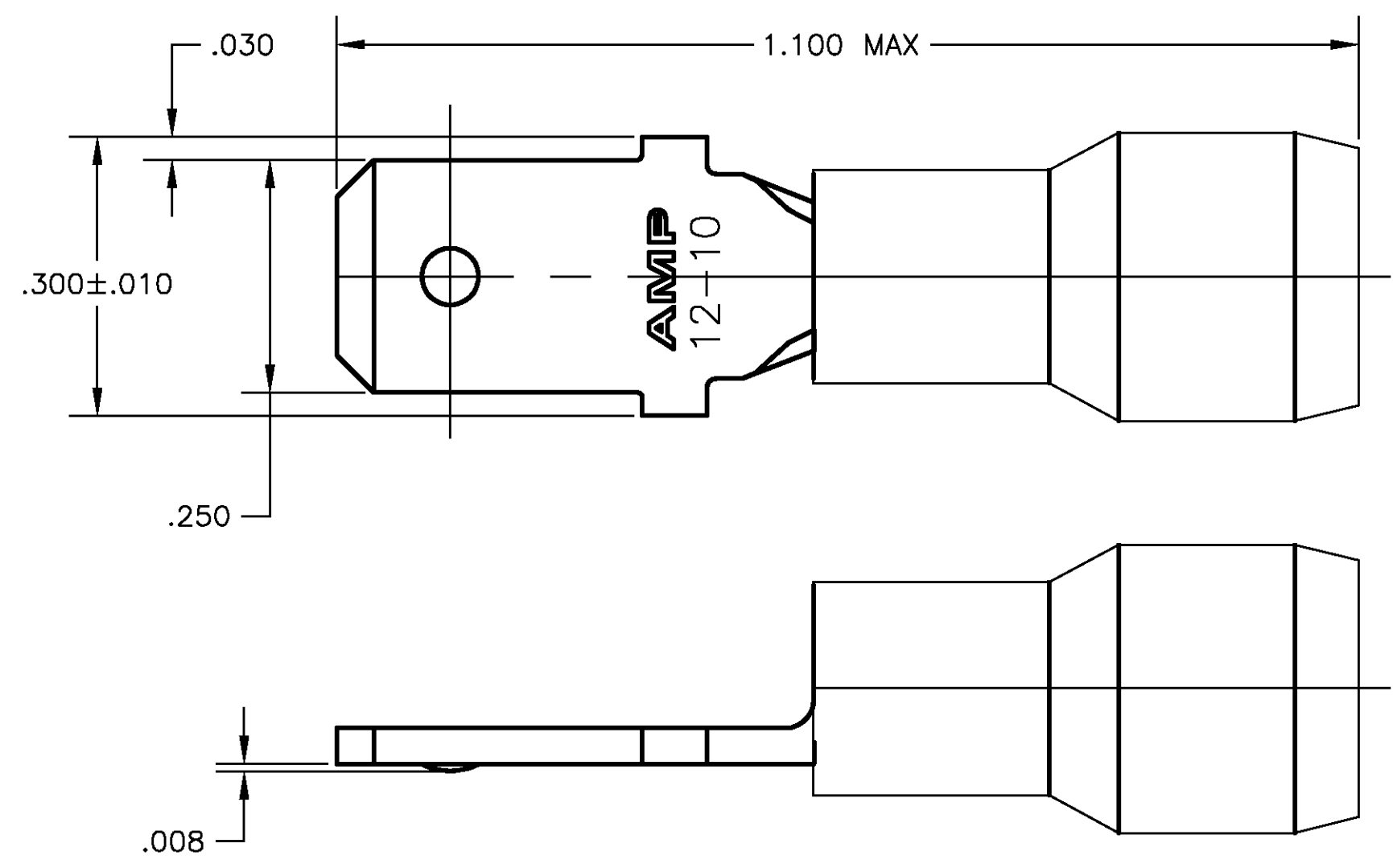
2

1

THIS DRAWING IS UNPUBLISHED. RELEASED FOR PUBLICATION  
 © COPYRIGHT - BY TYCO ELECTRONICS CORPORATION. ALL RIGHTS RESERVED.

LOC	DIST	REVISIONS			
P	LTR	DESCRIPTION	DATE	DWN	APVD
G	86	G	REDRAWN PER 0G3A-0427-02	10SEP02	JR TM

- 1 STAMPED "AMP 12-10".
- 2 WIRE INSULATION DIA .150-.230.
- 3 MATERIAL THK IS .039±.002



QTY	SLEEVE	MATERIAL & FINISH	PACKAGING TYPE	PART NO	
50		YELLOW, PVC	COPPER, TIN	LOOSE PIECES	66025-6
2500		YELLOW, PVC	COPPER, TIN	TAPE MTD	66025-4
500		YELLOW, PVC	COPPER, TIN	LOOSE PIECES	66025-2
50		YELLOW, PVC	COPPER, NONE	LOOSE PIECES	66025-1

THIS DRAWING IS A CONTROLLED DOCUMENT.		DWN JR RUTH 10SEP2002	Tyco Electronics Corporation Harrisburg, PA 17105	
DIMENSIONS: INCHES 		CHK T MICHIELUTTI 10SEP02	NAME PIDG TAB ASSEMBLY	
TOLERANCES UNLESS OTHERWISE SPECIFIED: 0 PLC ± - 1 PLC ± .1 2 PLC ± .02 3 PLC ± .005 4 PLC ± - ANGLES ± 1°		APVD T MICHIELUTTI 10SEP02	PRODUCT SPEC -	
MATERIAL SEE TABLE		FINISH SEE TABLE	APPLICATION SPEC -	RESTRICTED TO -
WEIGHT -		SIZE A3	CAGE CODE 00779	DRAWING NO G-66025
CUSTOMER DRAWING			SCALE 6:1	SHEET 1 OF 1 REV G