

Magnetically Compensated Choke, 1-phase, flat design



Approvals and Compliances

Description

- Current compensated choke
- 1-phase choke
- THT-terminals
- Inductor horizontally positioned in housing
- SMD version on request

Applications

- Attenuation of common mode interferences
- Designed for 230/400 VAC applications
- Chopper amplifiers
- DC drives and stepper motor controls
- Switching power supplies

Weblinks

[pdf datasheet](#), [html-datasheet](#), [General Product Information](#), [Distributor-Stock-Check](#), [Detailed request for product](#), [SPICE Library](#)

Technical Data

Rated voltage	up to 440 VAC	Test Voltage	1.8kV, 50Hz, 1 min, winding to winding
Rated Current	0.4 - 6.3A @ Ta 40 °C	Isolation Voltage	2 kV eff., winding to ambient
Rated inductance	0.6 - 40mH, Tol. -30% +50%	Climatic Category	25/100/21 acc. to IEC 60068-1
Power Operating Frequency	50 - 400Hz	Allowable Operation Temp.	-25 °C to 100 °C
Terminal Type	THT		
Weight	5 - 16g		
Material: Housing	UL 94V-0		
Sealing Compound	UL 94V-0		

Approvals and Compliances

Detailed information on product approvals, code requirements, usage instructions and detailed test conditions can be looked up in [Details about Approvals](#)

Approvals

The approval mark is used by the testing authorities to certify compliance with the safety requirements placed on electronic products.

Approval Reference Type: DFKF2

Approval Logo	Certificates	Certification Body	Description
	UL Approvals	UL	UL File Number:

Application standards

Application standards where the product can be used

Organization	Design	Standard	Description
	Designed for applications acc.	IEC/UL 60950	IEC 60950-1 includes the basic requirements for the safety of information technology equipment.

Compliances

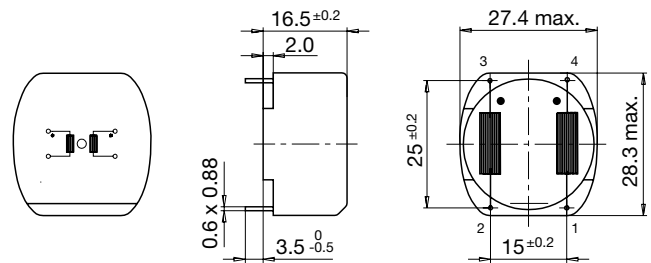
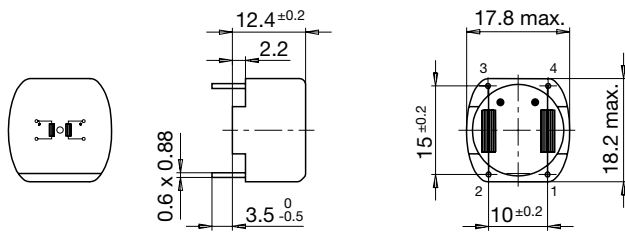
The product complies with following Guide Lines

Identification	Details	Initiator	Description
	CE declaration of conformity	SCHURTER AG	The CE marking declares that the product complies with the applicable requirements laid down in the harmonisation of Community legislation on its affixing in accordance with EU Regulation 765/2008.
	RoHS	SCHURTER AG	EU Directive RoHS 2011/65/EU
	China RoHS	SCHURTER AG	The law SJ / T 11363-2006 (China RoHS) has been in force since 1 March 2007. It is similar to the EU directive RoHS.
	REACH	SCHURTER AG	On 1 June 2007, Regulation (EC) No 1907/2006 on the Registration, Evaluation, Authorization and Restriction of Chemicals 1 (abbreviated as "REACH") entered into force.

Dimension [mm]

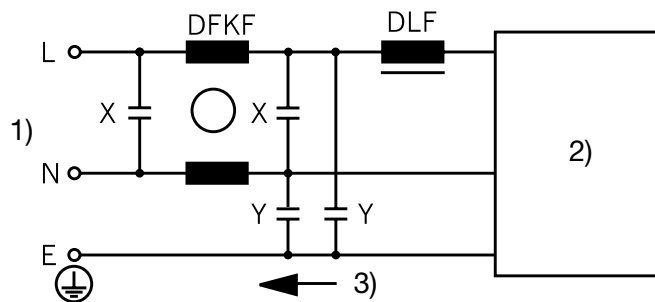
Case 04-2

Case 15-2



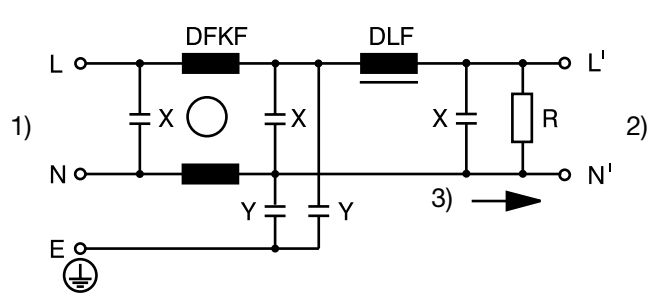
Diagrams

RFI suppression of switching power supply



- 1) Power line
- 2) Switching Power Supply
- 3) Interference current

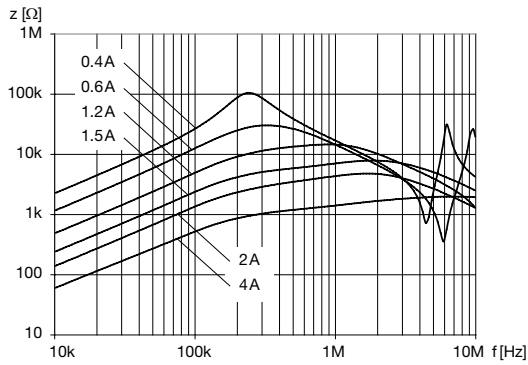
Noise suppression filter



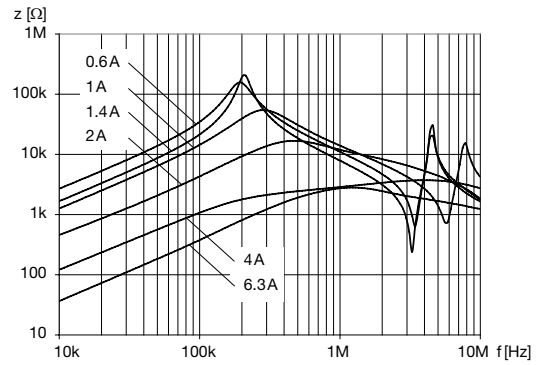
- 1) Power line
- 2) Equipment
- 3) Interference current

Impedance curves

DFKF-18-xxxx



DFKF-28-xxxx



All Variants

I_n [A]	L_n [mH]	R_{cu} [m Ω]	Power _{loss} [W]	f_{RES} [MHz]	Weight [g]	Housings	Packing unit [pcs.]	Order Number
0.4	40	1200	0.4	0.11	5g	04-2	48	DFKF-18-0001
0.6	40	1000	0.7	0.2	16g	15-2	40	DFKF-28-0001
1	20	360	0.7	0.28	16g	15-2	40	DFKF-28-0002
1.2	6.8	200	0.6	0.45	5g	04-2	45	DFKF-18-0003
1.4	27	310	-	-	16g	15-2	40	DFKF-28-0003
1.5	3.3	110	0.5	1.2	5g	04-2	45	DFKF-18-0004
2	1.8	60	-	-	5g	04-2	45	DFKF-18-0005
2	6	100	0.8	0.3	16g	15-2	40	DFKF-28-0004
4	0.7	16	0.5	2.5	5g	04-2	45	DFKF-18-0006
4	1.5	28	0.9	1.3	16g	15-2	40	DFKF-28-0005
6.3	0.6	13	1	2.5	16g	15-2	40	DFKF-28-0006

Most Popular.

Availability for all products can be searched real-time: <https://www.schurter.com/en/Stock-Check/Stock-Check-SCHURTER>