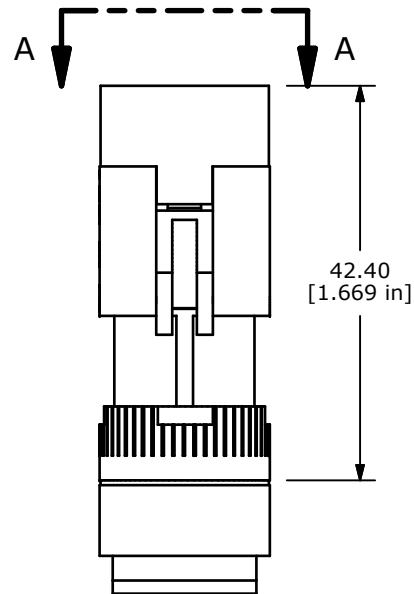
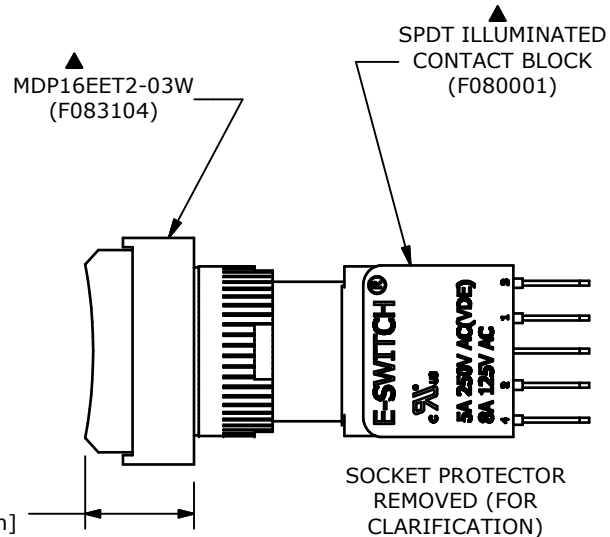
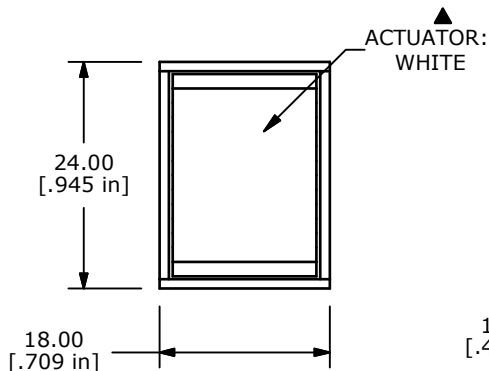
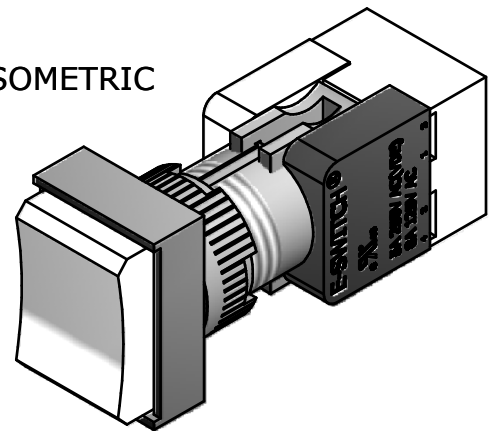


**VIEW A-A
SCALE 1.25 : 1**



ISOMETRIC



- NOTE:
1. ALL DIMENSIONS IN MM [INCH]
 2. GENERAL TOLERANCE: X.X=±0.4
X.XX=±0.25
 3. TERMINAL NUMBERS FOR REF ONLY
 - ▲4. RATING: UL: 5A @ 250VAC; 8A @125VAC;
VDE: 5A@ 250VAC
 - ▲5. INSULATION RESISTANCE: 50 MEGA-OHMS (INITIAL)
 6. ELECTRICAL LIFE: 30,000 MAKE-AND-BREAK CYCLES
 7. CONTACT MATERIAL: SILVER
 8. PANEL THICKNESS RANGE: 0.50 - 5.00 mm
 9. OPERATING TEMP.: -25°C to 55°C
 10. STORAGE TEMP.: -40°C to 70°C
 11. ▲DENOTES CRITICAL PARAMETER.
 12. 2002/95/EC (ROHS) COMPLIANT
 13. PACKAGING: SHIPPED SEPARATELY IN BULK
 14. LAMP: 28VAC INCANDESCENT.
 15. DEGREE OF PROTECTION: IP65



TITLE MDP16EET2103W				
SCALE	DATE	DR	DWG	REV
1.25 : 1	10/15/2008	BLR	XF0770P	A

A	18273	RELEASED FOR PRODUCTION	10/15/08	BLR
REV	PCR NO	DESCRIPTION	DATE	BY
THE INFORMATION CONTAINED IN THIS DOCUMENT IS PROPRIETARY TO E-SWITCH AND IS NOT TO BE COPIED OR TRANSFERRED				