

Customer Information Sheet

DRAWING No.: H3155-XX

SHEET 2 OF 2

IF IN DOUBT - ASK

(C)

NOT TO SCALE

THIRD ANGLE PROJECTION

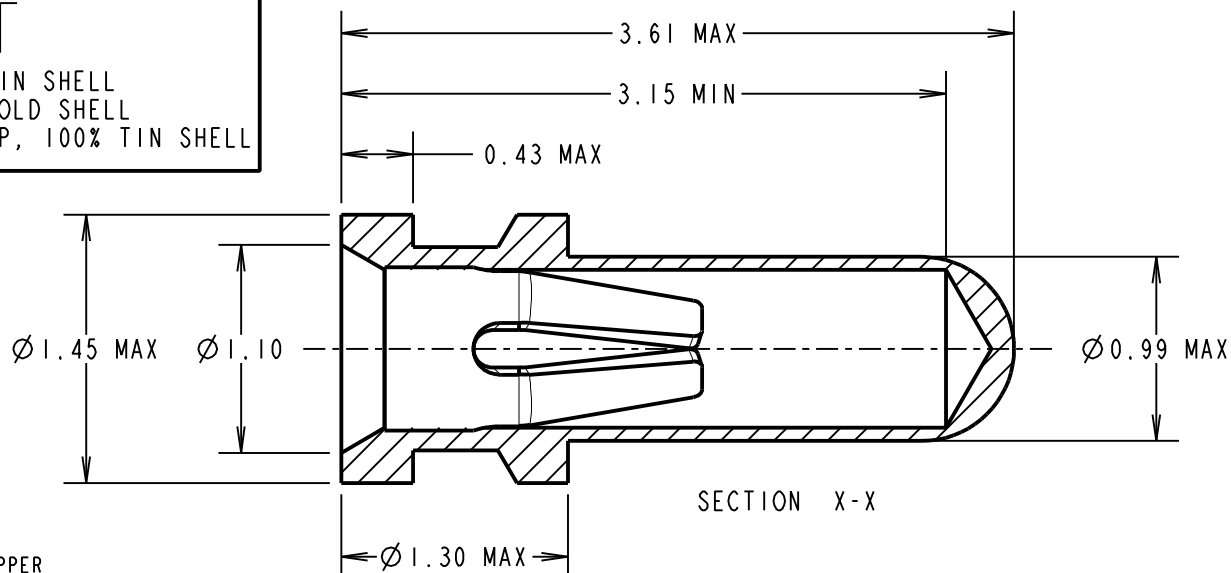
ALL DIMENSIONS IN mm

ORDER CODE:

H3155-XX

FINISH:

- 01 - GOLD CLIP, TIN SHELL
- 05 - GOLD CLIP, GOLD SHELL
- 46 - 100% TIN CLIP, 100% TIN SHELL



SPECIFICATION:

MATERIAL:

CONTACT SHELL = BRASS
CONTACT CLIP = BERYLLIUM COPPER

FINISH:

- 01 = 0.1μ GOLD CLIP, 4μ TIN SHELL
- 05 = 0.1μ GOLD CLIP, 0.13μ GOLD SHELL
- 46 = 2.4μ 100% TIN CLIP, 4μ 100% TIN SHELL

ELECTRICAL:

CURRENT RATING AT 25°C = 2A MAX
CURRENT RATING AT 85°C = 1.75A MAX
CONTACT RESISTANCE (INITIAL) = 15mΩ MAX
CONTACT RESISTANCE (AFTER CONDITIONING) = 25mΩ MAX

MECHANICAL:

INSERTION FORCE (∅0.05mm GAUGE) = 6N MAX, 2N MIN (∅0.05mm GAUGE)
WITHDRAWAL FORCE (∅0.05mm GAUGE) = 1.5N MIN, 0.5N MIN (∅0.05 GAUGE)
DURABILITY - 01, 05 FINISH = 500 OPERATIONS
46 FINISH = 50 OPERATIONS

ENVIRONMENTAL:

OPERATING TEMPERATURE = -55°C TO +125°C
FOR COMPLETE SPECIFICATION, SEE COMPONENT SPECIFICATION C006XX (LATEST ISSUE)

NOTES:

1. RECOMMENDED PIN LENGTH = 3.15mm MAX.
2. RECOMMENDED MOUNTING HOLE SIZE = ∅1.00-1.10mm.
3. RECOMMENDED PIN SIZE = ∅0.46-0.51mm.
4. CONTACT DEPTH = 2.30mm MAX

MSP	11	04.11.14	12661
NAME	ISS.	DATE	C/NOTE
APPROVED:		M.PERREN	
CHECKED:		M.PLESTED	
DRAWN:		M.PERREN	
CUSTOMER REF.:			
ASSEMBLY DRG:			

HARWIN

www.harwin.com
technical@harwin.com

THIS DRAWING AND ANY INFORMATION OR DESCRIPTIVE MATTER SET OUT HEREON ARE CONFIDENTIAL AND COPYRIGHT PROPERTY OF THE HARWIN GROUP AND MUST NOT BE DISCLOSED, LOANED, COPIED OR USED FOR MANUFACTURING, TENDERING OR FOR ANY OTHER PURPOSE WITHOUT THEIR WRITTEN PERMISSION.

TOLERANCES

X. = ±1mm
X.X = ±0.25mm
X.XX = ±0.10mm
X.XXX = ±0.01mm

ANGLES = ±5°
UNLESS STATED

MATERIAL:

SEE ABOVE

FINISH: SEE ABOVE

S/AREA: mm²

TITLE:

SUB-MINATURE
SOCKET ASSEMBLY

DRAWING NUMBER:

H3155-XX

SHT
2
OF
2