

RECOMMENDED PCB LAYOUT (MOUNTING SURFACE SIDE) (FREE)
 RECOMMENDED METAL MASK (FREE)
 THICKNESS : 0.1mm OPEN AREA RATION : 100%

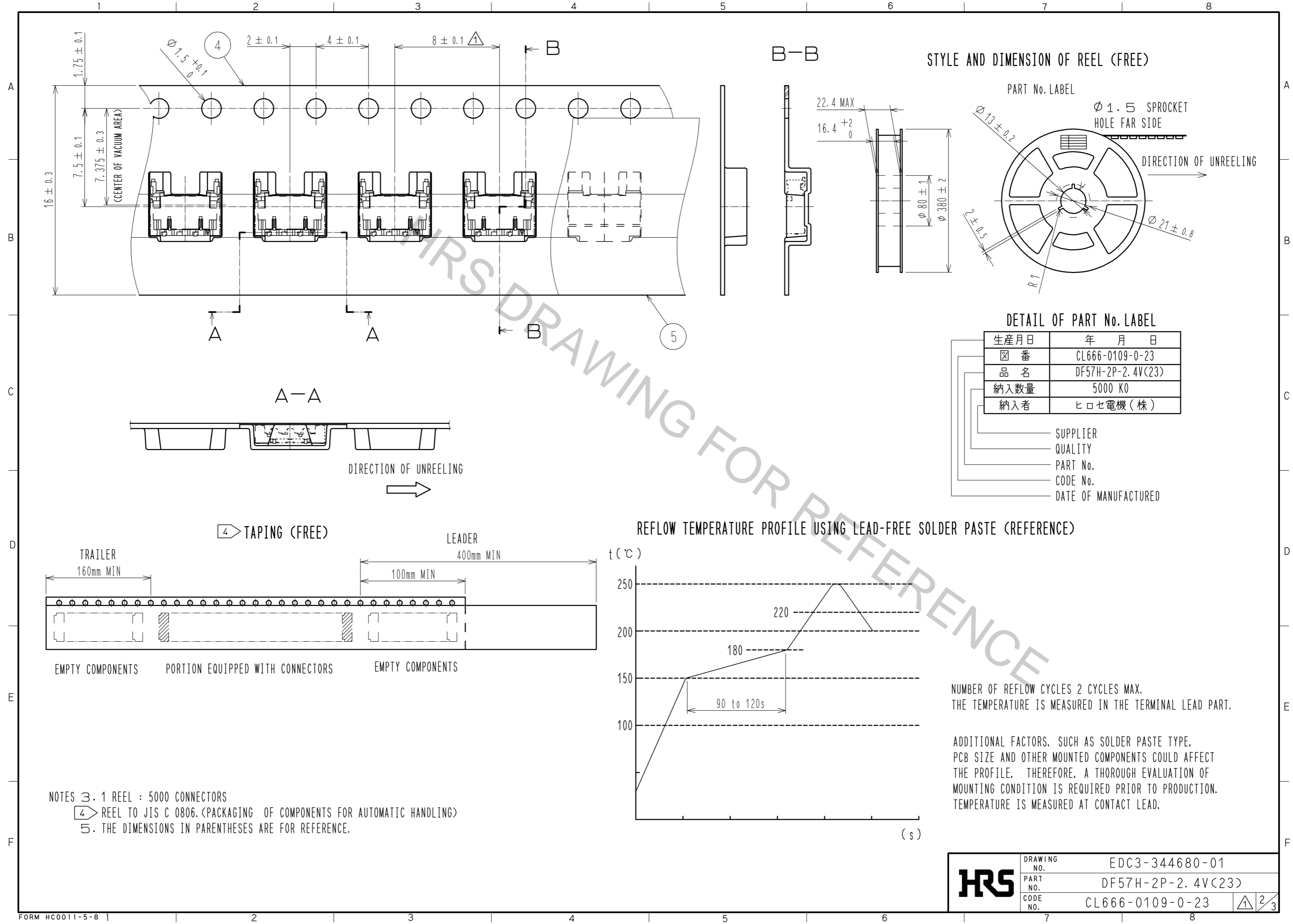
MATING FIGURE (FREE)

NOTE 1. LEAD CO-PLANARITY SHALL BE 0.1mmMAX.
 2. Hatched AREA INDICATED MUST BE FREE OF CONDUCTIVE TRACES OR THE CONDUCTIVE TRACES MUST BE COVERED BY RESIST FILM.

NO.	MATERIAL	FINISH . REMARKS	NO.	MATERIAL	FINISH . REMARKS
3	BRASS	SURFACE : TIN PLATING 1μmMIN UNDER PLATING : NICKEL PLATING 0.5μmMIN	6	PS	REEL . BLACK
2	BRASS	SURFACE : TIN PLATING 1μmMIN UNDER PLATING : NICKEL PLATING 0.5μmMIN	5	POLYESTER	CLEAR (COVER TAPE)
1	LCP	UL94V-0, NATURAL (BEIGE)	4	PS	CLEAR (EMBOSSED CARRIER TAPE)

UNITS	SCALE	COUNT	DESCRIPTION OF REVISIONS	DESIGNED	CHECKED	DATE
mm	FREE	2	DIS-H-007104	TS. KUMAZAWA	HK. UMEHARA	12. 08. 06

APPROVED	CHECKED	DESIGNED	DRAWN	DRAWING NO.	PART NO.	CODE NO.
KI. AKIYAMA	HK. UMEHARA	TS. KUMAZAWA	TS. KUMAZAWA	EDC3-344680-01	DF57H-2P-2.4V(23)	CL666-0109-0-23



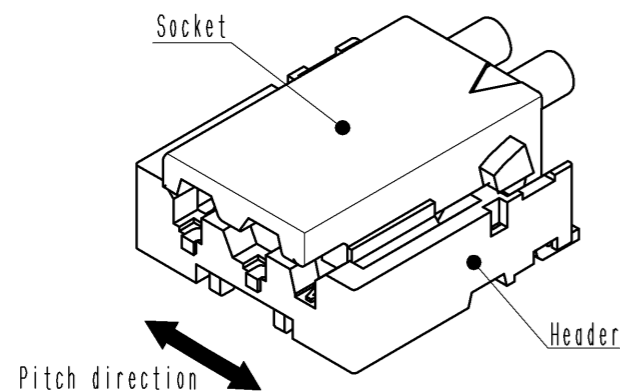
NOTES 3. 1 REEL : 5000 CONNECTORS
 4 REEL TO JIS C 0806.(PACKAGING OF COMPONENTS FOR AUTOMATIC HANDLING)
 5. THE DIMENSIONS IN PARENTHESES ARE FOR REFERENCE.

HRS	DRAWING NO.	EDC3-344680-01
	PART NO.	DF57H-2P-2.4V(23)
	CODE NO.	CL666-0109-0-23
		△ 2/3

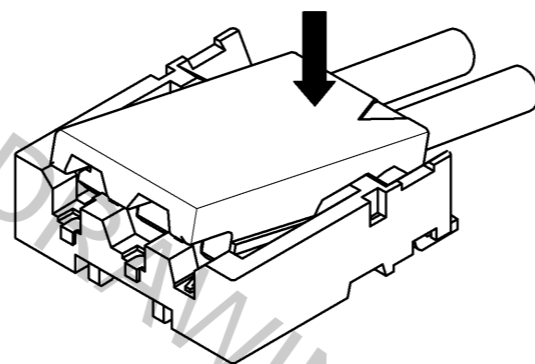
DF57 Series Mating / Unmating Operation Instruction

Mating

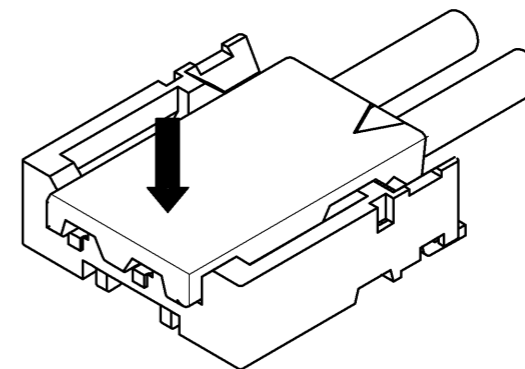
① By positioning the convexity of the socket sides to the header concavity, align the centers of the socket and the header in pitch direction.



② Slightly press the socket down at cable side to tilted angle.

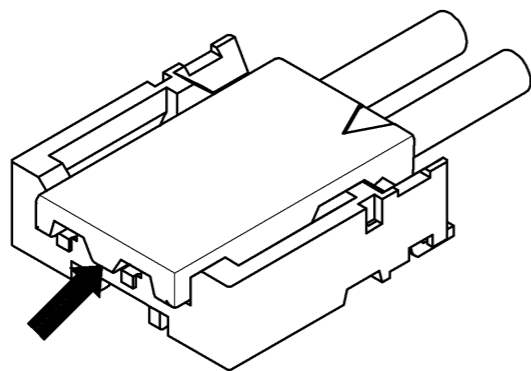


③ Press down at the lever side with stabilizing the cable side to insert. Mating completes.

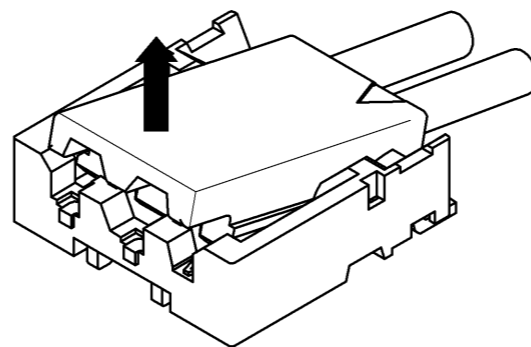


Unmating

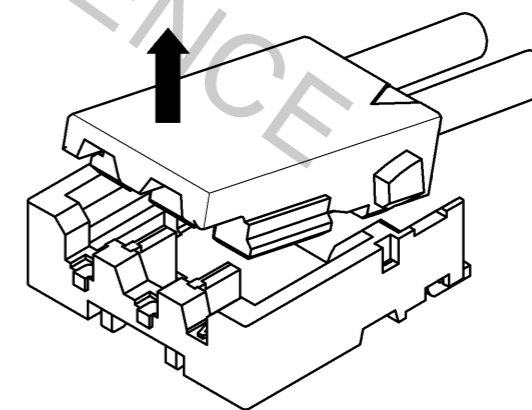
① Hook the lever with finger nail.



② Lift up to the upper direction and friction lock is released.



③ Lift up to the upper direction and positive lock is released. Removal completes.



HRS	DRAWING NO.	EDC3-344680-01
	PART NO.	DF57H-2P-2.4V<23>
	CODE NO.	CL666-0109-0-23
		3/3