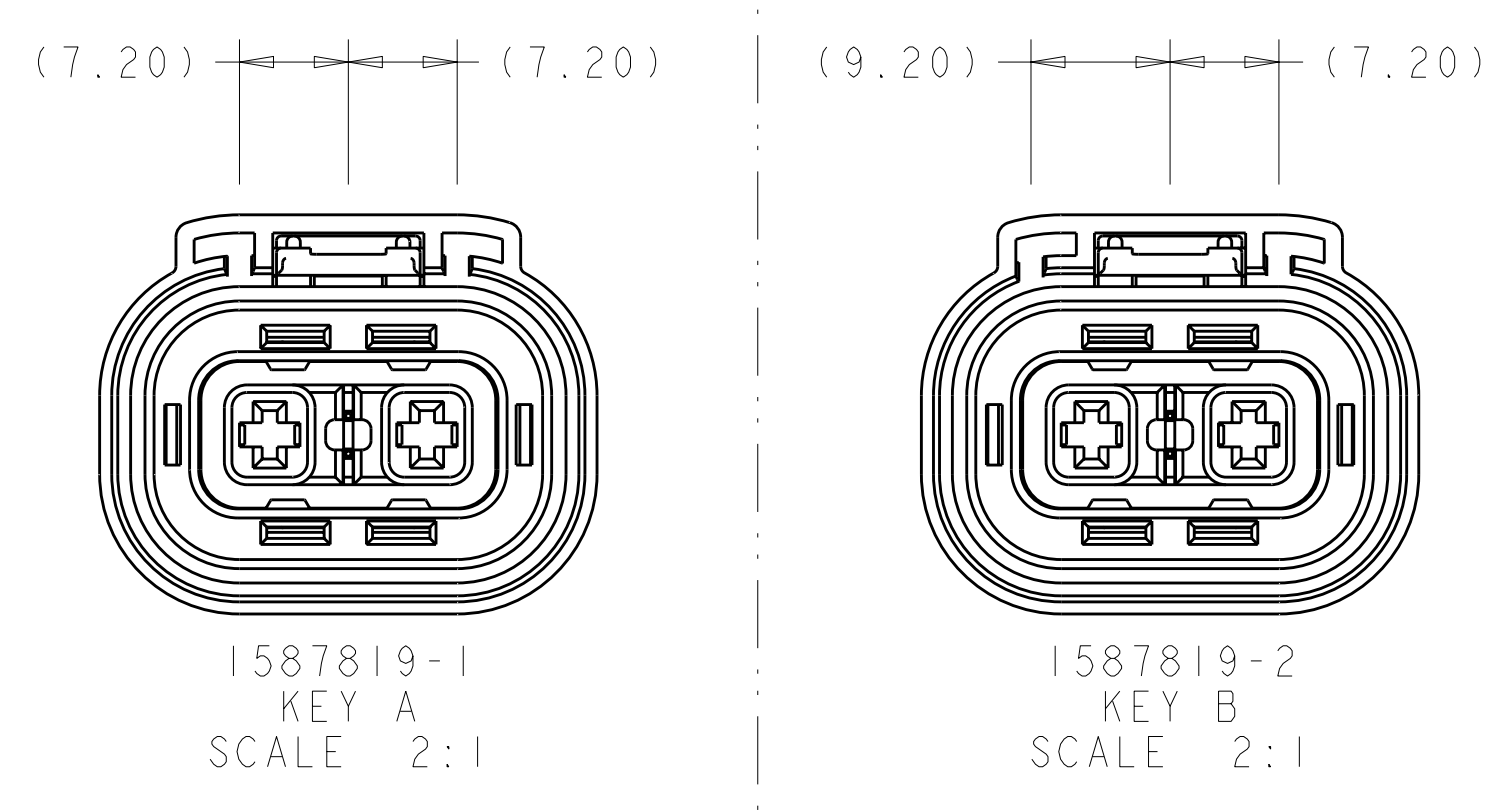
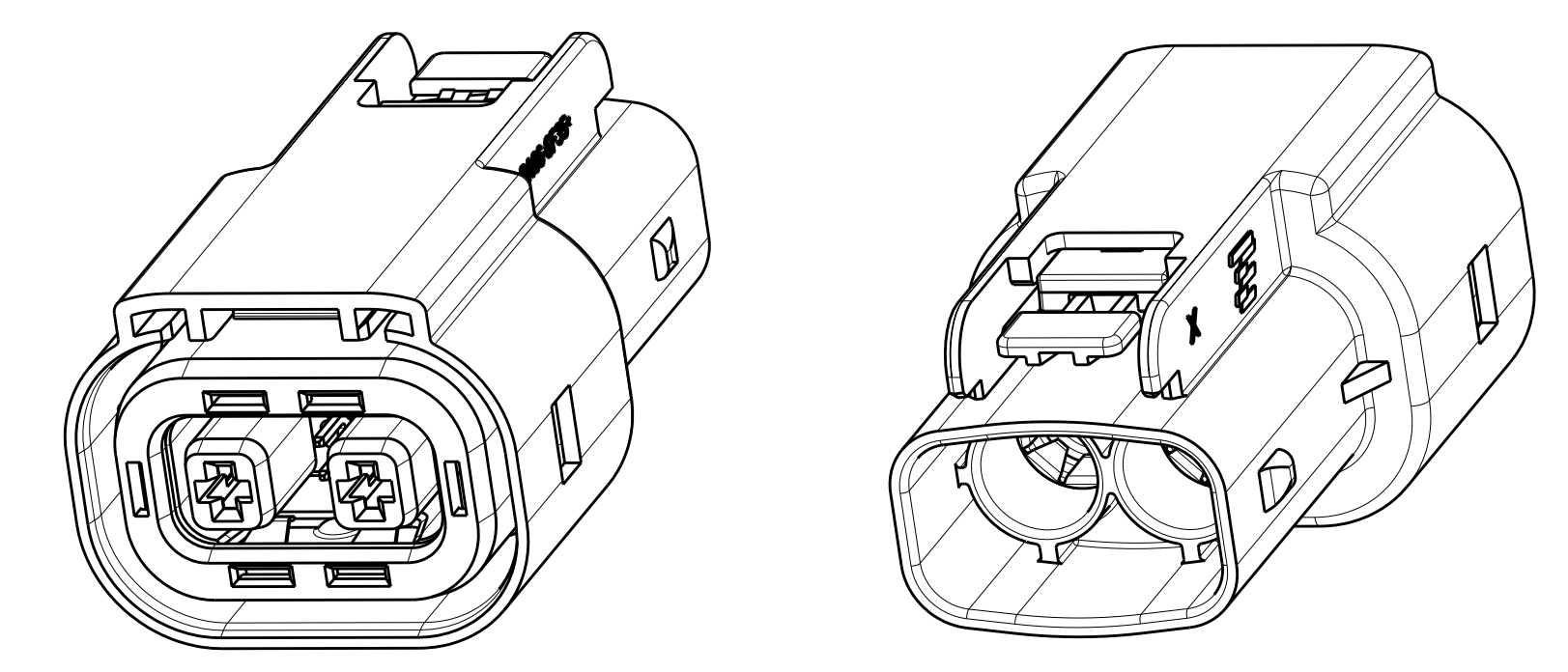
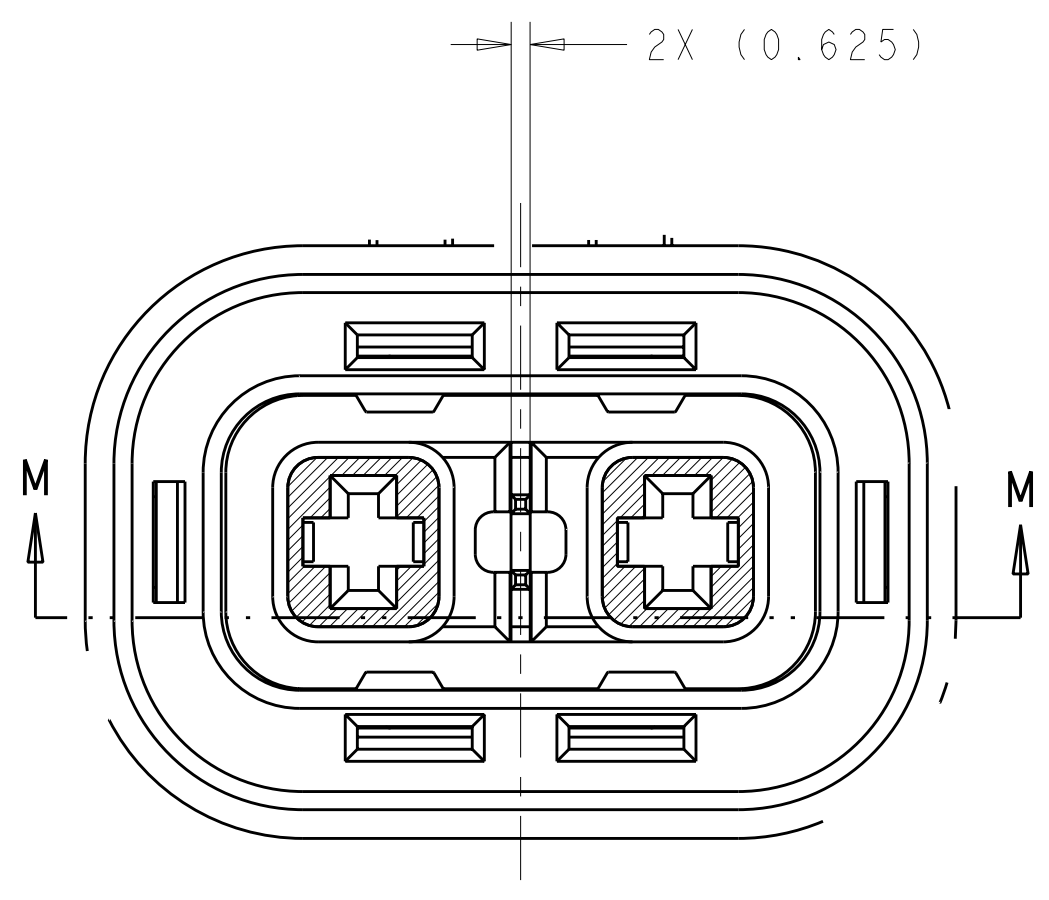
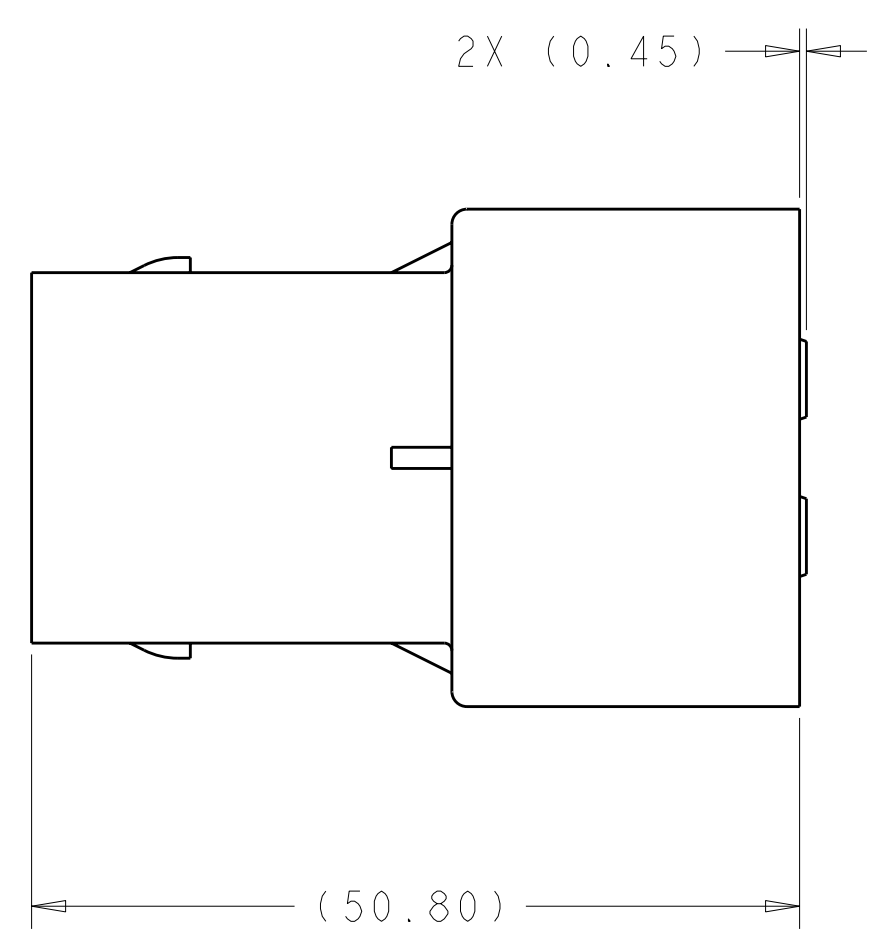
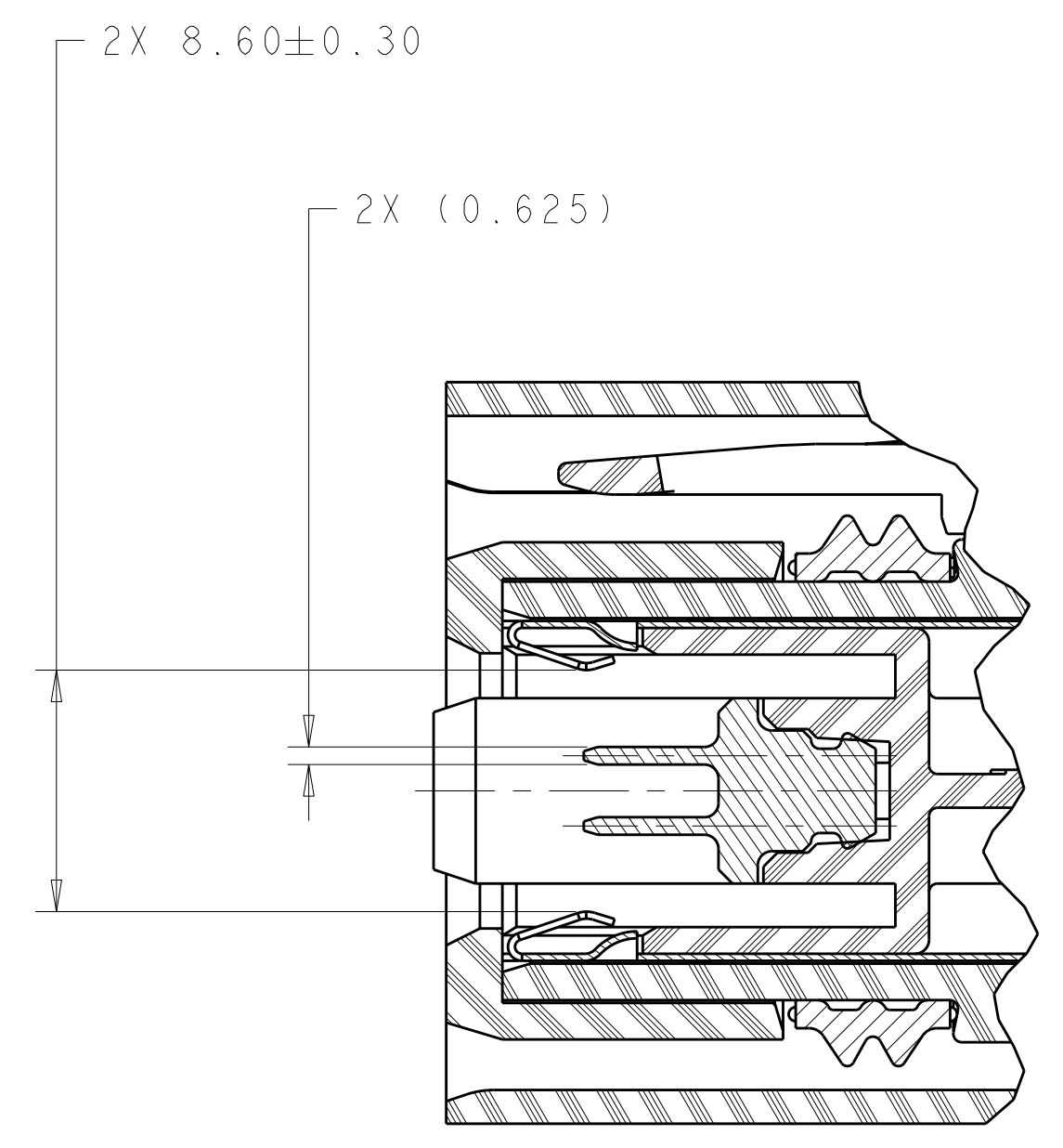
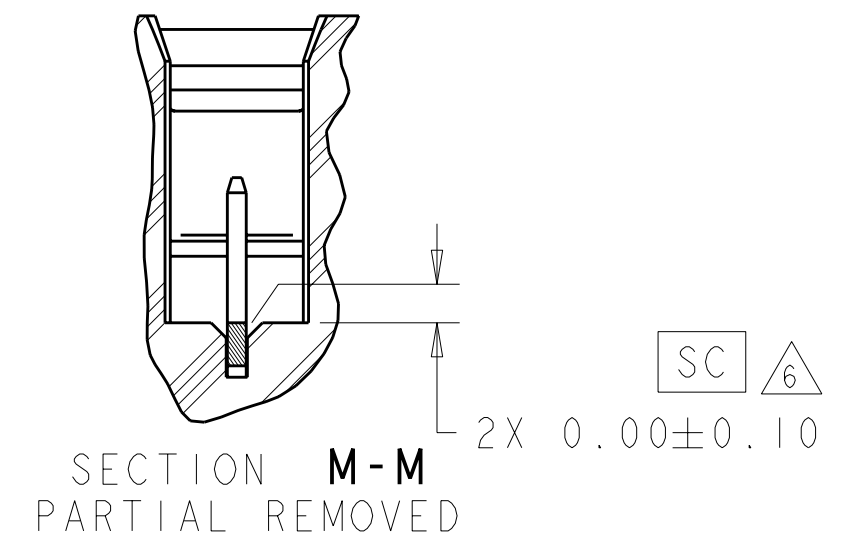
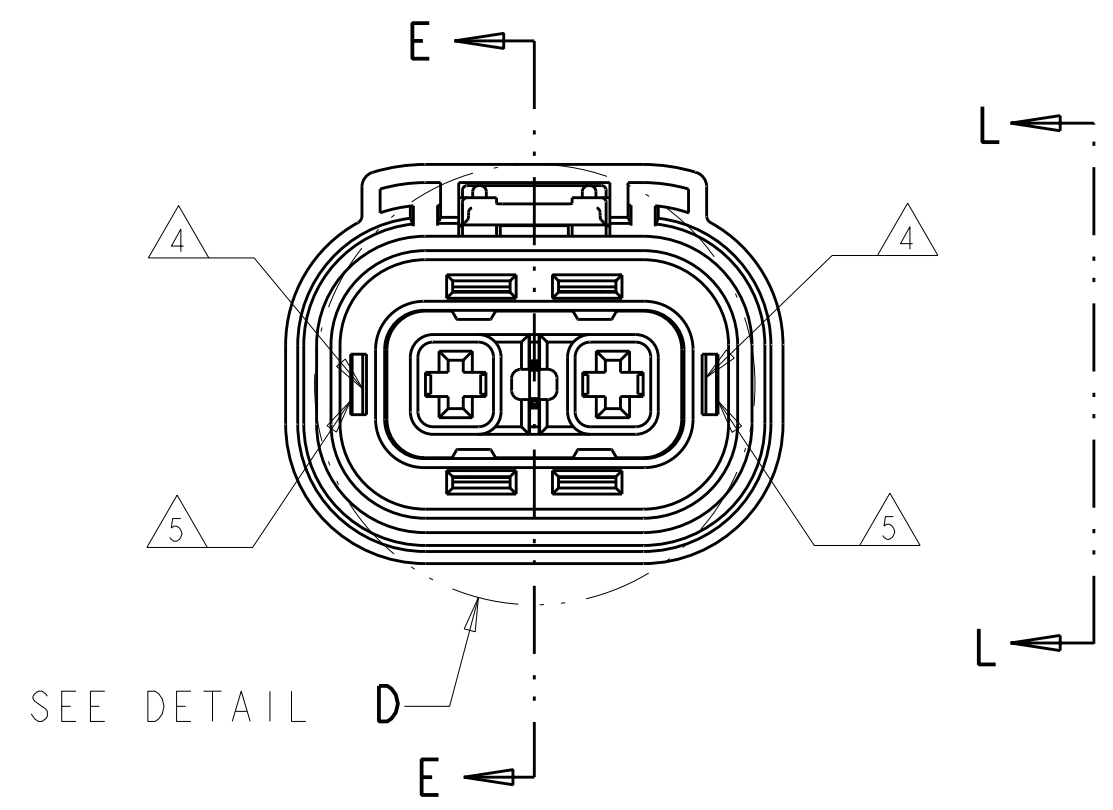
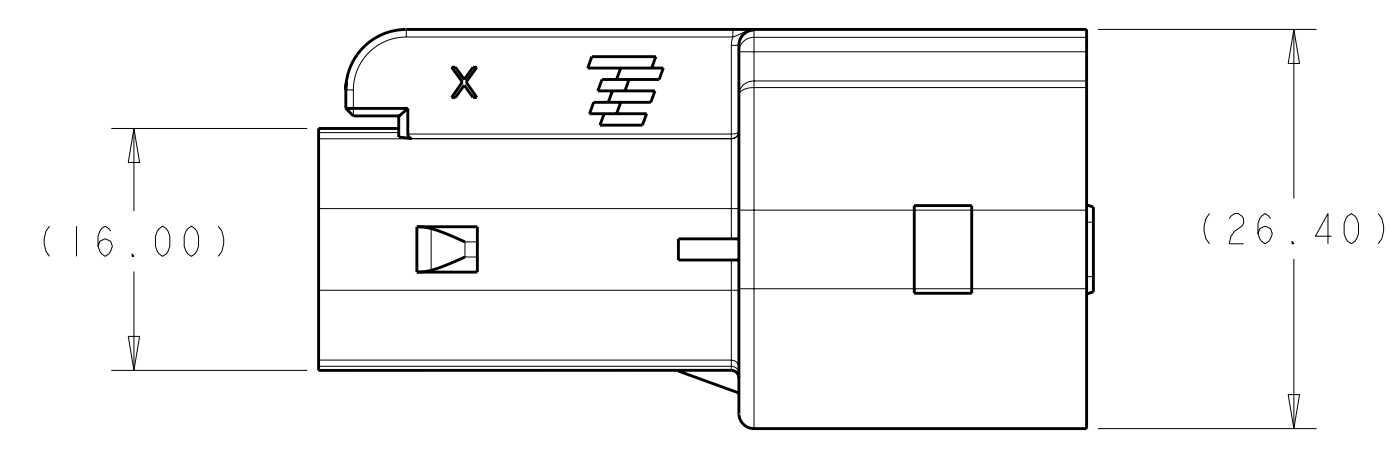
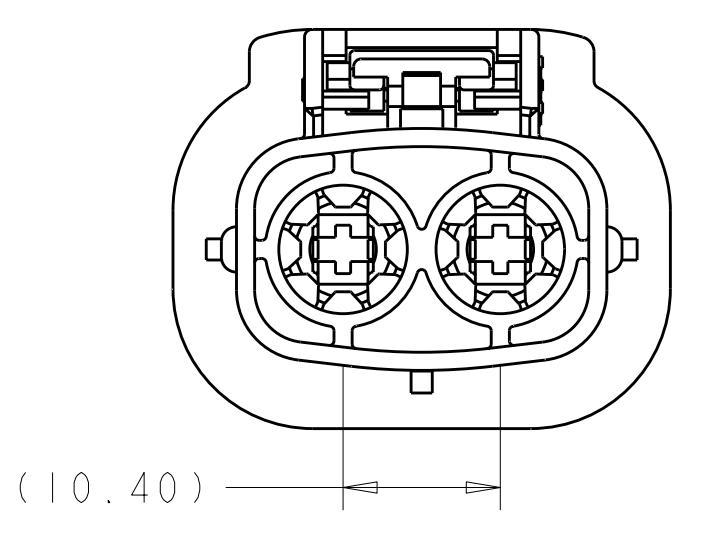
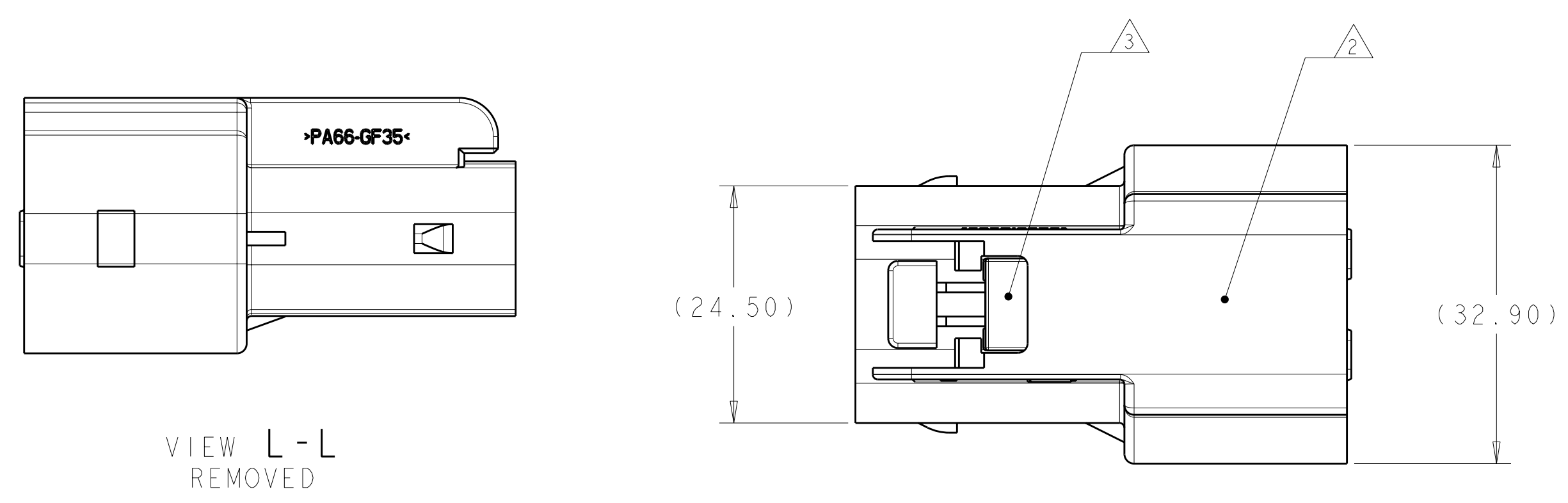
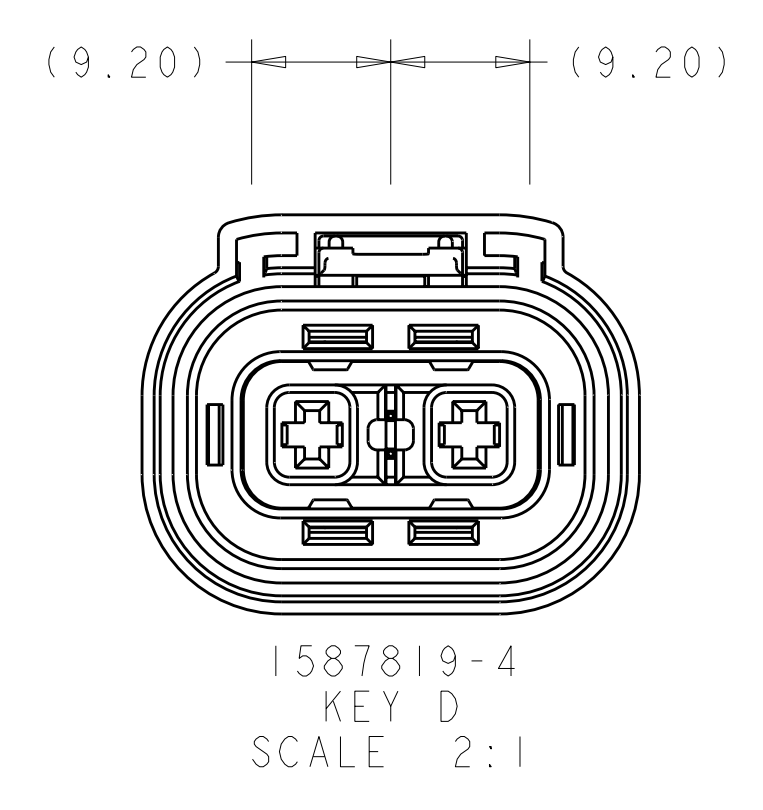


LOC	DIST	REVISIONS			
		REV	DATE	BY	APPV
HV	00	C1	27APR2011	RK	HMR
		C2	25AUG2011	DS	AT



KEY C  
OBSOLETE



- CONNECTOR MUST BE FREE OF ANY MECHANICAL DEFECTS WHICH MAY AFFECT FIT, FORM, OR PERFORMANCE
- PART NUMBER AND JULIAN DATE CODE MARKED IN THIS AREA
- FLOATING LATCH MUST BE FULLY INSTALLED AS SHOWN
- INNER HOUSING SUB ASSEMBLY MUST BE FULLY LOCKED IN TWO LOCATIONS INTO OUTER HOUSING. INSPECTION PRIOR TO ASSEMBLY OF PERIPHERAL SEAL RETAINER PERMITTED
- PERIPHERAL SEAL RETAINER MUST BE FULLY LOCKED IN TWO LOCATIONS INTO OUTER HOUSING.
- MEASURE EACH STAMPING SHOULDER FLUSH CONDITION TO NEIGHBORING PLASTIC SURFACE
- PRELIMINARY PART—NOT RELEASED FOR PRODUCTION

DESCRIPTION	PART NO
PLUG ASSY, KEY D, HVA280-2PHI	1587819-4
- OBSOLETE -	1587819-3
PLUG ASSY, KEY B, HVA280-2PHI	1587819-2
PLUG ASSY, KEY A, HVA280-2PHI	1587819-1

THIS DRAWING IS A CONTROLLED DOCUMENT.		DWN: D SIMPSON 28MAY2009		NAME: PLUG ASSY HVA280-2PHI	
DIMENSIONS: mm		CHK: A TYLER 28MAY2009		PRODUCT SPEC: 108-2394	
TOLERANCES UNLESS OTHERWISE SPECIFIED:		APVD: -		APPLICATION SPEC: 114-13259	
9 PLC ±0.2		MATERIAL: -		SIZE: CAGE CODE DRAWING NO: A1100779	
2 PLC ±0.10		FINISH: -		RESTRICTED TO: -	
3 PLC ±0.10		WEIGHT: -		SCALE: 2:1	
5 PLC ±0.013		CUSTOMER DRAWING		SHEET 1 OF 1	
4 PLC ±0.001		SCALE: 2:1		REV: C2	
ANGLES ±0.0001		SCALE: 2:1		REV: C2	