

### 1. Safety Instructions

- To ensure sufficient convection cooling, always maintain a safety distance of  $\geq 20\text{mm}$  from all ventilated surfaces while the device is in operation.
- For PMH-100WCL□□, PMH-100WCM□□ and PMH-150WCL□□ models, always maintain a safety distance of  $\geq 50\text{mm}$  from all four sides while the device is in operation. The cover's top ventilated surface must be kept free from any obstructions.
- The device is not recommended to be placed on low thermal conductive surface, for example, plastics.
- Note that the enclosure of the device can become very hot depending on the ambient temperature and load of the power supply. Do not touch the device while it is in operation or immediately after power is turned OFF. Risk of burning!
- Do not touch the terminals while power is being supplied. Risk of electric shock.
- Prevent any foreign metal, particles or conductors to enter the device through the openings during installation. It can cause: Electric shock; Safety Hazard; Fire; Product failure
- The appliance is not to be used by persons (including children) with reduced physical, sensory or mental capabilities, or lack of experience and knowledge, unless they have been given supervision or instruction.
- The power supply must be mounted by metal screws onto a grounded metal surface.
- Warning: When connecting the device, secure Earth connection before connecting L and N. When disconnecting the device, remove L and N connections before removing the Earth connection.
- The device is earthed and must be inaccessible.

### 2. Device Descriptions

#### ► PMH-50WCA□ (Refer to Fig. 1.1)

- ① Input & Output connector
- ② DC voltage adjustment potentiometer
- ③ DC OK control LED (Green)

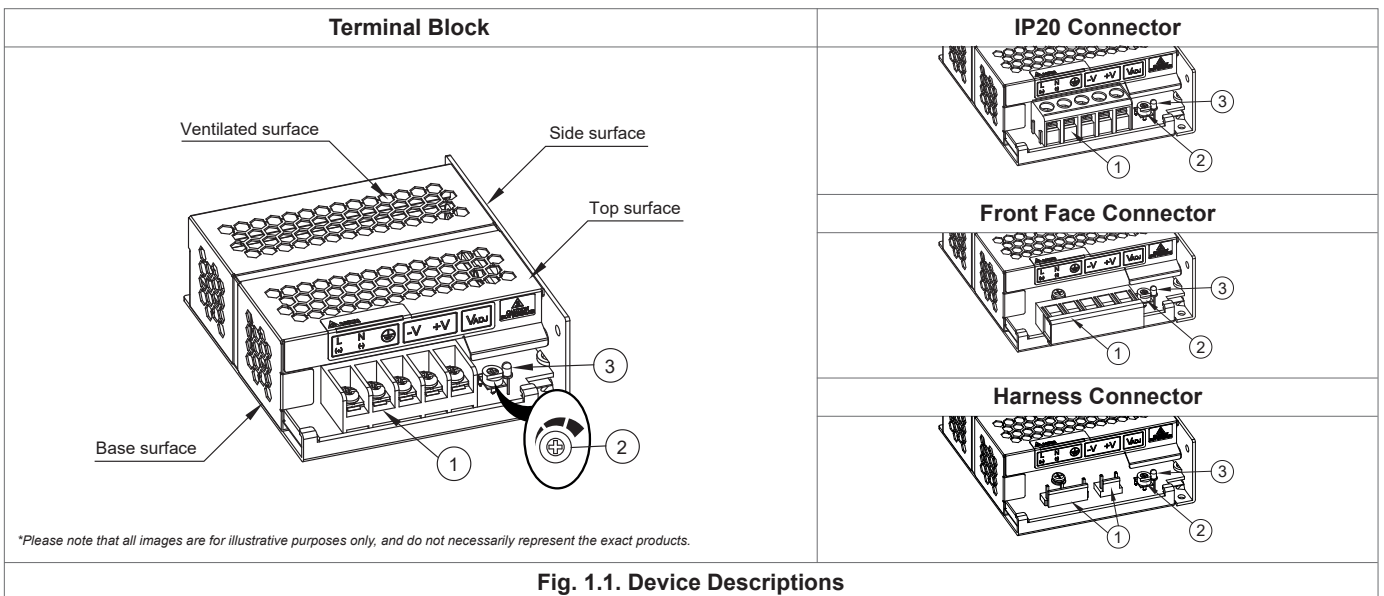


Fig. 1.1. Device Descriptions

#### ► PMH-100WCA□, PMH-100WCC□□, PMH-100WCN□□, PMH-150WCA□, PMH-150WCD□□, PMH-200WCB□ (Refer to Fig. 1.2)

- ① Input & Output connector
- ② DC voltage adjustment potentiometer
- ③ DC OK control LED (Green)

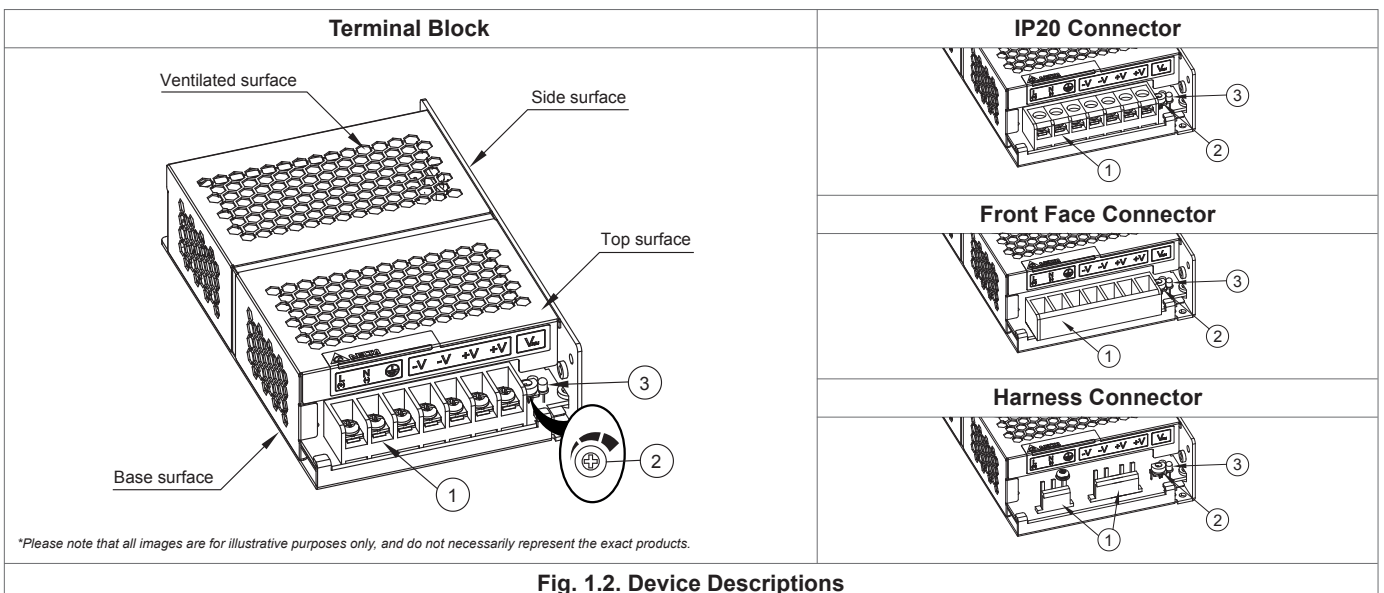


Fig. 1.2. Device Descriptions

► **PMH-100WCL□□, PMH-100WCM□□, PMH-150WCL□□** (Refer to Fig. 1.3)

- ① Input & Output connector
- ② DC voltage adjustment potentiometer
- ③ DC OK control LED (Green)

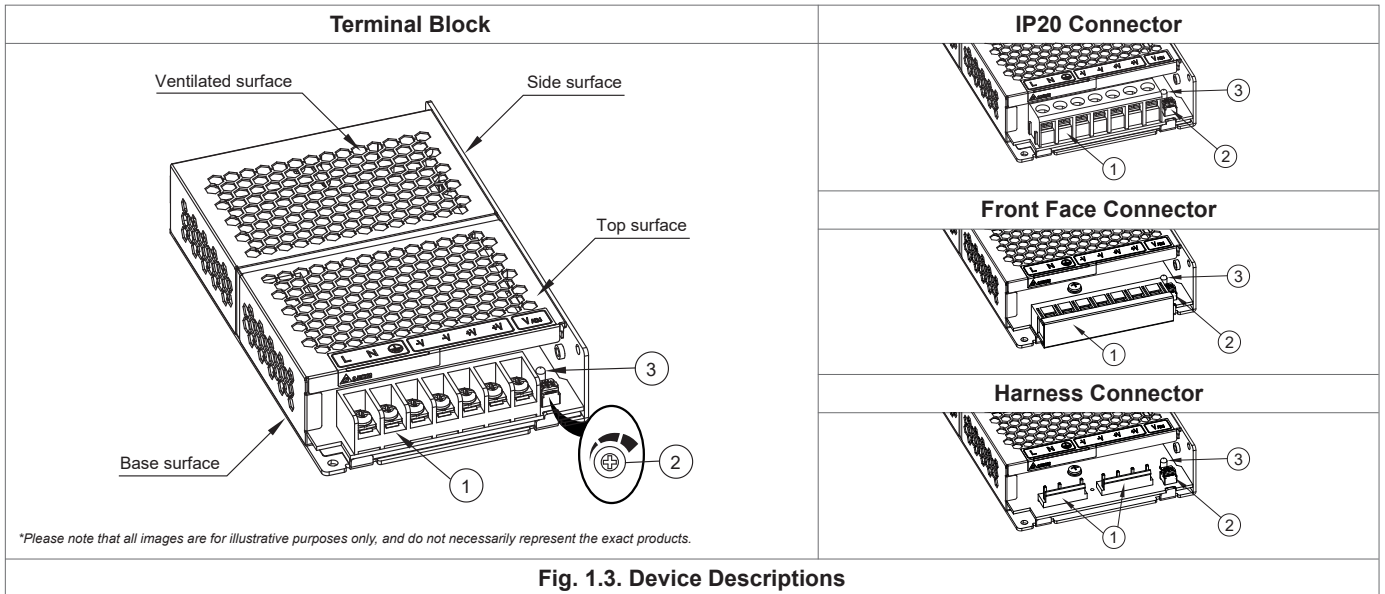


Fig. 1.3. Device Descriptions

**3. Installation of the Device**

► **PMH-50WCA□, PMH-100WCA□, PMH-100WCC□□, PMH-100WCN□□, PMH-150WCA□, PMH-150WCD□□, PMH-200WCB□**  
(Refer to Fig. 2.1)

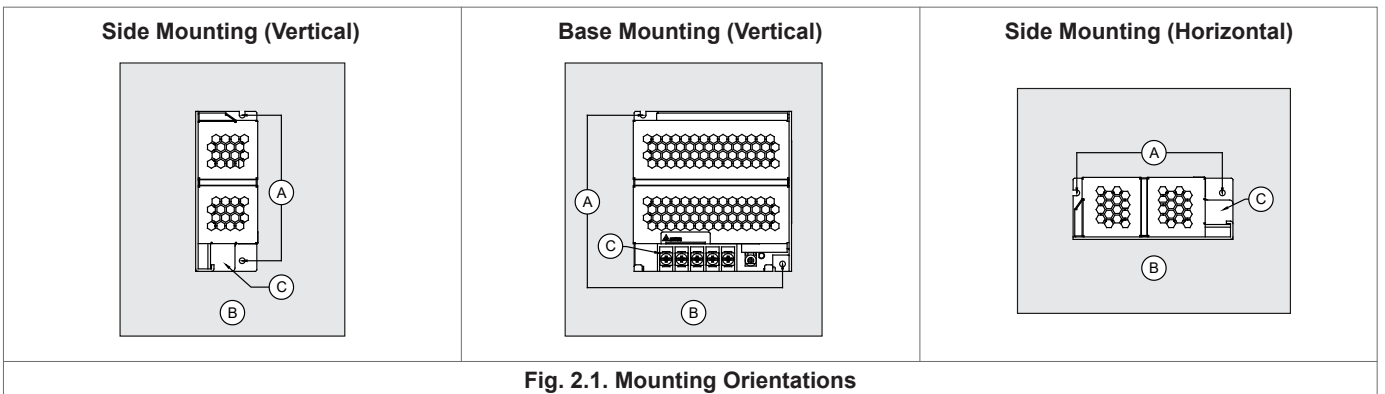


Fig. 2.1. Mounting Orientations

- Ⓐ Mounting holes for power supply assembly onto the mounting surface. The power supply shall be mounted on minimum 2 mounting holes using M3 screw minimum 5mm length.
- Ⓑ This surface belongs to customer's end system or panel where the power supply is mounted.
- Ⓒ Connector

► **PMH-100WCL□□, PMH-100WCM□□, PMH-150WCL□□** (Refer to Fig. 2.2)

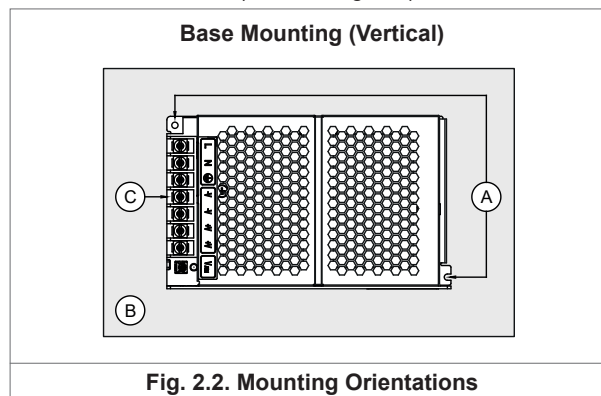


Fig. 2.2. Mounting Orientations

- Ⓐ Mounting holes for power supply assembly onto the mounting surface. The power supply shall be mounted on minimum 2 mounting holes using M3 screw minimum 5mm length.
- Ⓑ This surface belongs to customer's end system or panel where the power supply is mounted.
- Ⓒ Connector

#### 4. Connection

| Connector Type                      | Specifications              |     | 12V                     |                         |                 |                 |          |          |          |         |          |          | 24V     |          |          |          |         |          |          |         |  |  |  |
|-------------------------------------|-----------------------------|-----|-------------------------|-------------------------|-----------------|-----------------|----------|----------|----------|---------|----------|----------|---------|----------|----------|----------|---------|----------|----------|---------|--|--|--|
|                                     |                             |     | 100WCL□□                | 50WCA□                  | 100WCA□         | 100WCC□□        | 100WCL□□ | 100WCM□□ | 100WCN□□ | 150WCB□ | 150WCD□□ | 150WCL□□ | 200WCB□ | 100WCL□□ | 100WCM□□ | 100WCN□□ | 150WCB□ | 150WCD□□ | 150WCL□□ | 200WCB□ |  |  |  |
| Terminal Block <sup>(1)</sup>       | Stranded or Solid Wire Size | AWG | 20-14                   |                         |                 |                 |          |          |          |         |          |          |         |          |          |          |         |          |          |         |  |  |  |
| IP20 Connector <sup>(1)</sup>       | Stranded or Solid Wire Size | AWG | 20-12                   |                         |                 |                 |          |          |          |         |          |          |         |          |          |          |         |          |          |         |  |  |  |
| Front Face Connector <sup>(1)</sup> | Stranded or Solid Wire Size | AWG | 20-12                   |                         |                 |                 |          |          |          |         |          |          |         |          |          |          |         |          |          |         |  |  |  |
| Harness Connector                   | Input (CN1)                 | JST | Header (Board Mounting) | B3P(6-2.3.5)-VH(LF)(SN) |                 |                 |          |          |          |         |          |          |         |          |          |          |         |          |          |         |  |  |  |
|                                     |                             |     | Mating Connector        | VHR-6N                  |                 |                 |          |          |          |         |          |          |         |          |          |          |         |          |          |         |  |  |  |
|                                     |                             |     | Terminal                | SVH-21T-P1.1            |                 |                 |          |          |          |         |          |          |         |          |          |          |         |          |          |         |  |  |  |
|                                     |                             |     | AWG                     | 22-18                   |                 |                 |          |          |          |         |          |          |         |          |          |          |         |          |          |         |  |  |  |
|                                     | Output (CN2)                | JST | Header (Board Mounting) | B4P7-VH(LF)(SN)         | B2P3-VH(LF)(SN) | B4P7-VH(LF)(SN) |          |          |          |         |          |          |         |          |          |          |         |          |          |         |  |  |  |
|                                     |                             |     | Mating Connector        | VHR-7N                  | VHR-3N          | VHR-7N          |          |          |          |         |          |          |         |          |          |          |         |          |          |         |  |  |  |
|                                     |                             |     | Terminal                | SVH-21T-P1.1            |                 |                 |          |          |          |         |          |          |         |          |          |          |         |          |          |         |  |  |  |
|                                     |                             |     | AWG                     | 22-18                   |                 |                 |          |          |          |         |          |          |         |          |          |          |         |          |          |         |  |  |  |

**Notes:**

(1) The torque at the Connector shall not exceed 13 Kgf.cm. The insulation stripping length should not exceed 0.275" or 7mm (Refer to Fig. 3).

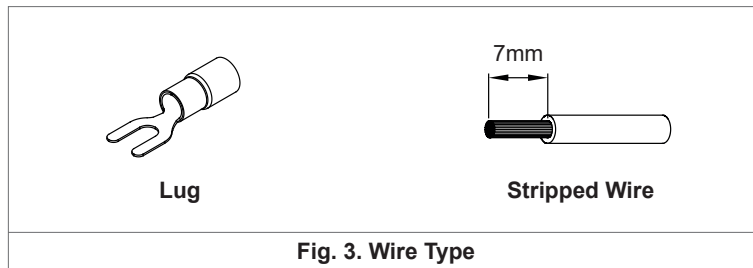


Fig. 3. Wire Type

#### 5. Installation of Mounting Accessories (Refer to Fig. 4)

- Only use the recommended screw size, length and mounting tightening torque for the base mounting holes. This is to keep a safety distance between the screw and internal components.

| Specifications               |        | 12V      |        |         |          |          |          |          |         |          |          | 24V     |          |          |          |         |          |          |         |  |  |
|------------------------------|--------|----------|--------|---------|----------|----------|----------|----------|---------|----------|----------|---------|----------|----------|----------|---------|----------|----------|---------|--|--|
|                              |        | 100WCL□□ | 50WCA□ | 100WCA□ | 100WCC□□ | 100WCL□□ | 100WCM□□ | 100WCN□□ | 150WCB□ | 150WCD□□ | 150WCL□□ | 200WCB□ | 100WCL□□ | 100WCM□□ | 100WCN□□ | 150WCB□ | 150WCD□□ | 150WCL□□ | 200WCB□ |  |  |
| Screw Size                   | Metric | M3       |        |         |          |          |          |          |         |          |          |         |          |          |          |         |          |          |         |  |  |
| Max. Protrusion Screw Length | mm     | 3.5      | 6      |         |          | 3.5      | 6        |          |         | 3.5      | 5        |         |          |          |          |         |          |          |         |  |  |
| Mounting Tightening Torque   | Kgf.cm | 4~8      |        |         |          |          |          |          |         |          |          |         |          |          |          |         |          |          |         |  |  |

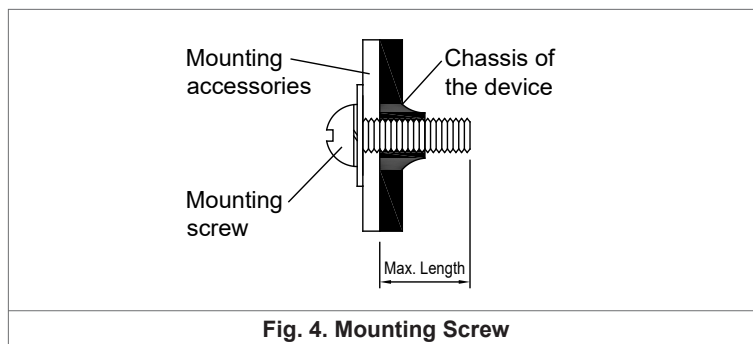


Fig. 4. Mounting Screw

**Manufacturer:**

Delta Electronics (Thailand) PCL.  
909 Pattana 1 Rd., Muang,  
Samutprakarn, 10280 Thailand

**Authorized Representative:**

Delta Greentech (Netherlands) B.V.  
Zandsteen 15, 2132 MZ Hoofddorp,  
The Netherlands