

TWR-K70F120M Tower Module

User's Manual

Rev. 1.1

Table of Contents

1	TWR-K70F120M and TWR-K70F120M-KIT Overview	4
1.1	Contents	5
1.2	Features	5
1.3	Getting Started	7
1.4	Reference Documents	7
2	Hardware Description	7
2.1	K70FN1M0 Microcontroller	8
2.2	Clocking	9
2.3	System Power	9
2.3.1	RTC VBAT	10
2.4	Debug Interface	10
2.4.1	OSJTAG	10
2.4.2	Cortex Debug+ETM Connector	10
2.5	Graphical LCD Interface	11
2.6	DDR2 Memory	11
2.7	NAND Flash	11
2.8	Infrared Port	11
2.9	Accelerometer	11
2.10	Potentiometer, Pushbuttons, LEDs	11
2.11	General Purpose Tower Plug-in (TWRPI) Socket	12
2.12	Touch Interface	12
2.13	Ethernet	13
2.14	USB	14
2.14.1	FS/LS USB	14
2.14.2	HS USB	14
2.15	Secure Digital Card Slot	14
2.16	External Bus Interface – FlexBus	14
3	Jumper Table	15
4	Input/Output Connectors and Pin Usage Table	16
5	Tower Elevator Connections	18

List of Figures

Figure 1. Freescale Tower System Overview	4
Figure 2. Callouts on front side of the TWR-K70F120M	6
Figure 3. Callouts on back side of the TWR-K70F120M.....	6
Figure 4. TWR-K70F120M Block Diagram	8

List of Tables

Table 1. Cortex Debug+ETM Connector Pinout	10
Table 2. General Purpose TWRPI socket pinout	12
Table 3. Touch TWRPI socket pinout	13
Table 4. Ethernet operation jumper settings	13
Table 5. TWR-K70F120M Jumper Table.....	15
Table 6. I/O Connectors and Pin Usage Table.....	16
Table 7. TWR-K70F120M Primary Connector Pinout	18
Table 8. TWR-K70F120M Primary Connector Pinout	21

Revision History

Revision	Date	Changes
0.1	Nov 17, 2011	Initial Release for PWA 700-27166 Rev B
1.0	Dec 2, 2011	Removed references to J18 and added info on using J19 to replace J18's functionality.
1.1	Nov 20, 2012	Added information on running EVB at 150MHz Added jumper details for rev C board Added information on using trace

1 TWR-K70F120M and TWR-K70F120M-KIT Overview

The TWR-K70F120M is a development board for the K61 and K70 family 32-bit ARM® Cortex™-M4 MCUs. The TWR-K70F120M is populated with a device rated for 120 MHz operation across the full -40C to 85C temperature range. At room temperatures the board can be over-clocked to 150 MHz to allow for evaluation of the K70 and K61 devices that are rated for 150 MHz operation across the full temperature range.

The TWR-K70F120M is a Tower Controller Module compatible with the Freescale Tower System. It can function as a stand-alone, low-cost platform for the evaluation of the Kinetis K10, K20, K6x, and K70 family of microcontroller (MCU) devices. The TWR-K70F120M features the Kinetis K70 low-power microcontroller based on the ARM® Cortex™-M4 architecture with graphical LCD controller, tamper detection, USB 2.0 HS Controller, USB 2.0 full-speed OTG controller and 10/100 Mbps Ethernet MAC.

The TWR-K70F120M is available as a stand-alone product or as a kit (TWR-K70F120M-KIT) with the Tower Elevator Modules (TWR-ELEV) and the Tower Serial Module (TWR-SER). The TWR-K70F120M can also be combined with other Freescale Tower peripheral modules to create development platforms for a wide variety of applications. 0 provides an overview of the Freescale Tower System.

Controller Module

- Tower MCU/MPU board
- Works stand-alone or in Tower System
- Features integrated debugging interface for easy programming and run-control via standard USB cable

Secondary Elevator

- Additional and secondary serial and expansion bus signals
- Standardized signal assignments
- Mounting holes and expansion connectors for side-mounting peripheral boards

Size

- Tower is approx. 3.5" H x 3.5" W x 3.5" D when fully assembled

Peripheral Module

- Examples include serial interface module, memory expansion module and Wi-Fi®

Primary Elevator

- Common serial and expansion bus signals
- Two 2x80 connectors on backside for easy signal access and side-mounting board (LCD module)
- Power regulation circuitry
- Standardized signal assignments
- Mounting holes

Board Connectors

- Four card-edge connectors
- Uses PCI Express® connectors (x16, 90 mm/ 3.5" long, 164 pins)

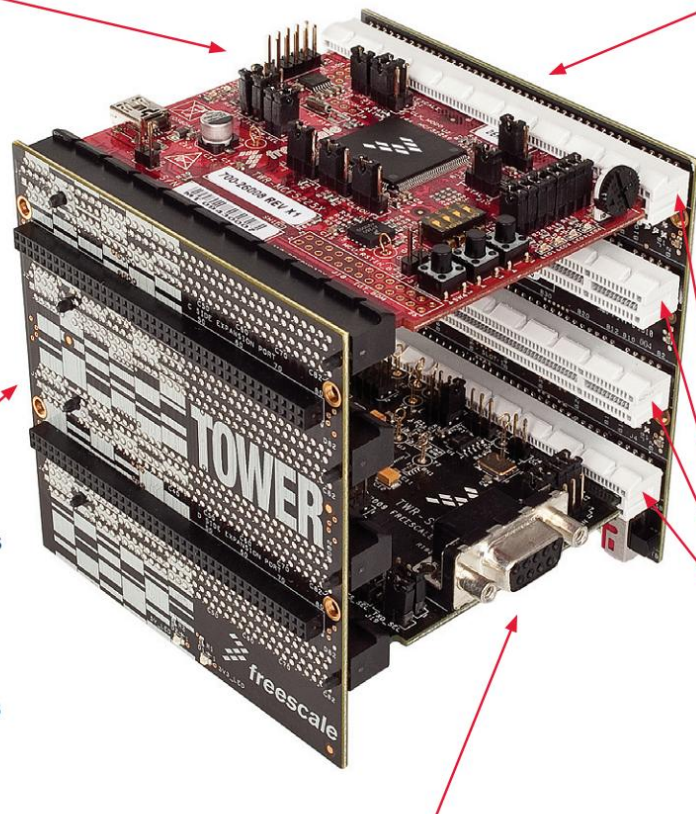


Figure 1. Freescale Tower System Overview

1.1 Contents

The TWR-K70F120M contents include:

- TWR-K70F120M board assembly
- 3ft USB cable
- Interactive DVD with software installers and documentation
- Quick Start Guide

The TWR-K70F120M-KIT contains:

- TWR-K70F120M MCU module
- TWR-ELEV – Primary and Secondary Elevator Modules
- TWR-SER – Serial module including USB host/device/OTG, Ethernet, CAN, RS232 and RS485

1.2 Features

Figure 2 and Figure 3 show the TWR-K70F120M with some of the key features called out. The following list summarizes the features of the TWR-K70F120M Tower MCU Module:

- Tower compatible microcontroller module
- MK70FN1M0VMJ12: K70FN1M in a 256 MAPBGA with 120 MHz operation
- Touch Tower Plug-in Socket
- General purpose Tower Plug-in (TWRPI) socket
- On-board JTAG debug circuit (OSJTAG) with virtual serial port
- 1Gb of DDR2 SDRAM memory
- 2Gb of SLC NAND flash memory
- Three axis accelerometer (MMA8451Q)
- Four (4) user-controllable LEDs
- Four (4) capacitive touch pads
- Two (2) user pushbutton switches
- Potentiometer
- Battery Holder for 20mm lithium battery (e.g. 2032, 2025)
- Micro-SD Card slot

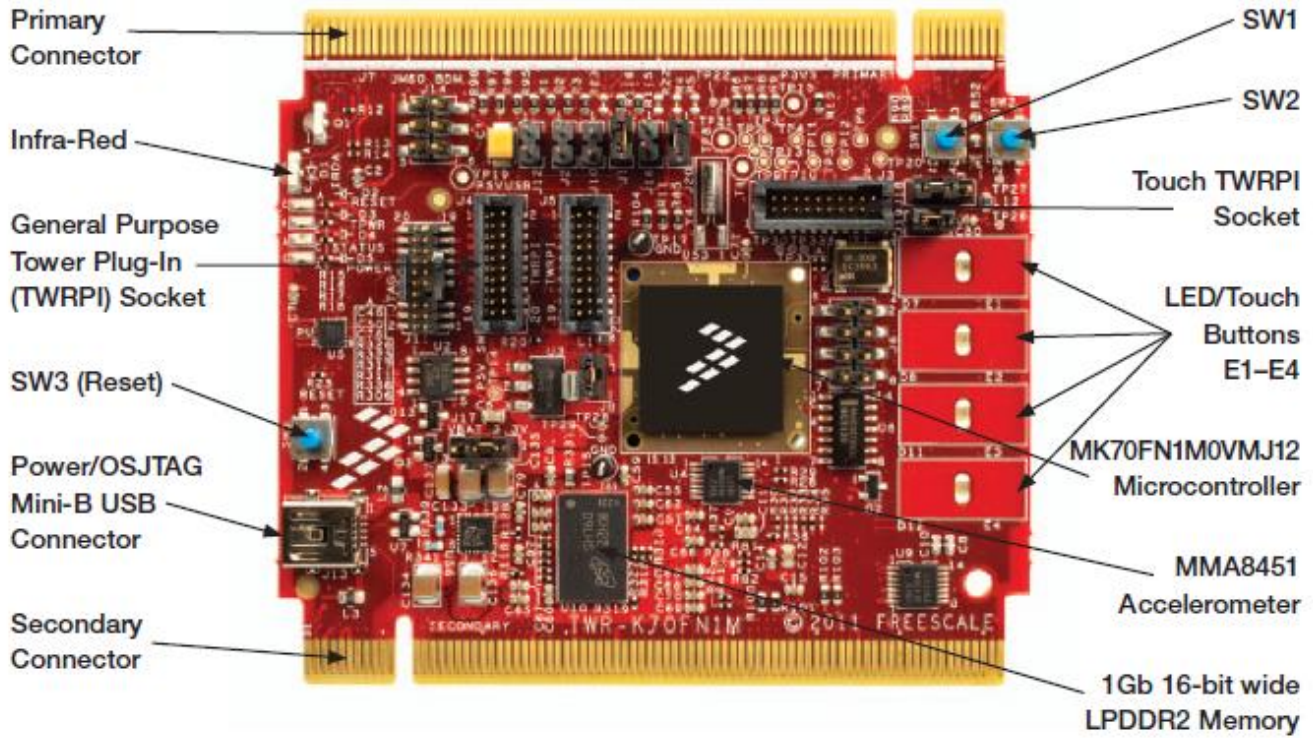


Figure 2. Callouts on front side of the TWR-K70F120M



Figure 3. Callouts on back side of the TWR-K70F120M

1.3 Getting Started

Follow the Quick Start Guide found printed in the TWR-K70F120M box or the interactive DVD for the list of recommended steps for getting started. There are also lab walk-through guides available on the tool support page for the TWR-K70F120M: <http://www.freescale.com/TWR-K70F120M>.

1.4 Reference Documents

The documents listed below should be referenced for more information on the Kinetis family, Tower System, and MCU Modules. These can be found in the documentation section of [freescale.com/TWR-K70F120M](http://www.freescale.com/TWR-K70F120M) or [freescale.com/kinetis](http://www.freescale.com/kinetis).

- *TWR-K70F120M-QSG: Quick Start Guide*
- *TWR-K70F120M-SCH: Schematics*
- *TWR-K70F120M-PWB: Design Package*
- *K70 Family Product Brief*
- *K70 Family Reference Manual*
- *Tower Configuration Tool*

2 Hardware Description

The TWR-K70F120M is a Tower Controller Module featuring the MK70FN1M0VMJ12—an ARM Cortex-M4 based microcontroller with graphical LCD controller, tamper detection, USB 2.0 HS Controller, USB 2.0 full-speed OTG controller and 10/100 Mbps Ethernet MAC in a 256 MAPBGA package with a maximum core operating frequency of 120MHz. It is intended for use in the Freescale Tower System but can operate stand-alone. An on-board debug circuit, OSJTAG, provides a JTAG debug interface and a power supply input through a single USB mini-AB connector. Figure 4 shows a block diagram of the TWR-K70F120M. The following sections describe the hardware in more detail.

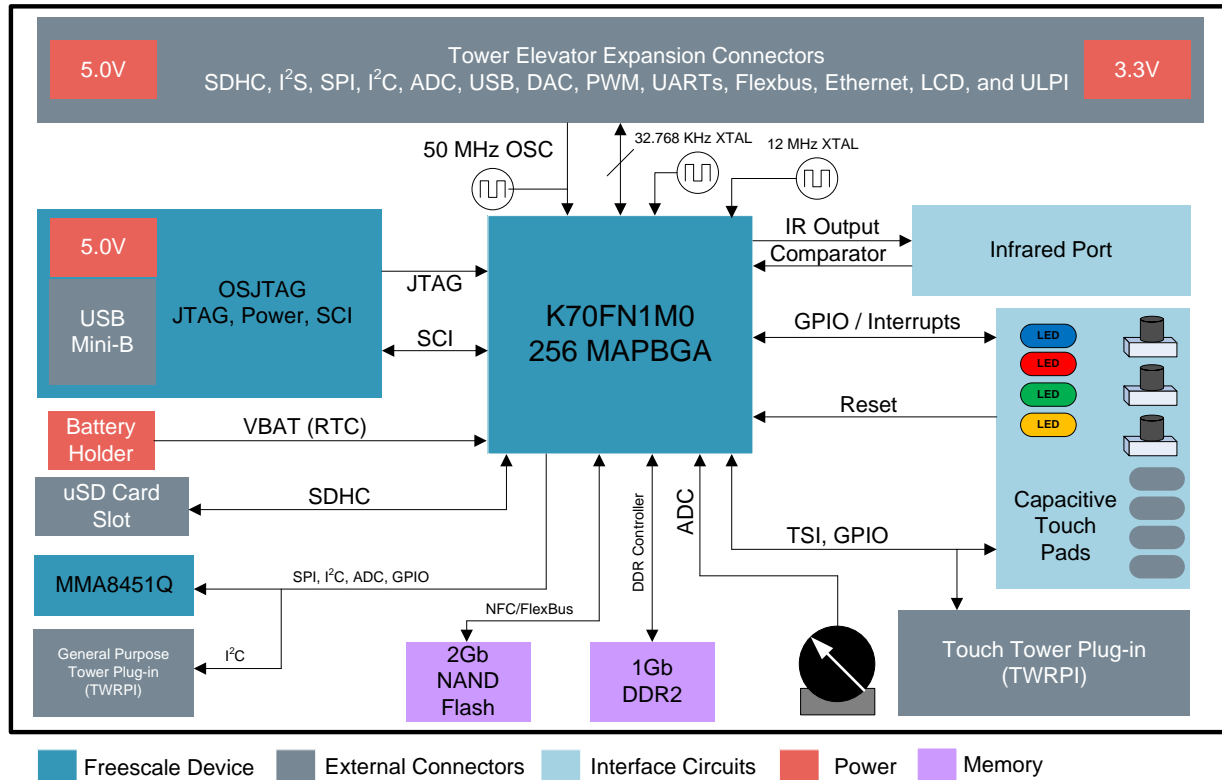


Figure 4. TWR-K70F120M Block Diagram

2.1 K70FN1M0 Microcontroller

The TWR-K70F120M module features the MK70FN1M0VMJ12. The K70 microcontroller family is part of the Kinetis portfolio of devices built around an ARM Cortex-M4 core. Refer to the *K70 Family Product Brief* and the *K70 Family Reference Manual* for comprehensive information on the MK70FN1M0VMJ12 device. The key features are listed here:

- 32-bit ARM Cortex-M4 core with DSP instructions
- 120MHz maximum core operating frequency
- 256 MABGA, 17mm x 17mm, 1.0mm pitch package
- 1.71V – 3.6V operating voltage input range
- 1 Mbyte of program flash, 128 Kbytes of static RAM
- DDR controller supporting DDR1, LPDDR1, and DDR2 memory
- NAND flash controller
- External bus interface
- Power management controller with 10 different power modes
- Multi-purpose clock generator with PLL and FLL operation modes
- 16-bit SAR ADC, 12-bit DAC
- High-speed analog comparator with 6-bit DAC
- Programmable voltage reference
- USB high-speed OTG controller
- USB full-speed/low-speed OTG/Host/Device controller with device charge detect
- 10/100 Mbps Ethernet MAC

- SPI, I²C (w/ SMBUS support), UART (w/ ISO7816, CEA709.1-B (LON), and IrDA support), CAN, I²S
- SD Host Controller (SDHC)
- GPIO with pin interrupt support, DMA request capability, digital glitch filtering
- Capacitive touch sensing inputs (TSI)
- Debug interfaces: JTAG, cJTAG, SWD
- Trace: TPIO, FPB, DWT, ITM, ETM, ETB

2.2 Clocking

The Kinetis MCUs start up from an internal digitally controlled oscillator (DCO). Software can enable one, two, or three external oscillators if desired. Two of the external oscillators provide clocks to the Multipurpose Clock Generator (MCG) module and can range from 32.768 KHz up to a 32 MHz crystal or ceramic resonator. The external oscillator for the Real Time Clock (RTC) module accepts a 32.768 kHz crystal.

The EXTAL0 and EXTAL1 pins of the main external oscillators can also be driven directly from an external clock source. The TWR-K70F120M features a 50 MHz on-board clock oscillator connected to EXTAL0 as seen in sheet 4 of the schematics. However, when the K70 Ethernet MAC is operating in RMII mode, synchronization of the MCU input clock and the 50 MHz RMII transfer clock is important. In this mode, the MCU input clock must be kept in phase with the 50 MHz clock supplied to the external PHY. Therefore, the TWR-K70F120M provides the option (see jumper description in Table 5) to select the clock input to the MCU from 1) the on-board 50MHz source or 2) an external clock from the CLKIN0 pin on the Primary Connector. When the K70 is operating in Ethernet RMII mode, the Tower peripheral module implementing the RMII PHY device should drive a 50 MHz clock on the CLKIN0 signal that is kept in phase with the clock supplied to the RMII PHY. Refer to section 2.13 “Ethernet” for more information.

The TWR-K70F120M also includes a 12MHz crystal connected to EXTAL1/XTAL1.

2.3 System Power

In stand-alone operation, the main power source for the TWR-K70F120M module is derived from the 5.0V input from either the USB mini-B connector, J13, or the debug header, J11, when a shunt is placed on jumper J12. A low-dropout regulator provides a 3.3V supply from the 5.0V input voltage. Refer to sheet 6 of the TWR-K70F120M schematics for more details.

When installed into a Tower System, the TWR-K70F120M can be powered from either an on-board source or from another source in the assembled Tower System. If both the on-board and off-board sources are available, the TWR-K70F120M will default to the off-board source.

The 3.3V power supplied to the MCU is routed through two jumpers, J8 and J20. J8 can be supplies VDD to the processor and also VDD_INT as long as J20 is installed. J20 supplies VDD_INT to the processor. The jumper shunts can be removed to allow for either 1) alternate MCU supply voltages to be injected or 2) the measurement of power consumed by the MCU.

2.3.1 RTC VBAT

The Real Time Clock (RTC) module on the K70 has two modes of operation, system power-up and system power-down. During system power-down, the RTC is powered from the backup power supply, VBAT. The TWR-K70F120M provides a battery holder for a coin cell battery that can be used as the VBAT supply. The holder can accept common 20mm diameter 3V lithium coin cell batteries (e.g. 2032, 2025). Refer to the description J17 in Table 5 “TWR-K70F120M Jumper Table” for more information.

2.4 Debug Interface

There are two debug interface options provided: the on-board OSJTAG circuit and an external Cortex Debug+ETM connector.

2.4.1 OSJTAG

An on-board MC9S08JM60 based Open Source JTAG (OSJTAG) circuit provides a JTAG debug interface to the K70FN1M0. A standard USB A male to Mini-B male cable (provided) can be used for debugging via the USB connector, J13. The OSJTAG interface also provides a USB to serial bridge. Drivers for the OSJTAG interface are provided in the *P&E Micro Kinetis Tower Toolkit* (available on the included DVD).

2.4.2 Cortex Debug+ETM Connector

The Cortex Debug+ETM connector is a 20-pin (0.05") connector providing access to the SWD, SWV, JTAG, cJTAG, EzPort and ETM trace (4-bit) signals available on the K70 device. The pinout and K70 pin connections to the debug connector, J11, is shown in Table 1.

NOTE: The TRACE_CLKOUT signal is not connected to the debug connector by default. In order to use trace functionality R137 should be populated and R138 and R11 should be removed.

Table 1. Cortex Debug+ETM Connector Pinout

Pin	Function	TWR-K70F120M Connection
1	VTref	3.3V MCU supply (P3V3_MCU)
2	TMS / SWDIO	PTA3/SCI0_RTS_b/FTM0_CH0/JTAG_MS/SWD_DIO
3	GND	GND
4	TCK / SWCLK	PTA0/SCI0_CTS_b/FTM0_CH5/JTAG_CLK/SWD_CLK/EZP_CLK
5	GND	GND
6	TDO / SWO	PTA2/SCI0_TX/FTM0_CH7/JTAG_DO/TRACE_SWO/EZP_DO
7	Key	—
8	TDI	PTA1/SCI0_RX/FTM0_CH6/JTAG_DI/EZP_DI
9	GNDDetect	PTA4/FTM0_CH1/MS/NMI_b/EZP_CS_b
10	nRESET	RESET_b
11	Target Power	5V supply (via J12)
12	TRACECLK	PTA6/FTM0_CH3/TRACE_CLKOUT
13	Target Power	5V supply (via J12)
14	TRACEDATA[0]	PTA10/FTM2_CH0/FTM2_QD_PHA/TRACE_D0
15	GND	GND
16	TRACEDATA[1]	PTA9/FTM1_CH1/FTM1_QD_PHB/TRACE_D1
17	GND	GND

Pin	Function	TWR-K70F120M Connection
18	TRACEDATA[2]	PTA8/FTM1_CH0/FTM1_QD_PHA/TRACE_D2
19	GND	GND
20	TRACEDATA[3]	PTA7/FTM0_CH4/TRACE_D3

Note: Many of the trace signals connected to the debug connector are also connected elsewhere on the TWR-K70F120M. Refer to Table 6 “I/O Connectors and Pin Usage Table” and Table 7 “TWR-K70F120M Primary Connector Pinout” for more information.

2.5 Graphical LCD Interface

The K70FN1M0 processor includes an on-chip graphical LCD controller module. The module is not used directly on the TWR-K70F120M board, but the LCD signals are routed to the Secondary connector, allowing the connection to an external LCD or additional circuitry on a Tower peripheral module.

The TWR-LCD-RGB will provide an LCD panel and all required external circuitry so that it can interface directly to the TWR-K70F120M. This is an easy way to evaluate the graphical LCD module on the K70 processor.

2.6 DDR2 Memory

The TWR-K70F120M includes 1Gb of DDR2 memory (MT47H64M16HR-25). The board also includes a DDR regulator that provides the main 1.8V supply for the memory and the processors SDRAM pads as well as VTT and VREF voltages.

2.7 NAND Flash

The TWR-K70F120M includes 2Gb of SLC NAND flash memory (MT29F2G15ABAEAWP). The data lines used for the NAND flash are shared between the NAND flash controller and the FlexBus interface. Internal arbitration logic in the processor allows for dynamic sharing between the NAND flash and FlexBus interfaces.

2.8 Infrared Port

An infrared transmit and receive interface is implemented on the board. The CMT_IRO pin directly drives an infrared diode. The receiver uses an infrared phototransistor connected to an on-chip analog comparator through a low-pass filter. Internal to the K70 device, the output of the analog comparator can be routed to a UART module for easier processing of the incoming data stream.

2.9 Accelerometer

An MMA8451Q digital accelerometer is connected to the K70 MCU through an I2C interface and a GPIO/IRQ signal. Refer to Table 6 “I/O Connectors and Pin Usage Table” for connection details.

2.10 Potentiometer, Pushbuttons, LEDs

The TWR-K70F120M features two pushbutton switches connected to GPIO/interrupt signals, one pushbutton connected to the master reset signal, four capacitive touch pad electrodes, four user-controllable LEDs, and a potentiometer connected to an ADC input signal. Refer to Table 6 “I/O Connectors and Pin Usage Table” for information about which port pins are connected to these features.

2.11 General Purpose Tower Plug-in (TWRPI) Socket

The TWR-K70F120M features a socket that can accept a variety of different Tower Plug-in modules featuring sensors, RF transceivers, and more. The General Purpose TWRPI socket provides access to I2C, SPI, IRQs, GPIOs, timers, analog conversion signals, TWRPI ID signals, reset, and voltage supplies. The pinout for the TWRPI Socket is defined in Table 2.

Refer to Table 6 “I/O Connectors and Pin Usage Table” for the specific K70 pin connections to the General Purpose TWRPI socket.

Table 2. General Purpose TWRPI socket pinout

Left-side 2x10 Connector		Right-side 2x10 Connector	
Pin	Description	Pin	Description
1	5V VCC	1	GND
2	3.3 V VCC	2	GND
3	GND	3	I2C: SCL
4	3.3V VDDA	4	I2C: SDA
5	VSS (Analog GND)	5	GND
6	VSS (Analog GND)	6	GND
7	VSS (Analog GND)	7	GND
8	ADC: Analog 0	8	GND
9	ADC: Analog 1	9	SPI: MISO
10	VSS (Analog GND)	10	SPI: MOSI
11	VSS (Analog GND)	11	SPI: SS
12	ADC: Analog 2	12	SPI: CLK
13	VSS (Analog GND)	13	GND
14	VSS (Analog GND)	14	GND
15	GND	15	GPIO: GPIO0/IRQ
16	GND	16	GPIO: GPIO1/IRQ
17	ADC: TWRPI ID 0	17	GPIO: GPIO2
18	ADC: TWRPI ID 1	18	GPIO: GPIO3
19	GND	19	GPIO: GPIO4/Timer
20	Reset	20	GPIO: GPIO5/Timer

2.12 Touch Interface

The touch sensing input (TSI) module of the Kinetis MCUs provides capacitive touch sensing detection with high sensitivity and enhanced robustness. Each TSI pin implements the capacitive measurement of an electrode.

The TWR-K70F120M provides two methods for evaluating the TSI module. There are four individual electrodes on-board the TWR-K70F120M that simulate pushbuttons. Additionally, twelve TSI signals are connected to a Touch Tower Plug-in (TWRPI) socket that can accept Touch TWRPI daughter cards that may feature keypads, rotary dials, sliders, etc.

The pinout for the Touch TWRPI socket is defined in Table 3. Refer to Table 6 “I/O Connectors and Pin Usage Table” for the specific K70 pin connections to the Touch TWRPI socket.

Table 3. Touch TWRPI socket pinout

Pin	Description
1	5V VCC
2	3.3 V VCC
3	Electrode 0
4	3.3V VDDA
5	Electrode 1
6	VSS (Analog GND)
7	Electrode 2
8	Electrode 3
9	Electrode 4
10	Electrode 5
11	Electrode 6
12	Electrode 7
13	Electrode 8
14	Electrode 9
15	Electrode 10
16	Electrode 11
17	ADC: TWRPI ID 0
18	ADC: TWRPI ID 1
19	GND
20	Reset

2.13 Ethernet

The K70FN1M0 features a 10/100 Mbps Ethernet MAC with MII and RMII interfaces. The TWR-K70F120M routes the RMII interface signals from the K70 MCU to the Primary Connector, allowing the connection to an external Ethernet PHY device on a Tower peripheral module.

When the K70 Ethernet MAC is operating in RMII mode, synchronization of the MCU clock and the 50 MHz RMII transfer clock is important. The MCU input clock must be kept in phase with the 50 MHz clock supplied to the external PHY. Therefore, the TWR-K70F120M provides the option (see jumper descriptions Table 5) to clock the MCU from an external clock from the CLKIN0 pin on the Primary Connector. The Tower peripheral module implementing the RMII PHY device should drive a 50 MHz clock on the CLKIN0 pin that is kept in phase with the clock supplied to the RMII PHY.

The TWR-SER module that comes as part of the TWR-K70F120M-KIT provides a 10/100 Ethernet PHY that can operate in either MII or RMII mode. By default the PHY is boot strapped to operate in MII mode; therefore jumper configuration changes may be required. Table 4 shows the settings for proper interoperability between the Ethernet interface on the TWR-SER and the TWR-K70F120M.

Table 4. Ethernet operation jumper settings

Tower Module	Jumper	Setting
TWR-K70F120M(rev B)	J19	OFF
TWR-K70F120M(rev C)	J18	ON

TWR-SER	J2	3-4
TWR-SER	J3	2-3
TWR-SER	J12	9-10

2.14 USB

The K70FN1M0 features two different USB modules--a USB full-speed/low-speed OTG/Host/Device controller with built-in transceiver and a high-speed OTG/Host/Device controller that requires an external ULPI PHY.

2.14.1 FS/LS USB

The TWR-K70F120M routes the USB D+ and D- signals from the K70 MCU to the Primary Connector, allowing the connection to external USB connectors or additional circuitry on a Tower peripheral module.

The TWR-SER module included as part of the TWR-K70F120M-KIT provides a USB OTG/Host/Device interface with a mini-AB USB connector. There are many configuration options that can be selected to evaluate different USB modes of operation. By default, the TWR-SER is configured for USB Device operation. Please refer to the documentation included with the TWR-SER for more information on the configuration options.

2.14.2 HS USB

The TWR-K70F120M routes the ULPI interface signals for the high-speed USB module to the Secondary Connector allowing the connection to an external ULPI PHY or additional circuitry on a Tower peripheral module.

The TWR-SER2 module includes a ULPI PHY that can be used with the TWR-K70F120M in order to evaluate the high-speed USB functionality. The TWR-SER2 is not included as part of the TWR-K70F120M-KIT, but the boards can be ordered individually from Freescale.

2.15 Secure Digital Card Slot

A Micro-Secure Digital (SD) card slot is available on the TWR-K70F120M connected to the SD Host Controller (SDHC) signals of the K70 MCU. This slot will accept micro-SD memory cards. Refer to Table 6 “I/O Connectors and Pin Usage Table” for the SDHC signal connection details.

2.16 External Bus Interface – FlexBus

The K70 device features a multi-function external bus interface called the FlexBus interface controller capable of interfacing to slave-only devices. The FlexBus interface is not used directly on the TWR-K70F120M. Instead, a subset of the FlexBus is connected to the Primary Connector so that the external bus can access devices on Tower peripheral modules. Refer to Table 7 “TWR-K70F120M Primary Connector Pinout” and sheet 8 of the TWR-K70F120M schematics for more details.

3 Jumper Table

There are several jumpers on the TWR-K70F120M that provide configuration selection and signal isolation. Refer to the following table for details. The default installed jumper settings are shown in bold with asterisks.

Table 5. TWR-K70F120M Jumper Table

Jumper	Option	Setting	Description
J1	USB VREGIN Power Connection	*ON*	Connect USB0_VBUS from Primary Elevator (A57) to VREGIN
		OFF	Disconnect VREGIN from Primary Elevator
J2	Infrared Transmitter Connection	ON	Connect PTD7/CMT_IRO/UART0_TX to IR Transmitter (D1)
		OFF	Disconnect PTD7/CMT_IRO/UART0_TX from IR Transmitter (D1)
J8	MCU Power Connection	*ON*	Connect on-board 3.3V supply to MCU
		OFF	Isolate MCU from power supply (allows for external supply or power measurements)
J10	OSJTAG Mode Selection	ON	OSJTAG bootloader mode (OSJTAG firmware reprogramming)
		OFF	Debugger mode
J12	JTAG Power Connection	ON	Connect on-board 5V supply to JTAG port (supports powering board from external JTAG probe)
		OFF	Disconnect on-board 5V supply from JTAG port
J16	Infrared Receiver Connection	ON	Connect DAC1_OUT/CMP2_IN3 to IR Receiver
		OFF	Disconnect DAC1_OUT/CMP2_IN3 to IR Receiver
J17	VBAT Power Selection	*1-2*	Connect VBAT to on-board 3.3V supply
		2-3	Connect VBAT to the higher voltage between on-board 3.3V supply or coin-cell supply
J18 (revC board)	50 MHz oscillator output enable	ON	On-board 50MHz oscillator disabled. Off-board clock drives main EXTAL. NOTE: This option should be selected whenever a tower module card that provides a clock on primary elevator pin B24 is connected to the CPU module. Otherwise there will be contention between the two clock sources.
		OFF	On-board 50MHz oscillator enabled. On-board 50 MHz clock drives main EXTAL.
J19 (revC board)	50 MHz oscillator power	*ON*	Power supply to 50MHz oscillator enabled.
		OFF	Power supply to 50MHz oscillator disabled.

J19 (revB board)	50MHz clock disable.	*ON*	On-board 50MHz oscillator enabled. On-board 50 MHz clock drives main EXTAL.
		OFF	On-board 50MHz oscillator disabled. Off-board clock drives main EXTAL. NOTE: This option must be selected whenever a tower module card that provides a clock on primary elevator pin B24 is connected to the CPU module. Otherwise there will be contention between the two clock sources.
J20	MCU VDD_INT Power Connection	*ON*	Connect VDD and VDD_INT rails together
		OFF	Isolate MCU VDD_INT from power supply (allows for external supply or power measurements)

4 Input/Output Connectors and Pin Usage Table

The following table provides details on which K70FN1M0 pins are used to communicate with the LEDs, switches, and other I/O interfaces onboard the TWR-K70F120M.

Note: Some port pins are used in multiple interfaces on-board and many are potentially connected to off-board resources via the Primary and Secondary Connectors. Take care to avoid attempted simultaneous usage of mutually exclusive features.

Table 6. I/O Connectors and Pin Usage Table

Feature	Connection	Port Pin	Pin Function
OSJTAG USB-to-serial Bridge	OSJTAG Bridge RX Data	PTE17	UART2_RX
	OSJTAG Bridge TX Data	PTE16	UART2_TX
SD Card Slot	SD Clock	PTE2	SDHC0_DCLK
	SD Command	PTE3	SDHC0_CMD
	SD Data0	PTE1	SDHC0_D0
	SD Data1	PTE0	SDHC0_D1
	SD Data2	PTE5	SDHC0_D2
	SD Data3	PTE4	SDHC0_D3
	SD Card Detect	PTE28	PTE28
Infrared Port	IR Transmit	PTD7	CMT_IRO
	IR Receive	—	CMP2_IN3
Pushbuttons	SW1 (IRQ0)	PTD0	PTD0
	SW2 (IRQ1)	PTE26	PTE26
	SW3 (RESET)	RESET_b	RESET_b
Touch Pads	E1 / Touch	PTA4	TSI0_CH5
	E2 / Touch	PTB3	TSI0_CH8
	E3 / Touch	PTB2	TSI0_CH7
	E4 / Touch	PTB16	TSI0_CH9
LEDs	E1 / Orange LED	PTA11	PTA11
	E2 / Yellow LED	PTA28	PTA28
	E3 / Green LED	PTA29	PTA29
	E4 / Blue LED	PTA10	PTA10

Potentiometer	Potentiometer (R71)	—	ADC1_DM1
Accelerometer	I2C SDA	PTE18	I2C0_SDA
	I2C SCL	PTE19	I2C0_SCL
	INT1	PTB4	PTB4
	INT2	PTB7	PTB7
General Purpose TWRPI Socket	TWRPI AN0 (J4 Pin 8)	—	ADC0_DP0/ADC1_DP3
	TWRPI AN1 (J4 Pin 9)	—	ADC0_DM0/ADC1_DM3
	TWRPI AN2 (J4 Pin 12)	—	ADC1_DP0/ADC0_DP3
	TWRPI ID0 (J4 Pin 17)	—	ADC0_DP1/ADC2_DP0/ADC3_DP3
	TWRPI ID1 (J4 Pin 18)	—	ADC0_DM1/ADC2_DM0/ADC3_DM3
	TWRPI I2C SCL (J5 Pin 3)	PTE19	I2C0_SCL
	TWRPI I2C SDA (J5 Pin 4)	PTE18	I2C0_SDA
	TWRPI SPI MISO (J5 Pin 9)	PTD14	SPI2_SIN
	TWRPI SPI MOSI (J5 Pin 10)	PTD13	SPI2_SOUT
	TWRPI SPI SS (J5 Pin 11)	PTD15	SPI2_PCS1
	TWRPI SPI CLK (J5 Pin 12)	PTD12	SPI2_SCK
	TWRPI GPIO0 (J5 Pin 15)	PTB4	PTB4
	TWRPI GPIO1 (J5 Pin 16)	PTB8	PTB8
	TWRPI GPIO2 (J5 Pin 17)	PTB9	PTB9
	TWRPI GPIO3 (J5 Pin 18)	PTA19	PTA19
	TWRPI GPIO4 (J5 Pin 19)	PTE26	PTE26
Touch Pad / Segment LCD TWRPI Socket	Electrode 0 (J3 Pin 3)	PTB0	TSI0_CH0
	Electrode 1 (J3 Pin 5)	PTB1	TSI0_CH6
	Electrode 2 (J3 Pin 7)	PTB2	TSI0_CH7
	Electrode 3 (J3 Pin 8)	PTB3	TSI0_CH8
	Electrode 4 (J3 Pin 9)	PTC0	TSI0_CH13
	Electrode 5 (J3 Pin 10)	PTC1	TSI0_CH14
	Electrode 6 (J3 Pin 11)	PTC2	TSI0_CH15
	Electrode 7 (J3 Pin 12)	PTA4	TSI0_CH5
	Electrode 8 (J3 Pin 13)	PTB16	TSI0_CH9
	Electrode 9 (J3 Pin 14)	PTB17	TSI0_CH10
	Electrode 10 (J3 Pin 15)	PTB18	TSI0_CH11
	Electrode 11 (J3 Pin 16)	PTB19	TSI0_CH12
	TWRPI ID0 (J3 Pin 17)	—	ADC1_DP1
	TWRPI ID1 (J3 Pin 18)	—	ADC1_SE16
	I2S/SAI Header	RX_FS	PTE8
TX_FS		PTE11	I2S0_TX_FS
TXD0		PTE10	I2S0_TXD0
RXD0		PTE7	I2S0_RXD0
RX_BCLK		PTE9	I2S0_RX_BCLK
TX_BCLK		PTE12	I2S0_TX_BCLK
MCLK		PTE6	I2S0_MCLK

5 Tower Elevator Connections

The TWR-K70F120M features two expansion card-edge connectors that interface to the Primary and Secondary Elevator boards in a Tower system. The Primary Connector (comprised of sides A and B) is utilized by the TWR-K70F120M while the Secondary Connector (comprised of sides C and D) only makes connections to the GND pins. Table 7 provides the pinout for the Primary Connector.

Table 7. TWR-K70F120M Primary Connector Pinout

TWR-K70F120M Primary Connector							
Pin #	Side B			Pin #	Side A		
	Name	Group	Usage		Name	Group	Usage
B1	5V	Power	5.0V Power	A1	5V	Power	5.0V Power
B2	GND	Power	Ground	A2	GND	Power	Ground
B3	3.3V	Power	3.3V Power	A3	3.3V	Power	3.3V Power
B4	ELE_PS_SENSE	Power	Elevator Power Sense	A4	3.3V	Power	3.3V Power
B5	GND	Power	Ground	A5	GND	Power	Ground
B6	GND	Power	Ground	A6	GND	Power	Ground
B7	SDHC_CLK / SPI1_CLK	SDHC / SPI 1	PTE2	A7	SCL0	I2C 0	PTE19
B8	SDHC_D3 / SPI1_CS1_b	SDHC / SPI 1		A8	SDA0	I2C 0	PTE18
B9	SDHC_D3 / SPI1_CS0_b	SDHC / SPI 1	PTE4	A9	GPIO9 / CTS1	GPIO / UART	PTE18
B10	SDHC_CMD / SPI1_MOSI	SDHC / SPI 1	PTE3	A10	GPIO8 / SDHC_D2	GPIO / SDHC	PTE5
B11	SDHC_D0 / SPI1_MISO	SDHC / SPI 1	PTE1	A11	GPIO7 / SD_WP_DET	GPIO / SDHC	PTE27
B12	ETH_COL	Ethernet		A12	ETH_CRS	Ethernet	
B13	ETH_RXER	Ethernet	PTA5	A13	ETH_MDC	Ethernet	PTB1
B14	ETH_TXCLK	Ethernet		A14	ETH_MDIO	Ethernet	PTB0
B15	ETH_TXEN	Ethernet	PTA15	A15	ETH_RXCLK	Ethernet	
B16	ETH_TXER	Ethernet		A16	ETH_RXDV	Ethernet	PTA14
B17	ETH_TXD3	Ethernet		A17	ETH_RXD3	Ethernet	
B18	ETH_TXD2	Ethernet		A18	ETH_RXD2	Ethernet	
B19	ETH_TXD1	Ethernet	PTA17	A19	ETH_RXD1	Ethernet	PTA12
B20	ETH_TXD0	Ethernet	PTA16	A20	ETH_RXD0	Ethernet	PTA13
B21	GPIO1 / RTS1	GPIO /	PTE19	A21	SSI_MCLK	SSI	PTE6

1		UART		1			
B2 2	GPIO2 / SDHC_D1	GPIO / SDHC	PTE0	A2 2	SSI_BCLK	SSI	PTE12
B2 3	GPIO3	GPIO	PTE28	A2 3	SSI_FS	SSI	PTE11
B2 4	CLKIN0	Clock	PTA18	A2 4	SSI_RXD	SSI	PTE7
B2 5	CLKOUT1	Clock	PTE26	A2 5	SSI_TXD	SSI	PTE10
B2 6	GND	Power	Ground	A2 6	GND	Power	Ground
B2 7	AN7	ADC	ADC0_DP1	A2 7	AN3	ADC	PGA0_DP/ADC0_DP0/A DC1_DP3
B2 8	AN6	ADC	ADC0_DM1	A2 8	AN2	ADC	PGA0_DM/ADC0_DM0/ ADC1_DM3
B2 9	AN5	ADC	ADC1_DP1	A2 9	AN1	ADC	PGA1_DP/ADC1_DP0/A DC0_DP3
B3 0	AN4	ADC	ADC1_DM1	A3 0	AN0	ADC	PGA1_DM/ADC1_DM0/ ADC0_DM3
B3 1	GND	Power	Ground	A3 1	GND	Power	Ground
B3 2	DAC1	DAC	DAC1_OUT	A3 2	DAC0	DAC	DAC0_OUT
B3 3	TMR3	Timer		A3 3	TMR1	Timer	PTA9
B3 4	TMR2	Timer	PTD6	A3 4	TMR0	Timer	PTA8
B3 5	GPIO4	GPIO	PTB8	A3 5	GPIO6	GPIO	PTB9
B3 6	3.3V	Power	3.3V Power	A3 6	3.3V	Power	3.3V Power
B3 7	PWM7	PWM	PTA2	A3 7	PWM3	PWM	PTA6
B3 8	PWM6	PWM	PTA1	A3 8	PWM2	PWM	PTC3
B3 9	PWM5	PWM	PTD5	A3 9	PWM1	PWM	PTC2
B4 0	PWM4	PWM	PTA7	A4 0	PWM0	PWM	PTC1
B4 1	CANRX0	CAN 0	PTC16	A4 1	RXD0	UART 0	PTF7
B4 2	CANTX0	CAN 0	PTC17	A4 2	TXD0	UART 0	PTF8
B4 3	1WIRE	1-Wire		A4 3	RXD1	UART 1	PTE17
B4 4	SPI0_MISO	SPI 0	PTD14	A4 4	TXD1	UART 1	PTE16
B4 5	SPI0_MOSI	SPI 0	PTD13	A4 5	VSS	Analog Vref	VSSA
B4 6	SPI0_CS0_b	SPI 0	PTD11	A4 6	VDDA	Analog Vref	VDDA
B4 7	SPI0_CS1_b	SPI 0	PTD15	A4 7	CANRX1	CAN 1	
B4	SPI0_CLK	SPI 0	PTD12	A4	CANTX1	CAN 1	

8				8			
B4	GND	Power	Ground	A4	GND	Power	Ground
B5	SCL1	I2C 1	PTE19	A5	GPIO14	GPIO	
B5	SDA1	I2C 1	PTE18	A5	GPIO15	GPIO	
B5	GPIO5 / SD_CARD_DET	GPIO / SDHC	PTE28	A5	GPIO16	GPIO	
B5	USB0_DP_PDOWN	USB 0		A5	GPIO17	GPIO	
B5	USB0_DM_PDOWN	USB 0		A5	USB0_DM	USB 0	USB0_DM
B5	IRQ_H	Interrupt	PTB4	A5	USB0_DP	USB 0	USB0_DP
B5	IRQ_G	Interrupt	PTB4	A5	USB0_ID	USB 0	
B5	IRQ_F	Interrupt	PTB5	A5	USB0_VBUS	USB 0	VREGIN
B5	IRQ_E	Interrupt	PTB5	A5	I2S0_DIN_SCK	I2S	PTE9
B5	IRQ_D	Interrupt	PTB6	A5	I2S0_DIN_WS	I2S	PTE8
B6	IRQ_C	Interrupt	PTB6	A6	I2S0_DIN1	I2S	PTE8
B6	IRQ_B	Interrupt	PTB7	A6	I2S0_DOUT1	I2S	PTE9
B6	IRQ_A	Interrupt	PTB7	A6	RSTIN_b	Reset	RESET_b
B6	EBI_ALE / EBI_CS1_b	EBI	PTD0	A6	RSTOUT_b	Reset	PTB8
B6	EBI_CS0_b	EBI	PTD1	A6	CLKOUT0	Clock	PTC3
B6	GND	Power	Ground	A6	GND	Power	Ground
B6	EBI_AD15	EBI	PTB18	A6	EBI_AD14	EBI	PTC0
B6	EBI_AD16	EBI	PTB17	A6	EBI_AD13	EBI	PTC1
B6	EBI_AD17	EBI	PTB16	A6	EBI_AD12	EBI	PTC2
B6	EBI_AD18	EBI	PTB11	A6	EBI_AD11	EBI	PTC4
B7	EBI_AD19	EBI	PTB10	A7	EBI_AD10	EBI	PTC5
B7	EBI_R/W_b	EBI	PTC11	A7	EBI_AD9	EBI	PTC6
B7	EBI_OE_b	EBI	PTB19	A7	EBI_AD8	EBI	PTC7
B7	EBI_D7	EBI	PTB20	A7	EBI_AD7	EBI	PTC8
B7	EBI_D6	EBI	PTB21	A7	EBI_AD6	EBI	PTC9
B7	EBI_D5	EBI	PTB22	A7	EBI_AD5	EBI	PTC10

5				5			
B7 6	EBI_D4	EBI	PTB23	A7 6	EBI_AD4	EBI	PTD2
B7 7	EBI_D3	EBI	PTC12	A7 7	EBI_AD3	EBI	PTD3
B7 8	EBI_D2	EBI	PTC13	A7 8	EBI_AD2	EBI	PTD4
B7 9	EBI_D1	EBI	PTC14	A7 9	EBI_AD1	EBI	PTD5
B8 0	EBI_D0	EBI	PTC15	A8 0	EBI_AD0	EBI	PTD6
B8 1	GND	Power	Ground	A8 1	GND	Power	Ground
B8 2	3.3V	Power	3.3V Power	A8 2	3.3V	Power	3.3V Power

Table 8. TWR-K70F120M Primary Connector Pinout

TWR-K70F120M Secondary Connector							
Pi n #	Side D			Pi n #	Side C		
	Name	Group	Usage		Name	Group	Usage
D1	5V	Power	5.0V Power	C1	5V	Power	5.0V Power
D2	GND	Power	Ground	C2	GND	Power	Ground
D3	3.3V	Power	3.3V Power	C3	3.3V	Power	3.3V Power
D4	ELE_PS_SENSE	Power	Elevator Power Sense	C4	3.3V	Power	3.3V Power
D5	GND	Power	Ground	C5	GND	Power	Ground
D6	GND	Power	Ground	C6	GND	Power	Ground
D7	SPI2_CLK	SPI 2	PTD12	C7	SCL2	I2C 2	PTE19
D8	SPI2_CS1_b	SPI 2	PTD15	C8	SDA2	I2C 2	PTE18
D9	SPI2_CS0_b	SPI 2	PTD11	C9	GPIO25	GPIO	
D1 0	SPI2_MOSI	SPI 2	PTD13	C1 0	ULPI_STOP	ULPI	PTA9
D1 1	SPI2_MISO	SPI 2	PTD14	C1 1	ULPI_CLK	ULPI	PTA6
D1 2	ETH_COL	Ethernet		C1 2	GPIO26	GPIO	
D1 3	ETH_RXER	Ethernet		C1 3	ETH_MDC	Ethernet	
D1 4	ETH_TXCLK	Ethernet		C1 4	ETH_MDIO	Ethernet	
D1 5	ETH_TXEN	Ethernet		C1 5	ETH_RXCLK	Ethernet	
D1 6	GPIO18	GPIO		C1 6	ETH_RXDV	Ethernet	
D1 7	GPIO19 / SDHC_D4	GPIO / SDHC		C1 7	GPIO27 / SDHC_D6	GPIO / SDHC	
D1	GPIO20 / SDHC_D5	GPIO /		C1	GPIO28 / SDHC_D7	GPIO /	

8		SDHC		8		SDHC	
D1 9	ETH_TXD1	Ethernet		C1 9	ETH_RXD1	Ethernet	
D2 0	ETH_TXD0	Ethernet		C2 0	ETH_RXD0	Ethernet	
D2 1	ULPI_NEXT / USB1_DM	ULPI / USB 1	PTA8	C2 1	ULPI_DATA0 / USB3_DM	ULPI / USB 3	PTA10
D2 2	ULPI_DIR / USB1_DP	ULPI / USB 1	PTA7	C2 2	ULPI_DATA1 / USB3_DP	ULPI / USB 3	PTA11
D2 3	UPLI_DATA5 / USB2_DM	ULPI / USB 2	PTA27	C2 3	ULPI_DATA2 / USB4_DM	ULPI / USB 4	PTA24
D2 4	ULPI_DATA6 / USB2_DP	ULPI / USB 2	PTA28	C2 4	ULPI_DATA3 / USB4_DP	ULPI / USB 4	PTA25
D2 5	ULPI_DATA7	ULPI	PTA29	C2 5	ULPI_DATA4	ULPI	PTA26
D2 6	GND	Power	Ground	C2 6	GND	Power	Ground
D2 7	LCD_HSYNC / LCD_P24	Display	PTF2	C2 7	AN11	ADC	
D2 8	LCD_VSYNC / LCD_P25	Display	PTF3	C2 8	AN10	ADC	
D2 9	AN13	ADC		C2 9	AN9	ADC	
D3 0	AN12	ADC		C3 0	AN8	ADC	
D3 1	GND	Power	Ground	C3 1	GND	Power	Ground
D3 2	LCD_CLK / LCD_P26	Display	PTF0	C3 2	GPIO29	GPIO	
D3 3	TMR11	Timer		C3 3	TMR9	Timer	
D3 4	TMR10	Timer		C3 4	TMR8	Timer	
D3 5	GPIO21	GPIO		C3 5	GPIO30	GPIO	
D3 6	3.3V	Power	3.3V Power	C3 6	3.3V	Power	3.3V Power
D3 7	PWM15	PWM		C3 7	PWM11	PWM	
D3 8	PWM14	PWM		C3 8	PWM10	PWM	
D3 9	PWM13	PWM		C3 9	PWM9	PWM	
D4 0	PWM12	PWM		C4 0	PWM8	PWM	
D4 1	CANRX1	CAN 1		C4 1	RXD2 / TSI0	UART 2 / TSI	
D4 2	CANTX1	CAN 1		C4 2	TXD2 / TSI1	UART 2 / TSI	
D4 3	LCD_CONTRAST	Display	PTC18	C4 3	RTS2 / TSI2	UART 2 / TSI	
D4 4	LCD_OE / LCD_P27	Display	PTF1	C4 4	CTS2 / TSI3	UART 2 / TSI	
D4	LCD_D0 / LCD_P0	Display	PTF4	C4	RXD3 / TSI4	UART 3 /	

5				5		TSI	
D4 6	LCD_D1 / LCD_P1	Display	PTF5	C4 6	TXD3 / TSI5	UART 3 / TSI	
D4 7	LCD_D2 / LCD_P2	Display	PTF6	C4 7	RTS3 / TSI6	UART 3 / TSI	
D4 8	LCD_D3 / LCD_P3	Display	PTF7	C4 8	CTS3 / TSI7	UART 3 / TSI	
D4 9	GND	Power	Ground	C4 9	GND	Power	Ground
D5 0	GPIO23	GPIO		C5 0	LCD_D4 / LCD_P4	Display	PTF8
D5 1	GPIO24	GPIO		C5 1	LCD_D5 / LCD_P5	Display	PTF9
D5 2	LCD_D12 / LCD_P12	Display	PTF16	C5 2	LCD_D6 / LCD_P6	Display	PTF10
D5 3	LCD_D13 / LCD_P13	Display	PTF17	C5 3	LCD_D7 / LCD_P7	Display	PTF11
D5 4	LCD_D14 / LCD_P14	Display	PTF18	C5 4	LCD_D8 / LCD_P8	Display	PTF12
D5 5	IRQ_P / SPI2_CS2_b	Interrupt / SPI 2		C5 5	LCD_D9 / LCD_P9	Display	PTF13
D5 6	IRQ_O / SPI2_CS3_b	Interrupt / SPI 2		C5 6	LCD_D10 / LCD_P10	Display	PTF14
D5 7	IRQ_N	Interrupt	PTB4	C5 7	LCD_D11 / LCD_P11	Display	PTF15
D5 8	IRQ_M	Interrupt	PTB4	C5 8	TMR16	Timer	
D5 9	IRQ_L	Interrupt	PTB5	C5 9	TMR15	Timer	
D6 0	IRQ_K	Interrupt	PTB5	C6 0	TMR14	Timer	
D6 1	IRQ_J	Interrupt	PTB6	C6 1	TMR13	Timer	
D6 2	IRQ_I	Interrupt	PTB7	C6 2	LCD_D15 / LCD_P15	Display	PTF19
D6 3	LCD_D18 / LCD_P18	Display	PTF22	C6 3	LCD_D16 / LCD_P16	Display	PTF20
D6 4	LCD_D19 / LCD_P19	Display	PTF23	C6 4	LCD_D17 / LCD_P17	Display	PTF21
D6 5	GND	Power	Ground	C6 5	GND	Power	Ground
D6 6	EBI_AD20 / LCD_P42	EBI / Display		C6 6	EBI_BE_32_24_b / LCD_P28	EBI / Display	
D6 7	EBI_AD21 / LCD_P43	EBI / Display		C6 7	EBI_BE_23_16_b / LCD_P29	EBI / Display	
D6 8	EBI_AD22 / LCD_P44	EBI / Display		C6 8	EBI_BE_15_8_b / LCD_P30	EBI / Display	
D6 9	EBI_AD23 / LCD_P45	EBI / Display		C6 9	EBI_BE_7_0_b / LCD_P31	EBI / Display	
D7 0	EBI_AD24 / LCD_P46	EBI / Display		C7 0	EBI_TSIZE0 / LCD_P32	EBI / Display	
D7 1	EBI_AD25 / LCD_P47	EBI / Display		C7 1	EBI_TSIZE1 / LCD_P33	EBI / Display	
D7	EBI_AD26 /	EBI /		C7	EBI_TS_b / LCD_P34	EBI /	

2	LCD_P48	Display		2		Display	
D7 3	EBI_AD27 / LCD_P49	EBI / Display		C7 3	EBI_TBST_b / LCD_P35	EBI / Display	
D7 4	EBI_AD28 / LCD_P50	EBI / Display		C7 4	EBI_TA_b / LCD_P36	EBI / Display	
D7 5	EBI_AD29 / LCD_P51	EBI / Display		C7 5	EBI_CS4_b / LCD_P37	EBI / Display	
D7 6	EBI_AD30 / LCD_P52	EBI / Display		C7 6	EBI_CS3_b / LCD_P38	EBI / Display	
D7 7	EBI_AD31 / LCD_P53	EBI / Display		C7 7	EBI_CS2_b / LCD_P39	EBI / Display	
D7 8	LCD_D20 / LCD_P20	Display	PTF24	C7 8	EBI_CS1_b / LCD_P40	EBI / Display	
D7 9	LCD_D21 / LCD_P21	Display	PTF25	C7 9	GPIO31 / LCD_P41	GPIO	
D8 0	LCD_D22 / LCD_P22	Display	PTF26	C8 0	LCD_D23 / LCD_P23	Display	PTF27
D8 1	GND	Power	Ground	C8 1	GND	Power	Ground
D8 2	3.3V	Power	3.3V Power	C8 2	3.3V	Power	3.3V Power