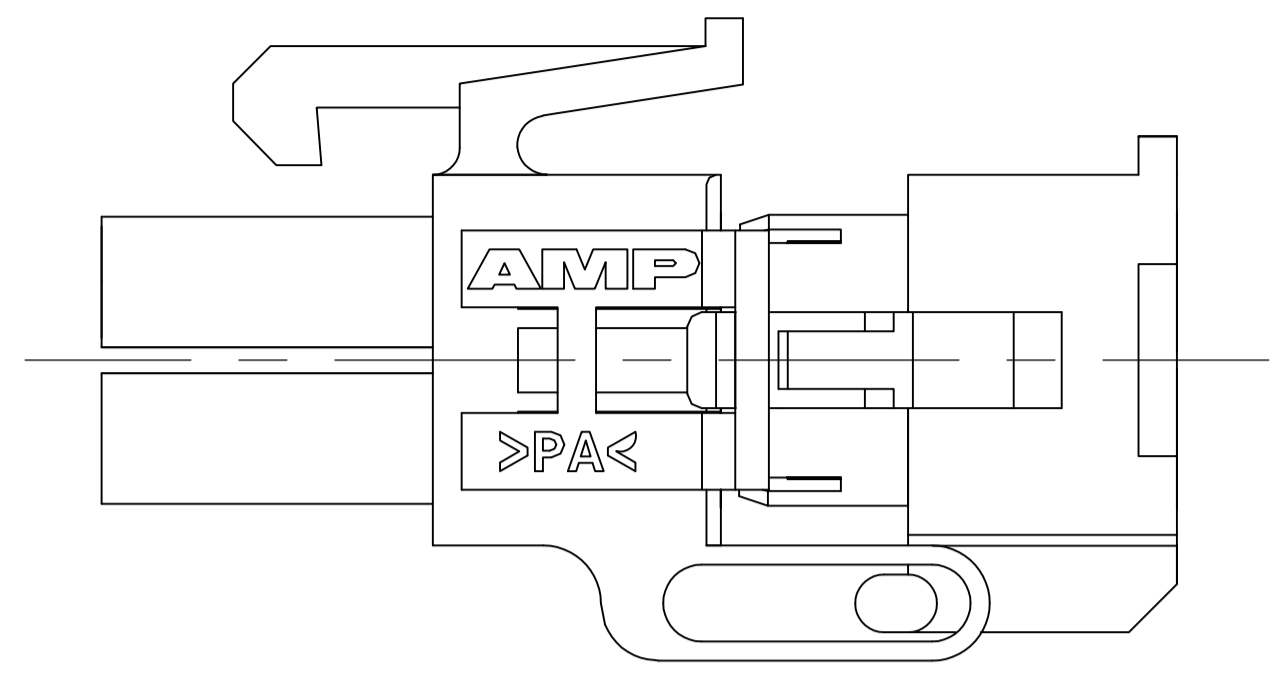
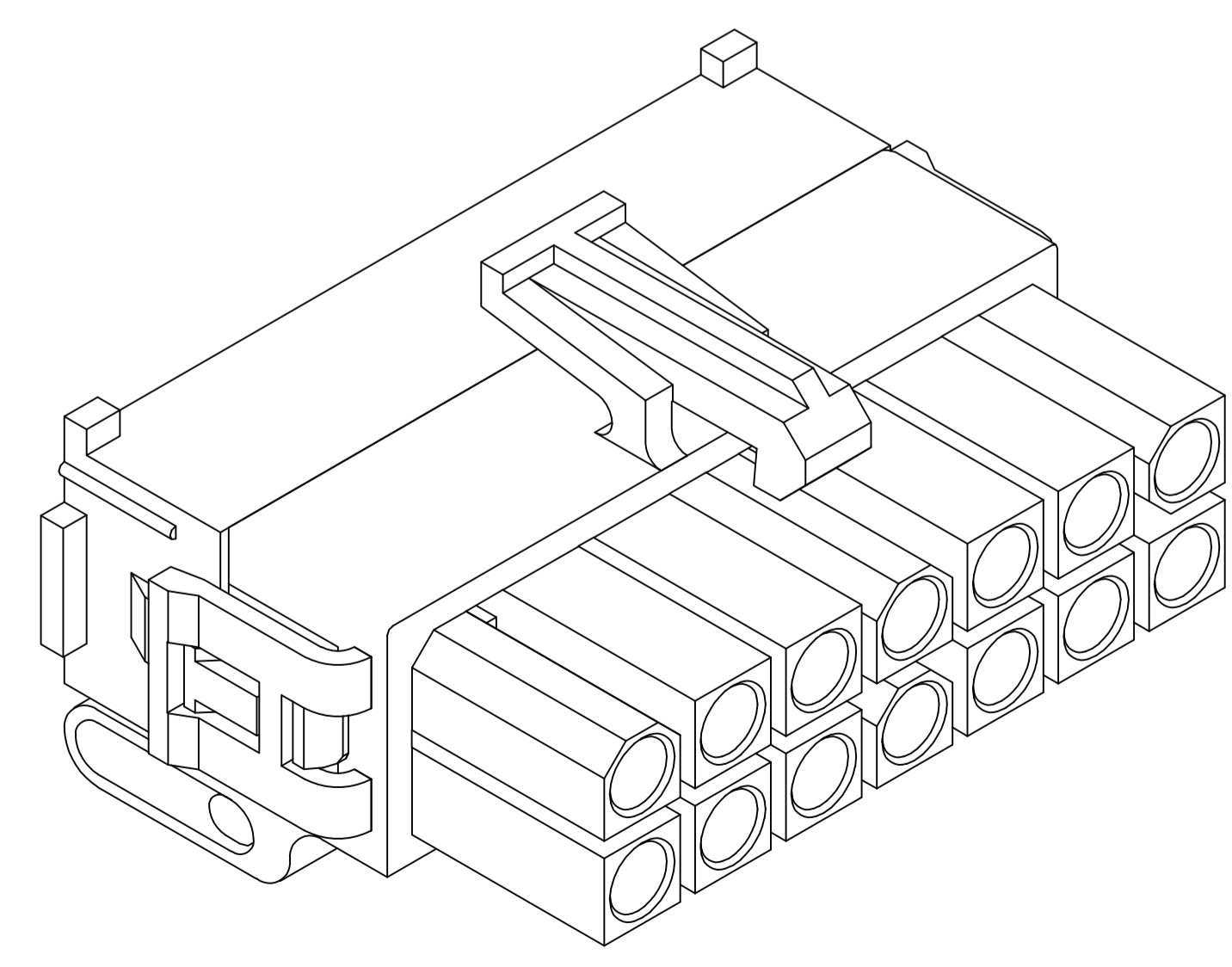
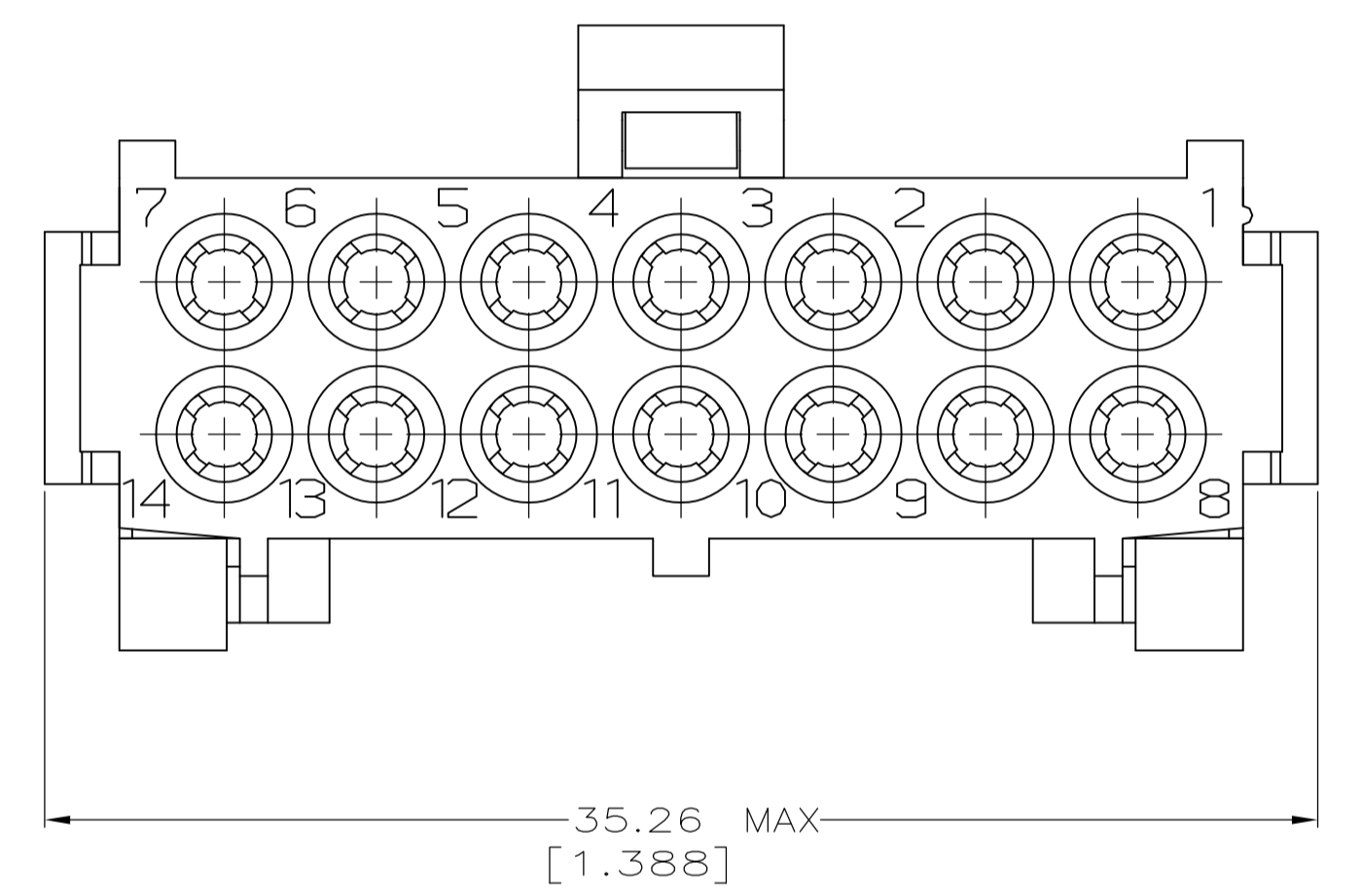
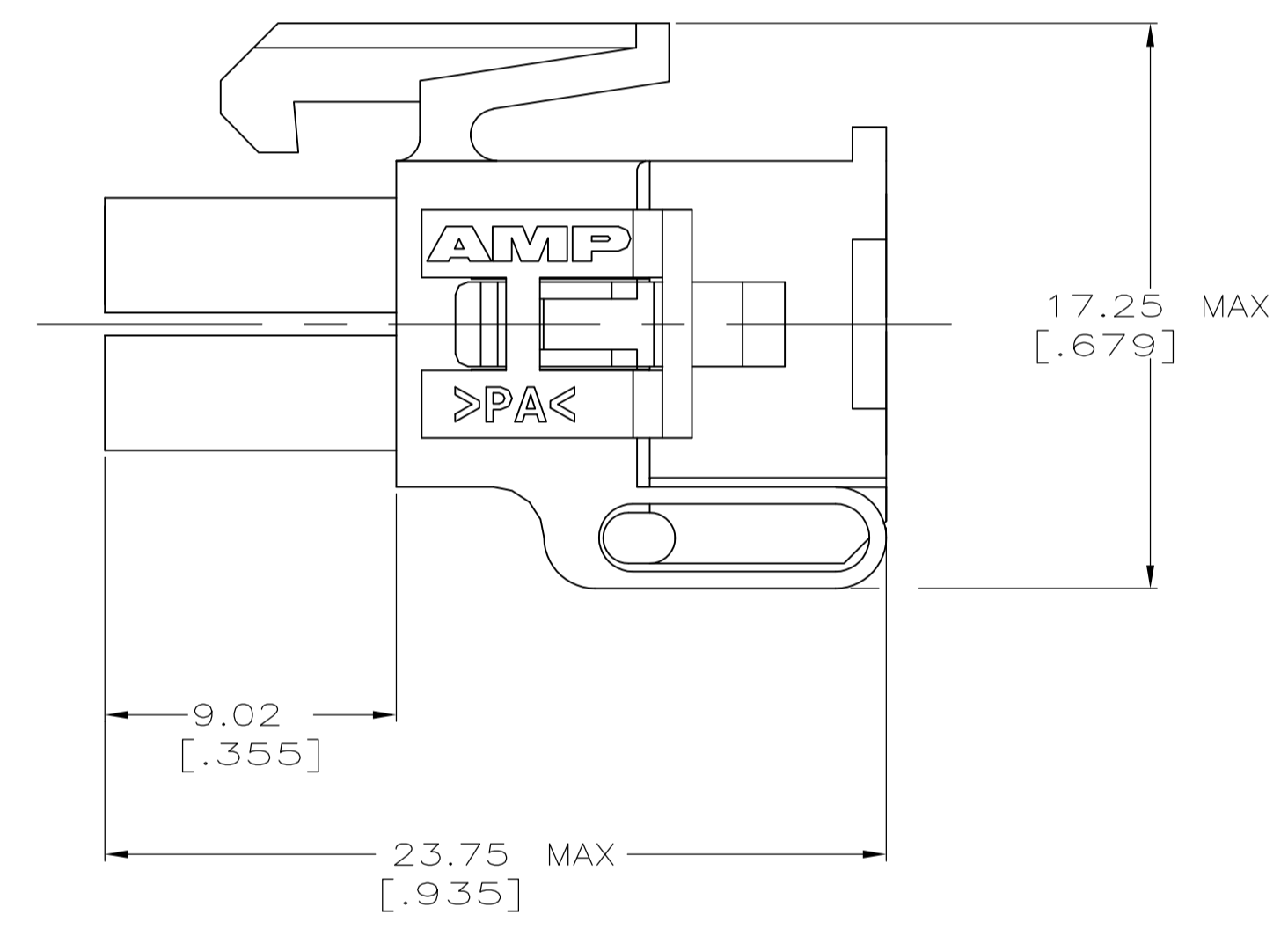
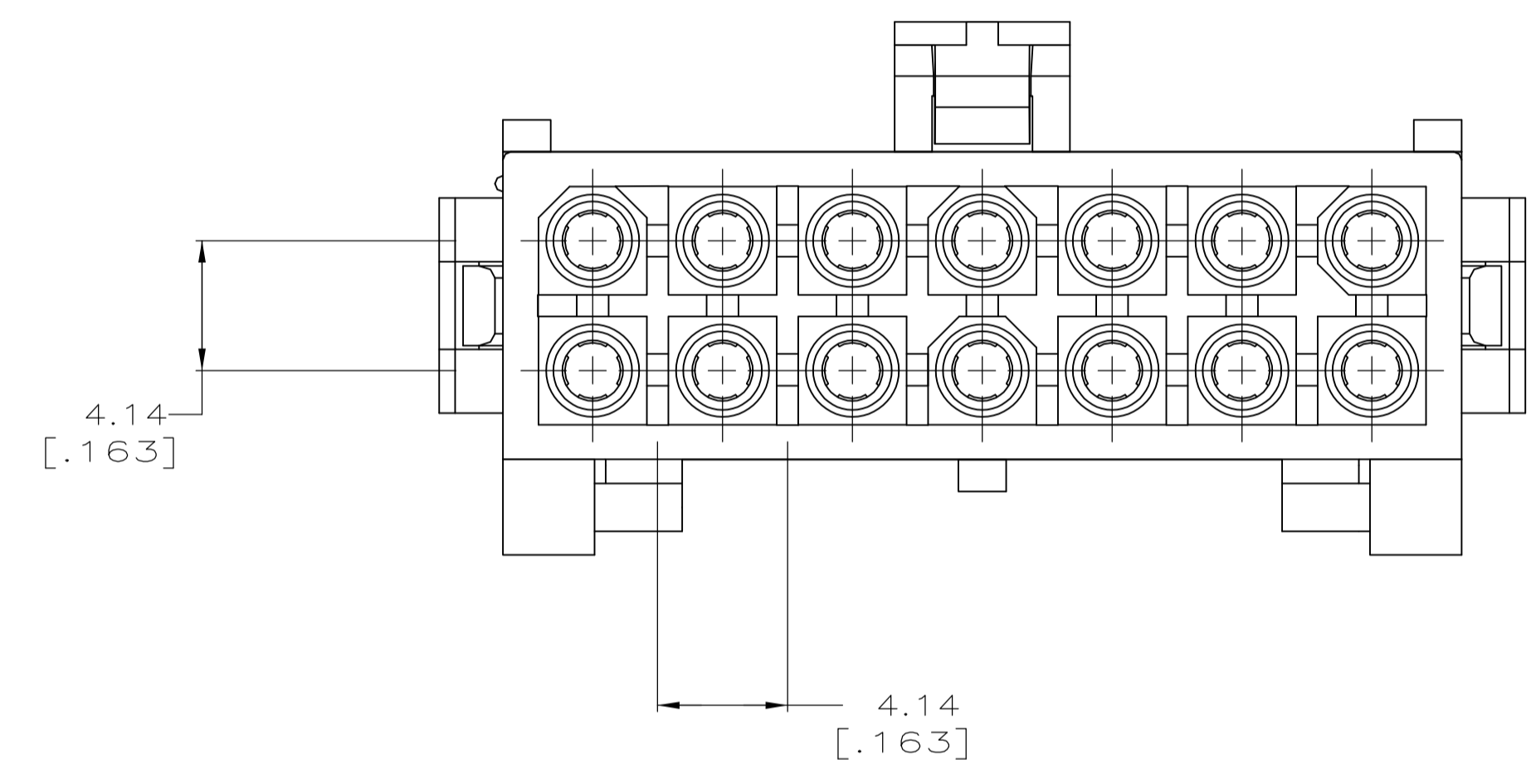


LOC		DIST		REVISIONS			
P	LTR	DESCRIPTION	DATE	DWN	APVD		
C1		REVISED PER ECO-10-025344	23FEB11	JR	TM		

1 DIMENSIONS IN BRACKETS ARE IN INCHES.



PRE-STAGED CONDITION



3-DIMENSIONAL MODEL  
NTS

794202-1  
PART NUMBER

METRIC

THIS DRAWING IS A CONTROLLED DOCUMENT.		DIN K. WHITAKER 5-16-97	Tyco Electronics Corporation Harrisburg, PA 17105-3608
		CHK R. SWING 5-16-97	
DIMENSIONS: mm		APP'D R. ORSTAD 5-16-97	NAME PLUG, 14 CIRCUIT, MINI UNIVERSAL MATE-N-LOK™ 2
TOLERANCES UNLESS OTHERWISE SPECIFIED:		PRODUCT SPEC	APPLICATION SPEC
0. PLC	± -	APPLIC. SPEC	RESTRICTED TO
1. PLC	± -	SIZE	A1
2. PLC	± -	WEIGHT	00779
3. PLC	± 0.13 [0.005]	CAGE CODE	794202
4. PLC	± -	DRAWING NO	794202
ANGLES	± -	SCALE	5:1
MATERIAL NYLON, UL94V-0, NATURAL	FINISH -	CUSTOMER DRAWING	SHEET 1 OF 1