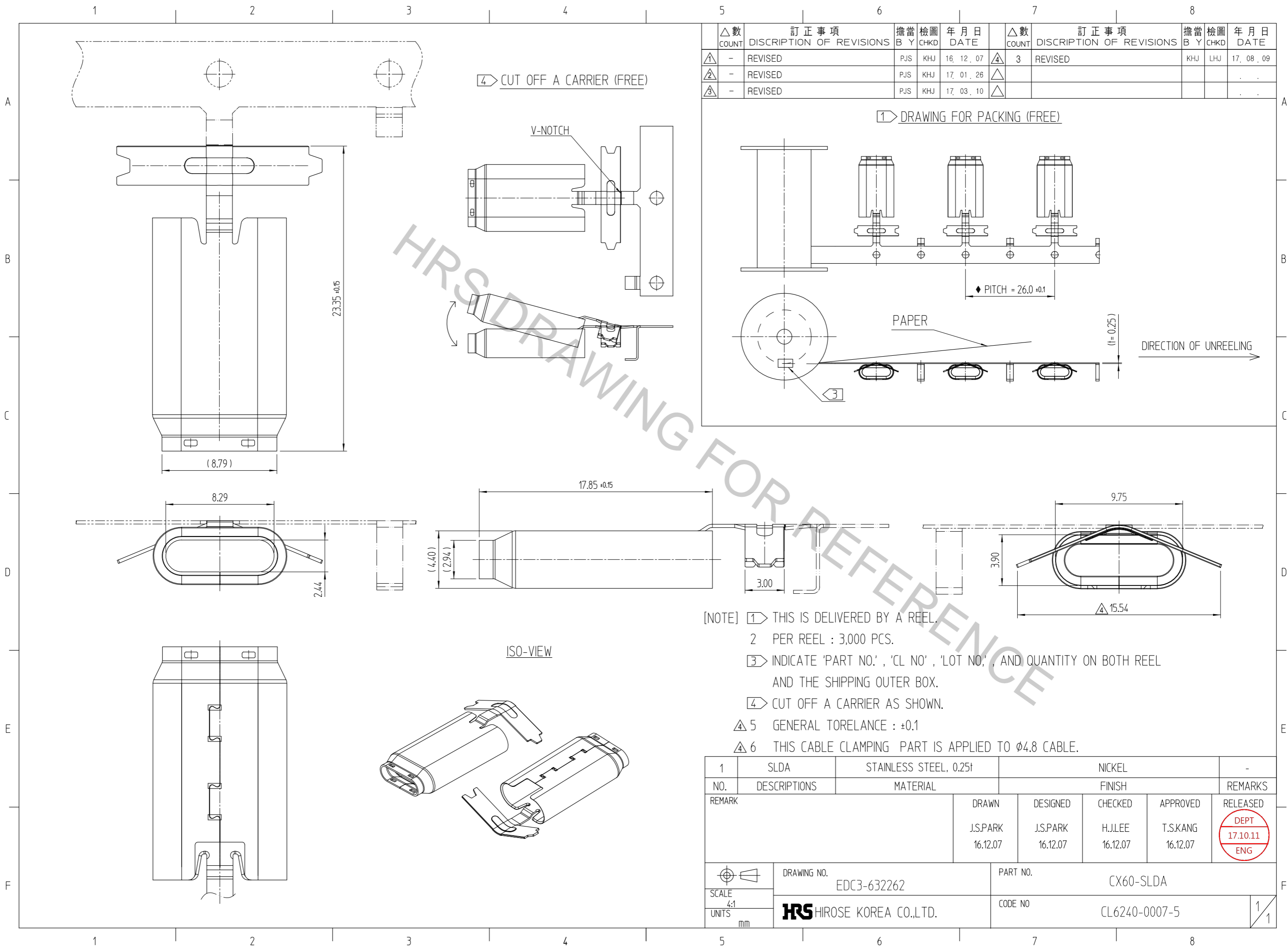
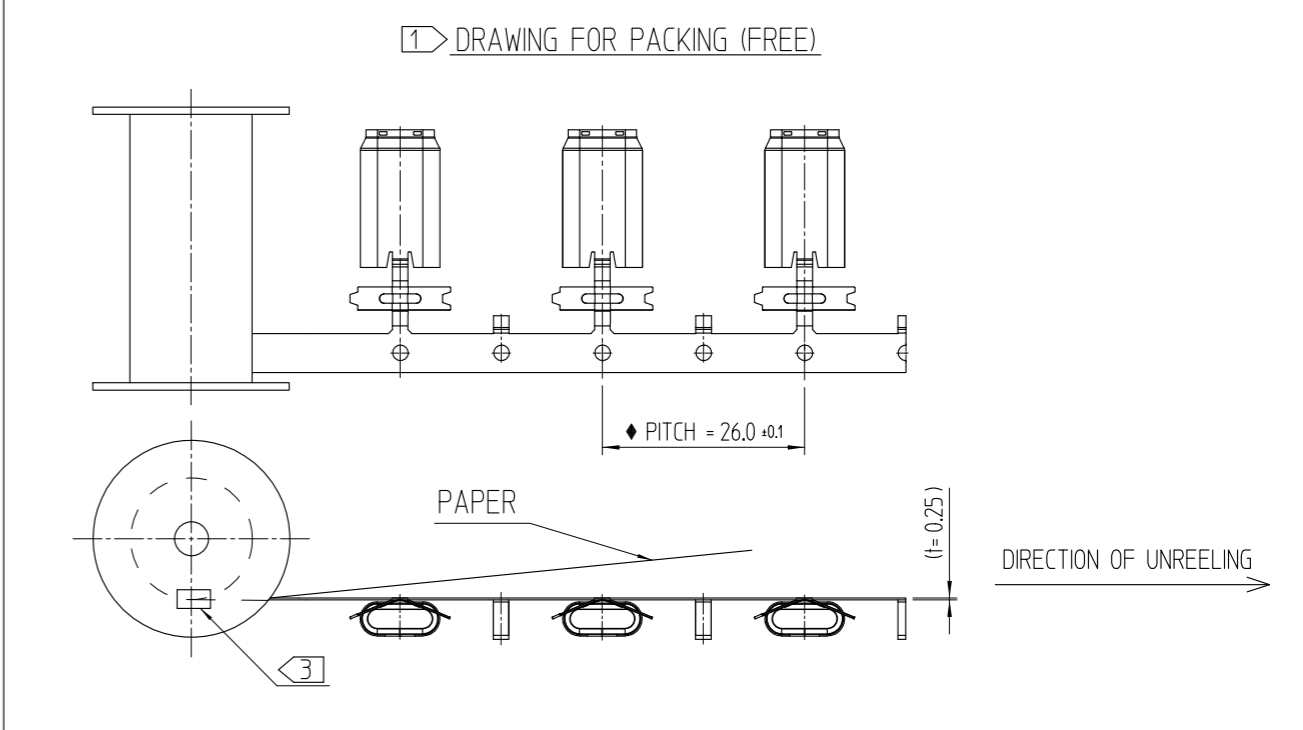


Oct.1.2018 Copyright 2018 HIROSE ELECTRIC CO., LTD. All Rights Reserved.
 In case that the application demands a high level of reliability, such as automotive,
 please contact a company representative for further information.



| △數 COUNT | 訂正事項 DISCRPTION OF REVISIONS | 擔當 B Y | 檢圖 CHKD | 年月日 DATE | △數 COUNT | 訂正事項 DISCRPTION OF REVISIONS | 擔當 B Y | 檢圖 CHKD | 年月日 DATE |
|-------------|---------------------------------|-----------|------------|-------------|-------------|---------------------------------|-----------|------------|-------------|
| ① | - REVISED | PJS | KHJ | 16. 12. 07 | ④ | 3 REVISED | KHJ | LHJ | 17. 08. 09 |
| ② | - REVISED | PJS | KHJ | 17. 01. 26 | △ | | | | |
| ③ | - REVISED | PJS | KHJ | 17. 03. 10 | △ | | | | |



[NOTE] ① THIS IS DELIVERED BY A REEL.
 ② PER REEL : 3,000 PCS.
 ③ INDICATE 'PART NO.', 'CL NO.', 'LOT NO.', AND QUANTITY ON BOTH REEL
 AND THE SHIPPING OUTER BOX.
 ④ CUT OFF A CARRIER AS SHOWN.
 △ 5 GENERAL TORELANCE : ±0.1
 △ 6 THIS CABLE CLAMPING PART IS APPLIED TO φ4.8 CABLE.

| 1 | SLDA | STAINLESS STEEL, 0.25t | NICKEL | | | - | |
|-------------|--------------|------------------------|-----------------------|----------------------|---------------------|----------------------|-------------------------|
| NO. | DESCRIPTIONS | MATERIAL | FINISH | | | REMARKS | |
| REMARK | | | DRAWN | DESIGNED | CHECKED | APPROVED | RELEASED |
| | | | J.S.PARK 16.12.07 | J.S.PARK 16.12.07 | H.J.LEE 16.12.07 | T.S.KANG 16.12.07 | DEPT 17.10.11 ENG |
| DRAWING NO. | EDC3-632262 | | PART NO. | | CX60-SLDA | | |
| SCALE | 4:1 | | CODE NO | | CL6240-0007-5 | | 1/1 |
| UNITS | mm | | HIROSE KOREA CO.,LTD. | | | | |