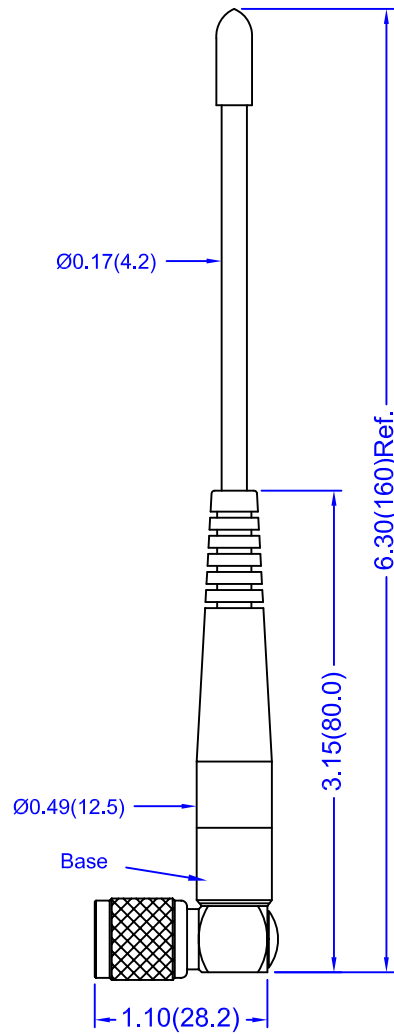


SMA type
Connector



TNC plug
Connector

Electrical Properties:

Frequency Range: 867~869MHz
 Impedance: 50Ω nominal
 VSWR: <2.0:1
 Gain: 2.5 dBi
 Radiation: Omni
 Polarization: Vertical
 Wave: ½wave loaded

Mechanical Properties:

Material:
 Whip: Wire (Black)
 Base: Polyacetal(Black)
 Connector: Brass with nickel
 plating(Black)
 Operation Temp.: -20°C to +65°C
 Storage Temp.: -30°C to +75°C

This is a RoHS compliant product.

Connector Code -XX-	Description	P / N
AM	SMA Plug	S161AM-868R
AH	SMA Plug Reverse Polarity	S161AH-868R
TC	TNC Plug	S161TC-868R
BC	BNC Plug	S161BC-868R

Series Part Numbers

TITLE	EURO ISM Band Right Angle Antenna -161 Model		Rev. Date	SHEET
			11/02/11	1 OF 1
UNIT	DWG. NO.	S161XX-868R		
in.(mm)				
SCALE				
none				

NEARSON