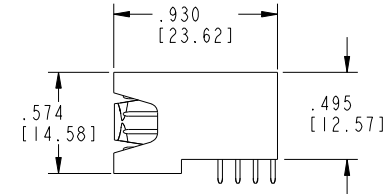
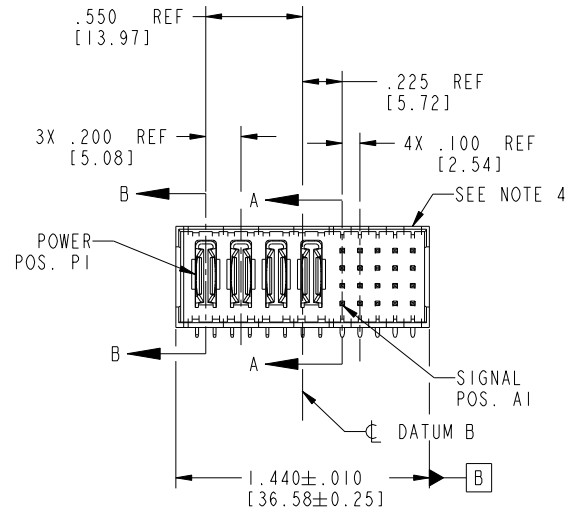


Tous droits strictement réservés. Reproduction ou communication à des tiers interdite sous quelque forme que ce soit sans autorisation écrite du propriétaire. Propriété de c.FCI. Droits de reproduction FCI.



All rights strictly reserved. Reproduction or issue to third parties in any form whatever is not permitted without written authority from the proprietor. Property of FCI. Copyright FCI.

PRODUCT NO. 51939-096 Note: ③	ROWS D C B A	POWER				SIGNAL				
		P1	P2	P3	P4	1	2	3	4	5
		PA	PA	PA	PA	UUUUU	TTTTT	TTTTT	TTTTT	TTTTT



CODE	DIM "M" MATING LENGTH	CONTACT TYPE
R	.270 [6.86]	SIGNAL
S	.270 [6.86]	SIGNAL
T	.270 [6.86]	SIGNAL
U	.270 [6.86]	SIGNAL
PA	N/A [N/A]	POWER

mat'l code				SEE NOTE 2		tolerances unless otherwise specified		CUSTOMER		FCI	
lfr	ecn no.	dr	date	linear	.XX±.01/0.X±0.3	projection	COPY	www.fciconnect.com			
A	V03-1260	TAB	11/25/03		.XXX±.005/0.XX±0.13	INCH/MM	title	4P + 20S			
B	DG05-0181	SJ	06/21/05	angles	.XXX±.002/0.XXX±0.051	scale	RIGHT ANGLE SOLDER HEADER				
C	DG06-0014	JMG	01/16/06		0°±2°	1:1	product family	PwrBlade	code	213	
D	DG09-0003	WD	01/17/09	dr	T. BRUNGARD 11/25/03		size	dwg no	sheet	1 of 4	
				engr	M. GRAY 11/25/03		51939-096				
				chr	M. GRAY 11/25/03						
				appd	M. GRAY 11/25/03						
sheet index	revision sheet	D	D	D	D						
		1	2	3	4						

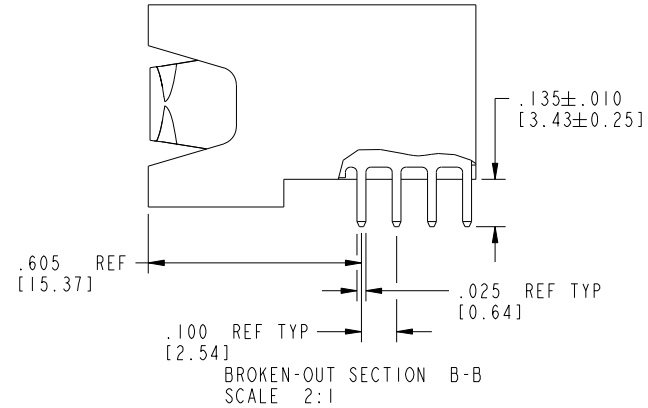
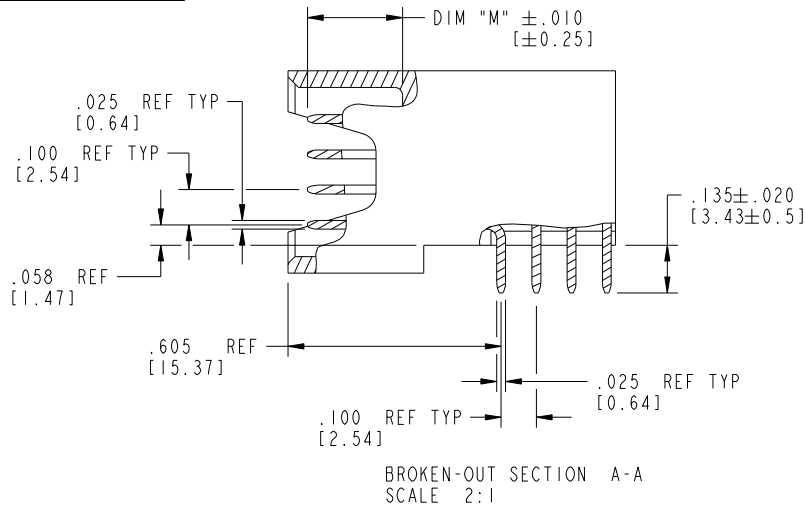
cage code 22526

Tous droits strictement reserves. Reproduction ou communication a des tiers interdite sous quelque forme que ce soit sans autorisation ecrite du propriétaire. Propriete de c FCI. Droits de reproduction FCI.



All rights strictly reserved. Reproduction or issue to third parties in any form whatsoever is not permitted without written authority from the proprietor. Property of FCI. Copyright FCI.

PRODUCT NUMBER  
51939-096\_\_  
Note: ③



mat'l code				SEE NOTE 2	tolerances unless otherwise specified		CUSTOMER		 www.fciconnect.com	
ltr	ecn no.	dr	date	linear	.XX±.01/0.X±0.3	projection	COPY		title	
D					.XXX±.005/0.XX±0.13				4P + 20S	
				angles	.XXX±.0020/0.XXX±0.051				RIGHT ANGLE SOLDER HEADER	
				dr	0°±2°	INCH/MM	product family		PwrBlade	code
				enr	T. BRUNGARD 11/25/03	scale	size		dwg no	213
				chr	M. GRAY 11/25/03	1:1	A		51939-096	sheet
				appd	M. GRAY 11/25/03					2 of 4
sheet index	revision sheet									

cage code 22526

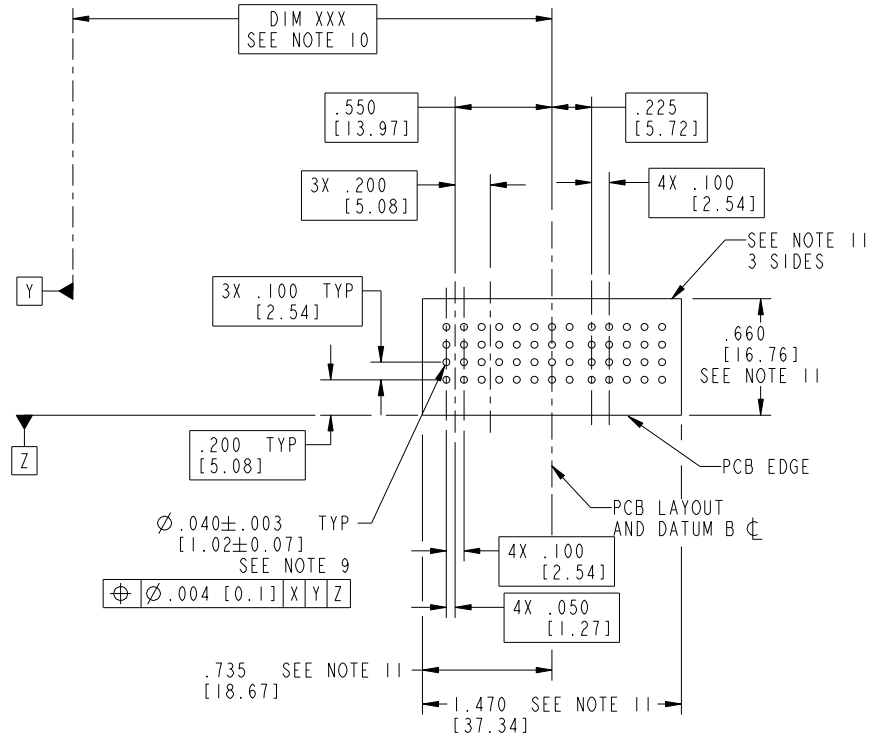
Pro/E

Tous droits strictement reserves. Reproduction ou communication a des tiers interdite sous quelque forme que ce soit sans autorisation écrite du propriétaire. Propriete de c FCI. Droits de reproduction FCI.



All rights strictly reserved. Reproduction or issue to third parties in any form whatever is not permitted without written authority from the proprietor. Property of FCI. Copyright FCI.

PRODUCT NUMBER  
51939-096\_\_  
Note: ③



RECOMMENDED PCB LAYOUT

mat'l code		SEE NOTE 2		tolerances unless otherwise specified		CUSTOMER		 www.fciconnect.com	
ltr	ecn no.	dr	date	linear	.XX±.01/0.X±0.3	COPY		title	
D					.XXX±.005/0.XX±0.13	projection		4P + 20S	
				angles	.XXX±.0020/0.XXX±0.051			RIGHT ANGLE SOLDER HEADER	
				dr	0°+2°	INCH/MM		product family	
				enr	T. BRUNGARD 11/25/03	scale		PwrBlade	
				chr	M. GRAY 11/25/03	1:1		code	
				appd	M. GRAY 11/25/03	A		213	
sheet index		revision sheet				size		dwg no	
						A		51939-096	
								sheet	
								3 of 4	

cage code 22526

Pro/E

Tous droits strictement reserves. Reproduction ou communication a des tiers interdite sous quelque forme que ce soit sans autorisation écrite du propriétaire. Propriete de c FCI. Droits de reproduction FCI.



All rights strictly reserved. Reproduction or issue to third parties in any form whatever is not permitted without written authority from the proprietor. Property of FCI. Copyright FCI.

PRODUCT NUMBER
51939-096__
Note: ③

NOTES:

1. DIMENSIONS AND TOLERANCES ARE IN ACCORDANCE WITH ASME Y14.5M, 1994 UNLESS OTHERWISE SPECIFIED.

CONNECTOR NOTES:

2. HOUSING MATERIAL: UL 94 V-0 GLASS FILLED HIGH-TEMP THERMOPLASTIC  
 POWER CONTACT MATERIAL: COPPER ALLOY  
 SIGNAL PIN MATERIAL: COPPER ALLOY

③ 3. SEE ITEM 1 & 2 IN PRINT 10064183 FOR PLATING SPEC OF 51939-096 AND 51939-096LF RESPECTIVELY.

4. MANUFACTURER'S NAME, P/N, AND DATE CODE TO APPEAR ON THIS SURFACE.

5. PRODUCT SPECIFICATION GS-12-149.  
 APPLICATION SPECIFICATION BUS-20-067.

6. PACKAGED IN TRAYS.

PCB NOTES:

7. ALL HOLE DIAMETERS ARE FINISHED HOLE SIZE.

8. MOUNTING HOLES, WHERE APPLICABLE, ARE UNPLATED.

9.  $\varnothing .0453 \pm .0010$  [1.151  $\pm$  0.025] DRILLED HOLES PLATED WITH  
 .0003 [0.008] MIN SnPb OVER .001 [0.03]  
 TO .003 [0.08] Cu PLATING TO ACHIEVE  
 $\varnothing .040 \pm .003$  [1.02  $\pm$  .07] HOLE.

10. "DIM XXX" TO BE DETERMINED BY THE CUSTOMER.

11. CONNECTOR KEEP-OUT ZONE.

12. A ③ SYMBOL WILL BE NEXT TO ANY DIMENSION, VIEW, OR NOTE WHICH HAS BEEN MODIFIED WITH THE CURRENT DRAWING REVISION.

mat'l code		SEE NOTE 2		tolerances unless otherwise specified		CUSTOMER		 www.fciconnect.com	
ltr	ecn no.	dr	date	linear	.XX±.01/0.X±0.3	COPY		title	
D					.XXX±.005/0.XX±0.13	projection		4P + 20S	
				angles	.XXX±.002/0.XXX±0.051			RIGHT ANGLE SOLDER HEADER	
					0° + 2°	INCH/MM		product family	
				dr	T. BRUNGARD 11/25/03	scale		PwrBlade	
				enrg	M. GRAY 11/25/03	1:1		code	
				chr	M. GRAY 11/25/03	A		213	
				appd	M. GRAY 11/25/03	51939-096		sheet	
sheet index		revision sheet						4 of 4	

cage code 22526