

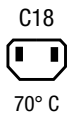
IEC Appliance Inlet C14 or C18 with Fuseholder 2-pole, Line Switch 1- or 2-pole

Plug removal necessary for fuse replacement



Order required accessories separately KM with shield

Snap-in version



### Description

- Panel Mount :  
Snap-in version from front side
- 3 Functions :  
Appliance Inlet protection class I or II , Line Switch 2-pole , Fuseholder for fuse-links 5 x 20 mm 1- or 2-pole
- Quick connect terminals 4.8 x 0.8 mm
- With cover on rear-side

### Approvals

- VDE Certificate Number: 40021981
- UL File Number: E93617

### Characteristics

- Ultra-compact design. Small dimensions in front of and behind the panel
- All single elements are already wired
- For added safety "Extra-Safe" fuse drawers are available
- Ideal for application with high transient loads
- Suitable for use in equipment according to IEC/UL 60950

### Other versions on request

- Fuse drawer 1-pole, plus spare fuse case
- Fuse drawer 2-pole, with shorting bar
- Line switch 1-pole
- Other rocker marking

### References

Alternative: version with line filter [KMF](#)  
Alternative: version for screw mounting [DD11](#)

### Weblinks

[pdf datasheet](#), [html-datasheet](#), [General Product Information](#), [RoHS](#), [CHINA-RoHS](#), [REACH](#), [Distributor-Stock-Check](#), [Accessories](#), [Detailed request for product](#)

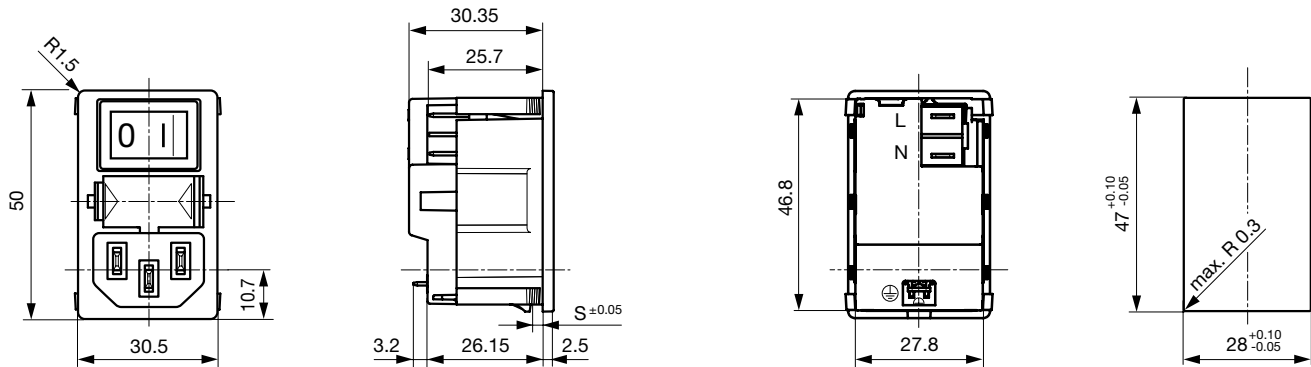
### Technical Data

|                                 |   |                                   |  |
|---------------------------------|---|-----------------------------------|--|
| Ratings IEC                     | 10A / 250VAC; 50Hz  | appliance inlet/-outlet           | C14 acc. to IEC 60320-1, UL 498, CSA C22.2 no. 42 (for cold conditions) pin-temperature 70 °C, 10A, Protection Class I or II   |
| Ratings UL/CSA                  | 10A / 250VAC; 60Hz  | Fuseholder                        | 1 or 2 pole, Shocksafe category PC2 acc. to IEC 60127-6, for fuse-links 5 x 20mm   |
| Dielectric Strength             | > 2.5kVAC between L-N<br>> 3kVAC between L/N-PE<br>(1 min/50Hz)         | Rated Power Acceptance @ Ta 23 °C | 5 x 20: 2W (1 pole)/ 1.4W (2-pole) per pole<br>Choose fuse-links for 2-pole version in such a way that the typical power acceptance is less than 1.4 W for each pole |
| Allowable Operation Temperature | -25 °C to 70 °C   | Power Acceptance @ Ta > 23°C      | Admissible power acceptance at higher ambient temperature see derating curves  |
| IP-Protection                   | from front side IP 40 acc. to IEC 60529                                 | Line Switch                       | Rocker switch 2-pole, non-illuminated, acc. to IEC 61058-1<br><a href="#">Technical Details</a>  |
| Insulation cover                | Suitable for appliances with protection class I or II acc. to IEC 61140 |                                   |  |
| Terminal                        | Quick connect terminals 4.8 x 0.8 mm, tin-plated                        |                                   |  |
| Panel Thickness s               | Snap-in: 1/1.5/2/2.5 mm (all steps with one variant)                    |                                   |  |
| Material: Housing               | Thermoplastic, black, UL 94V-0  |                                   |  |

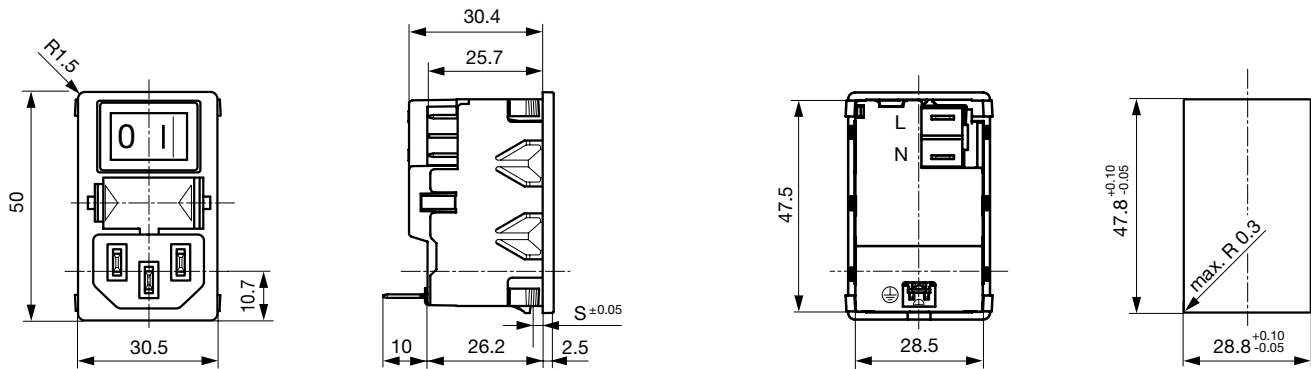
Detailed information on product approvals, code requirements, usage instructions and detailed test conditions can be looked up in [General Product Information](#)

**Dimensions**

KM without shield

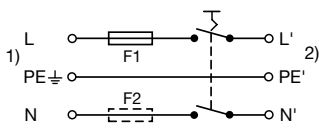


KM with shield



**Diagrams**

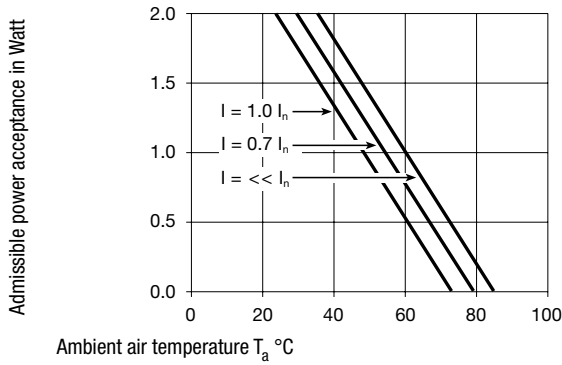
with shield



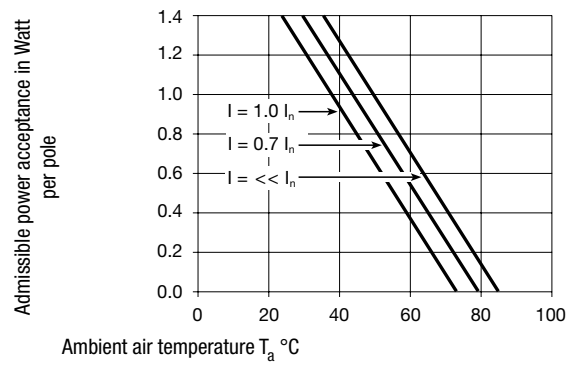
- 1) Line
- 2) Load

Derating Curves

1-pole



2-pole



All Variants

| Protection Class | Fuseholder | Line Switch | EMC-Shielding                           | Order Number |
|------------------|------------|-------------|---|--------------|
| I                | 1-pole     | 2-pole      | -                                       | KM00.1205.11 |
| I                | 2-pole     | 2-pole      | -                                       | KM00.1105.11 |
| II               | 2-pole     | 2-pole      | -                                       | KM00.2105.11 |
| I                | 1-pole     | 2-pole      | With EMC-shield and without line filter | KM01.1205.11 |
| I                | 2-pole     | 2-pole      | With EMC-shield and without line filter | KM01.1105.11 |

Most Popular.

Availability for all products can be searched real-time: <http://www.schurter.com/en/Stock-Check/Stock-Check-SCHURTER>

Packaging unit 50 Pcs

Required Accessory

Description

Fusedrawer 2  
Fusedrawer für Fuse Links 5x20 mm, with or without Voltage Selector Insert



|                    |           |
|--------------------|-----------|
| Fingergrip, 2-pole | 4301.1401 |
| Extra-Safe, 2-pole | 4301.1403 |
| Fingergrip, 1-pole | 4301.1405 |
| Extra-Safe, 1-pole | 4301.1407 |

...

Accessories



**Wire Harness**  
Wire harness for SCHURTER products



**Cord retaining kits**  
Cord retaining strain relief

|              |           |
|--------------|-----------|
| Flat head, A | 4700.0001 |
|--------------|-----------|

Mating Outlets/Connectors

Category / Description

[Appliance Outlet Overview complete](#)



|   |      |
|---|------|
| IEC Appliance Outlet F, Screw-on Mounting, Front Side, Solder Terminal                            | 4787 |
| IEC Appliance Outlet F, Snap-in Mounting, Front Side, Solder or Quick-connect Terminal            | 4788 |
| IEC Appliance Outlet F or H, Screw-on Mounting, Front Side, Solder, PCB or Quick-connect Terminal | 5091 |

[Appliance Outlet further types to KM](#)

[Connector Overview complete](#)



|  |         |
|--|---------|
| 4782 Mounting: Power Cord, 3 x 1 mm <sup>2</sup> / 3 x 18 AWG, Cable, Connector: IEC C13     | 4782    |
| 4022 Mounting: Power Supply Cord, 3 x 1.5 mm <sup>2</sup> , Screw clamps, Connector: IEC C13 | 4022    |
| 4785 Mounting: Power Cord, 3 x 1 mm <sup>2</sup> / 3 x 18 AWG, Cable, Connector: IEC C13     | 4785    |
| 4300-06 Mounting: Power Cord, 3 x 1 mm <sup>2</sup> / 3 x 18 AWG, Cable, Connector: IEC C13  | 4300-06 |
| 4012 Mounting: Power Supply Cord, 3 x 1.5 mm <sup>2</sup> , Screw clamps, Connector: IEC C13 | 4012    |

[Connector further types to KM](#)

...