

Customer Information Sheet

DRAWING No.: Z9950-00

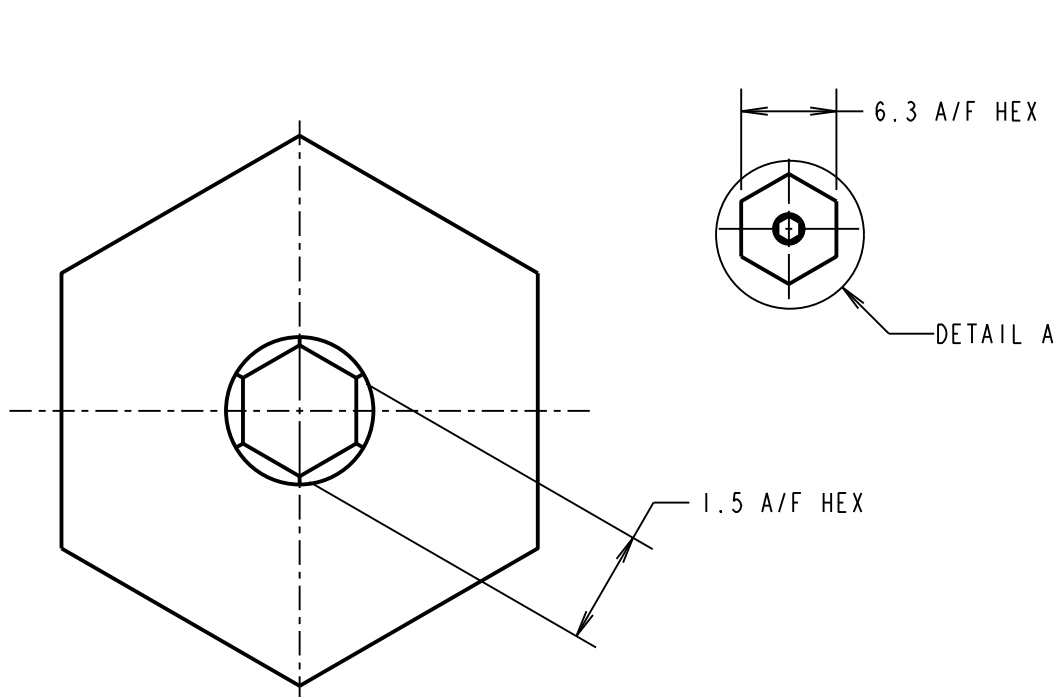
IF IN DOUBT - ASK

©

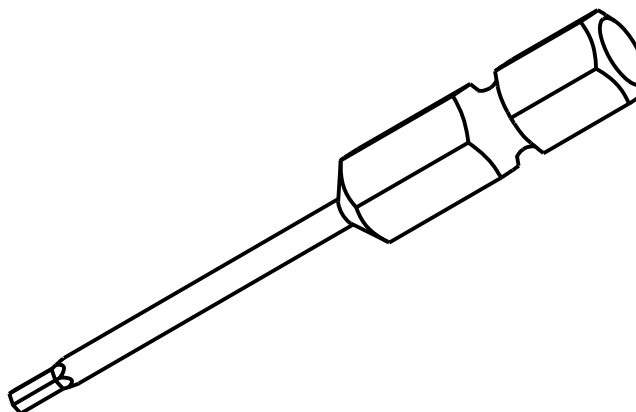
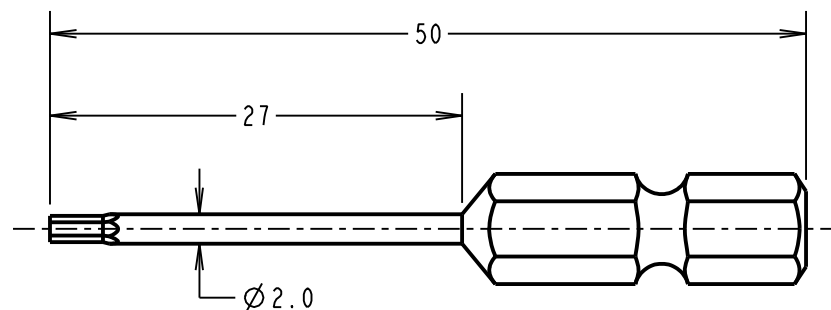
NOT TO SCALE

THIRD ANGLE PROJECTION

ALL DIMENSIONS IN mm



DETAIL A (SCALE 10)



NOTE:
1. FOR USE WITH DATAMATE J-TEK AND MIX-TEK BOARD MOUNT SCREWS AND GECKO-SL HEX LOCKING SCREWS.

MGP	1	11.01.17	----
NAME	ISS.	DATE	C/NOTE
APPROVED: MGP			
CHECKED: MSP			
DRAWN: MARK G PLESTED			
CUSTOMER REF.:			
ASSEMBLY DRG:			

HARWIN

www.harwin.com
technical@harwin.com

THIS DRAWING AND ANY INFORMATION OR DESCRIPTIVE MATTER SET OUT HEREON ARE CONFIDENTIAL AND COPYRIGHT PROPERTY OF THE HARWIN GROUP AND MUST NOT BE DISCLOSED, LOANED, COPIED OR USED FOR MANUFACTURING, TENDERING OR FOR ANY OTHER PURPOSE WITHOUT THEIR WRITTEN PERMISSION.

TOLERANCES
X. = ±1mm
X.X = ±0.50mm
X.XX = ±0.10mm
X.XXX = ±0.01mm
ANGLES = ±5°
UNLESS STATED

MATERIAL:

STEEL

FINISH:

S/AREA:

mm²

TITLE:

HEX DRIVE BIT
1.5mm x 50mm

DRAWING NUMBER:

Z9950-00

SHT
2 OF 2