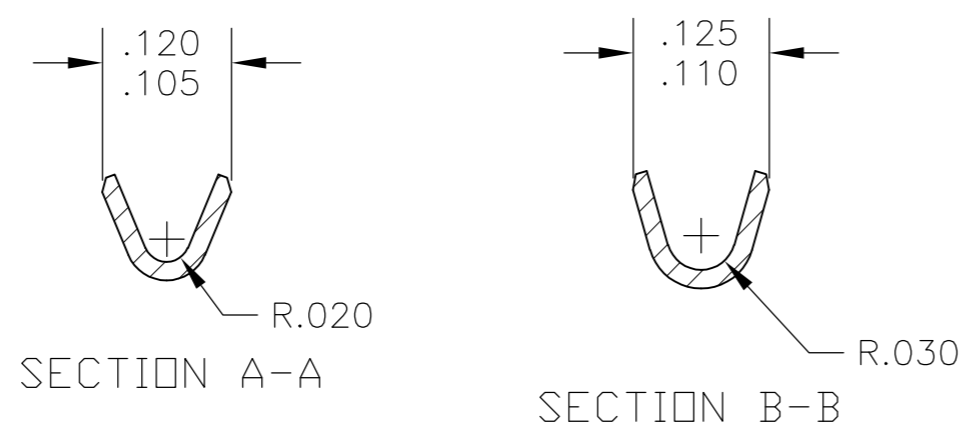
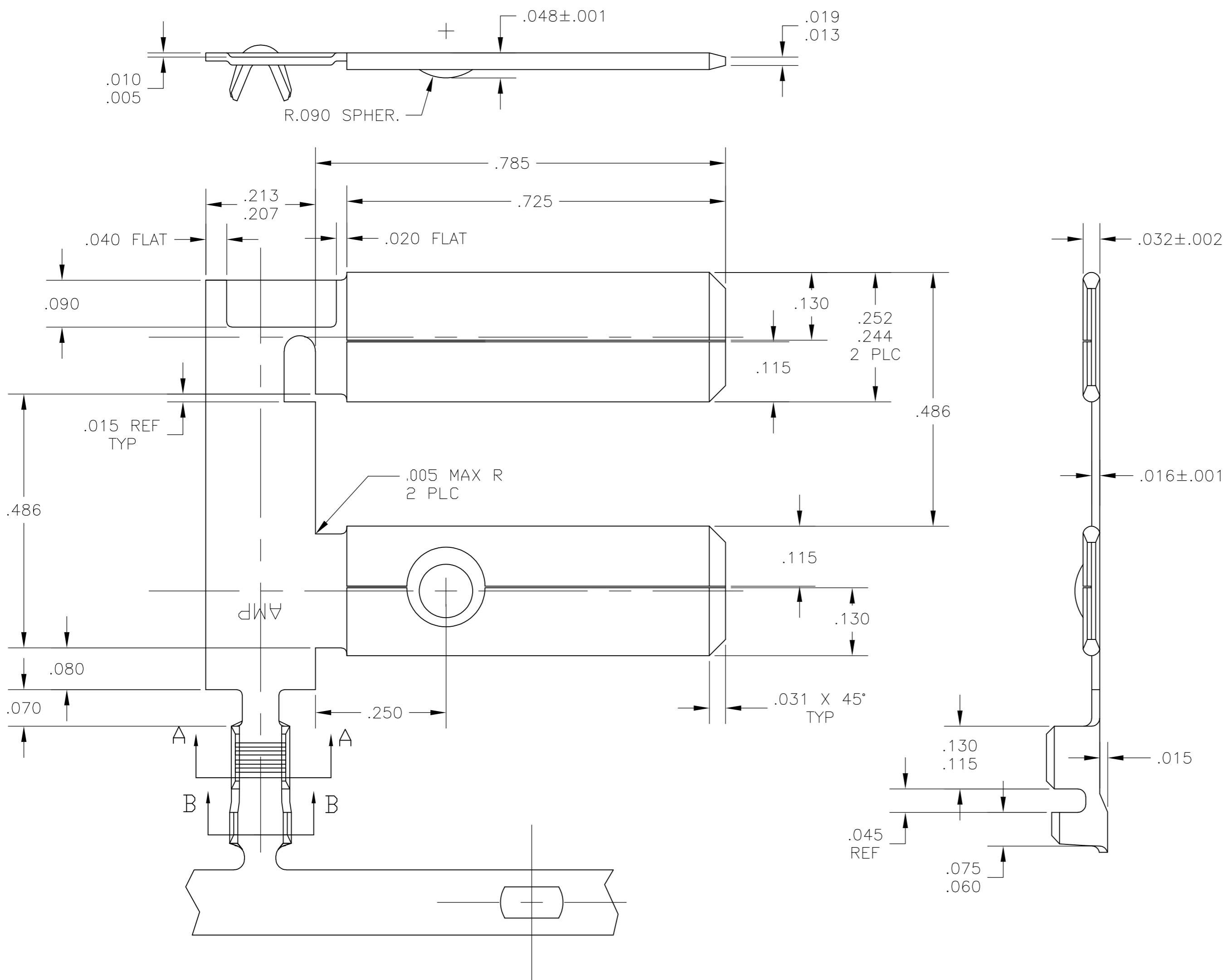


THIS DRAWING IS UNPUBLISHED. RELEASED FOR PUBLICATION  
 © COPYRIGHT BY TYCO ELECTRONICS CORPORATION. ALL INTERNATIONAL RIGHTS RESERVED.

LOC	DIST	REVISIONS					
AF	50	P	LTR	DESCRIPTION	DATE	DWN	APVD
		D1		REDRAWN PER ECR 09-024892	18NOV09	JR	SM

- 1 WIRE SIZE IS #22-#20 AWG
- 2 INSULATION RANGE DIA IS .070 MAX
- 3 REVERSE REELED OF 505081-1



3	505081-2
	505081-1
	PART NO

THIS DRAWING IS A CONTROLLED DOCUMENT.		DWN	jr ruth	18NOV09	Tyco Electronics Corporation Harrisburg, PA 17105-3608
DIMENSIONS: MM [ INCHES ]		CHK	SAM MACE	18NOV09	
TOLERANCES UNLESS OTHERWISE SPECIFIED:		APVD	SAM MACE	18NOV09	
0 PLC ± - 1 PLC ± - 2 PLC ± .005 3 PLC ± - 4 PLC ± - ANGLES ± 0°30'		PRODUCT SPEC			
MATERIAL	TEMP 2 BRASS	FINISH	PRE-TIN	WEIGHT	-
CUSTOMER DRAWING		SCALE	6:1	SHEET	1 of 1
		SIZE	A2	CAGE CODE	00779
		DRAWING NO	C=505081		RESTRICTED TO
		REV	D1		