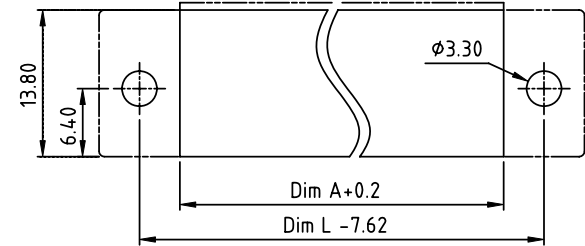
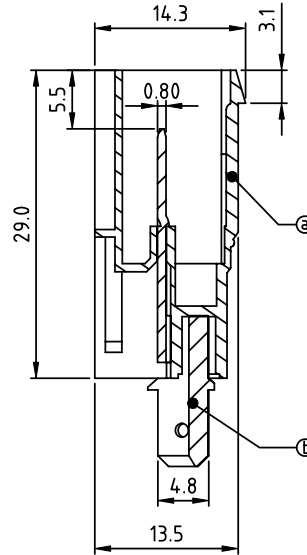
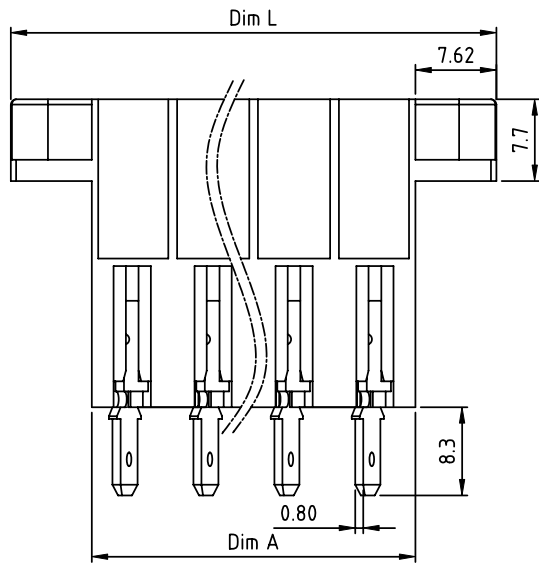
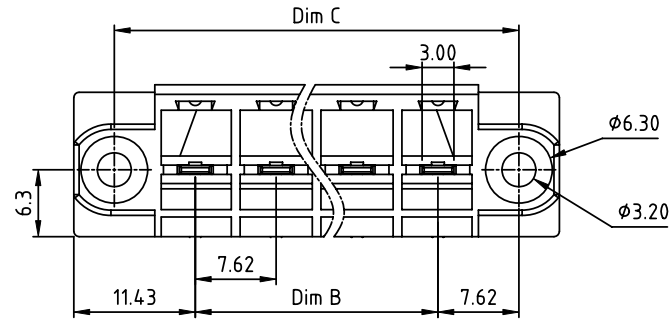


PRODUCT NUMBER	PITCH
VCxx02x100J0G	7.62mm



RECOMMENDED P.C.B LAYOUT
TOP VIEW

Material:

- Item ① Terminal(housing): Thermoplastic (UL94V-0)
- Item ② Male contact pin: Copper Tin plated

Electrical	cULus	TUV
● Voltage rating:	300V	800V
● Current rating:	20A/32A	32A
● Withstanding Voltage:	1.6KV	6KV
● Operating temperature:	-40°C to +115°C	
● Soldering temperature:	260°C± 5°C/5 Sec	
● Safety Approval:		

PART NO.: VC xx 02 x 1 00J0 G

N = Number of poles
 Dim L=(N+2)×7.62
 Dim A=N×7.62
 Dim B=(N-1)×7.62
 Dim C=(N+1)×7.62

Poles	Tolerance
2-6p	±0.15
7-12p	±0.20
13-16p	±0.30

Solid block	0	Black (RAL9005)	RoHS compliant (lead<4%)
No. of poles	2	Red (RAL3001/D)	In copper Alloy
02	2 poles	3	Orange(RAL2011/P)
03	3 poles	4	Yellow(RAL1018/A)
...	...	5	Green(RAL6018/T)
16	16 poles	6	Blue (RAL5015/A)
		8	Grey(RAL7035/D)
		9	White(RAL1102)
		C	Green(RAL6018/U)

mat'l. code		surface ASME Y14.5	tolerance ASME Y14.5	projection 	product family TERMINAL BLOCK
ltr	ecn no	dr	date		title TERMINAL BLOCK PLUGGABLE SOCKET FEED-THROUGH HEADER WITH SILP-ON CONNECTION
				angles 0°	scale MM
				tolerances unless otherwise specified X.±0.5 X.X±0.3 X'±1"	dwg no VCxx02x100J0G
		dr	EVIN ZHONG	042314	sheet 1 of 1 size A4
		enr	EVIN ZHONG	042314	type CUSTOMER Drawing
		chr	HANKE FENG	042314	
		appd	SHI JUN	042314	
sheet index	revision	A			
	sheet	1			