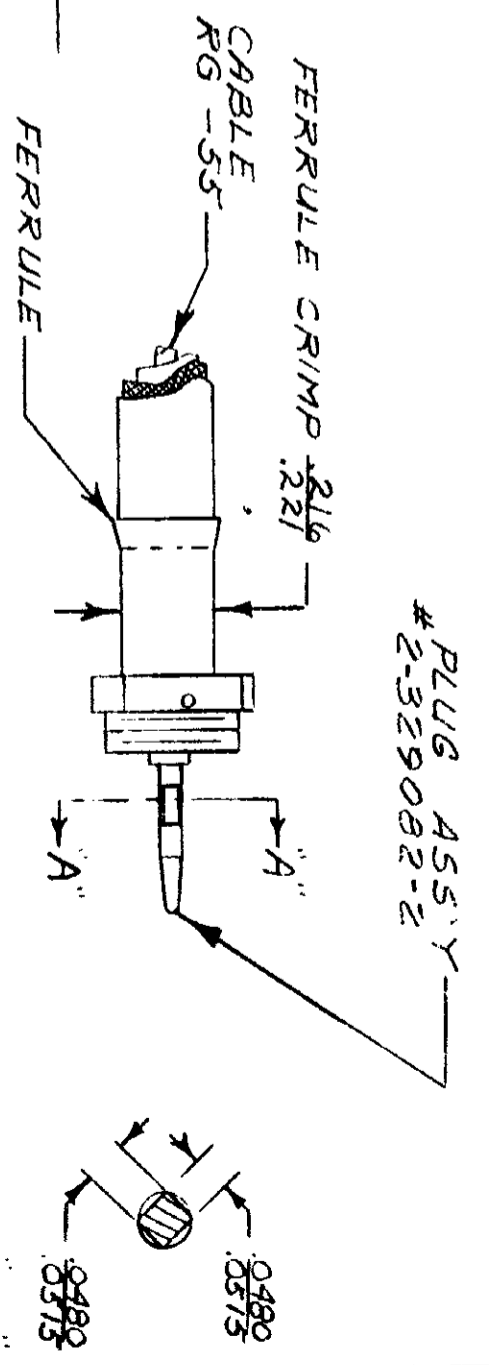
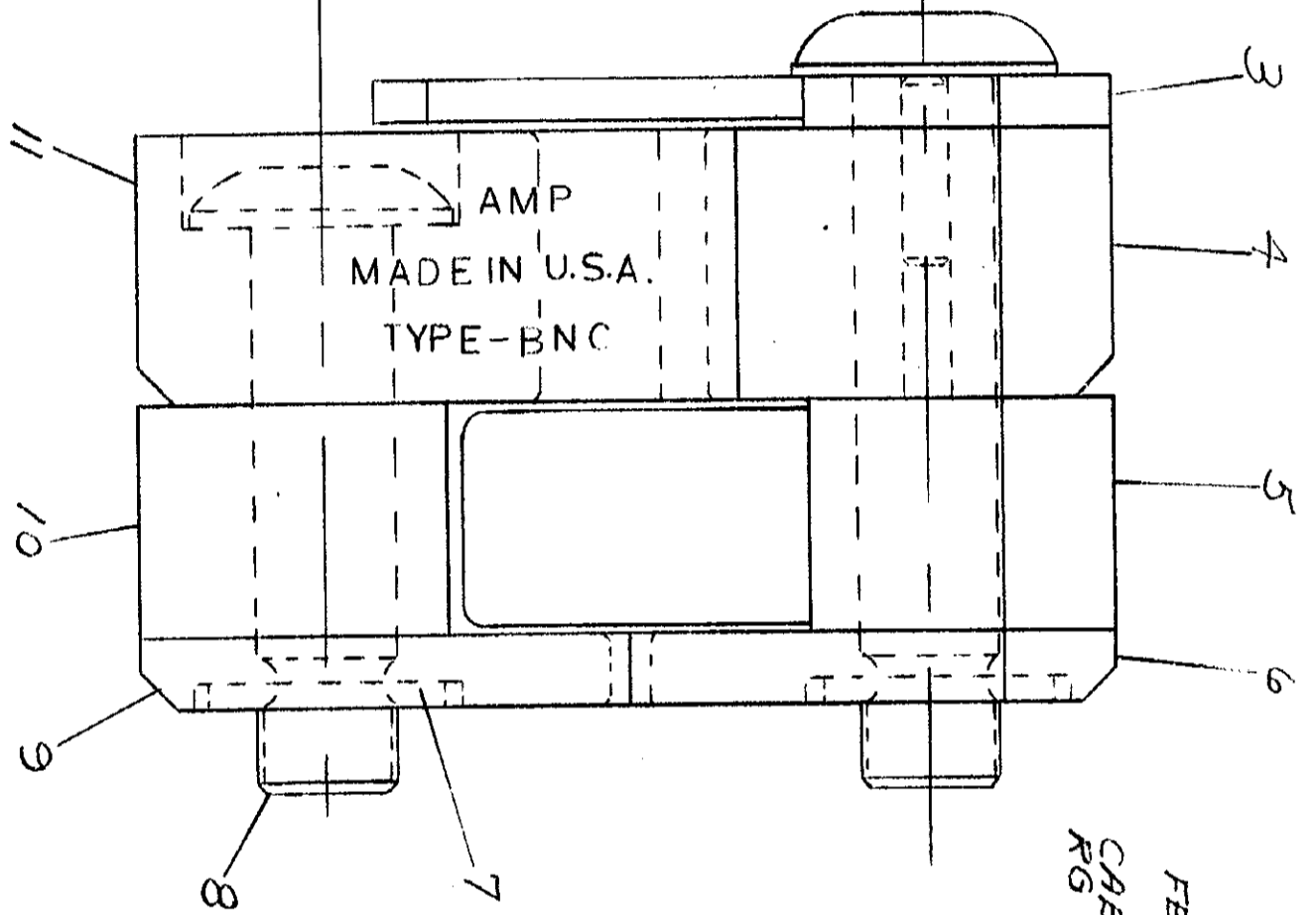
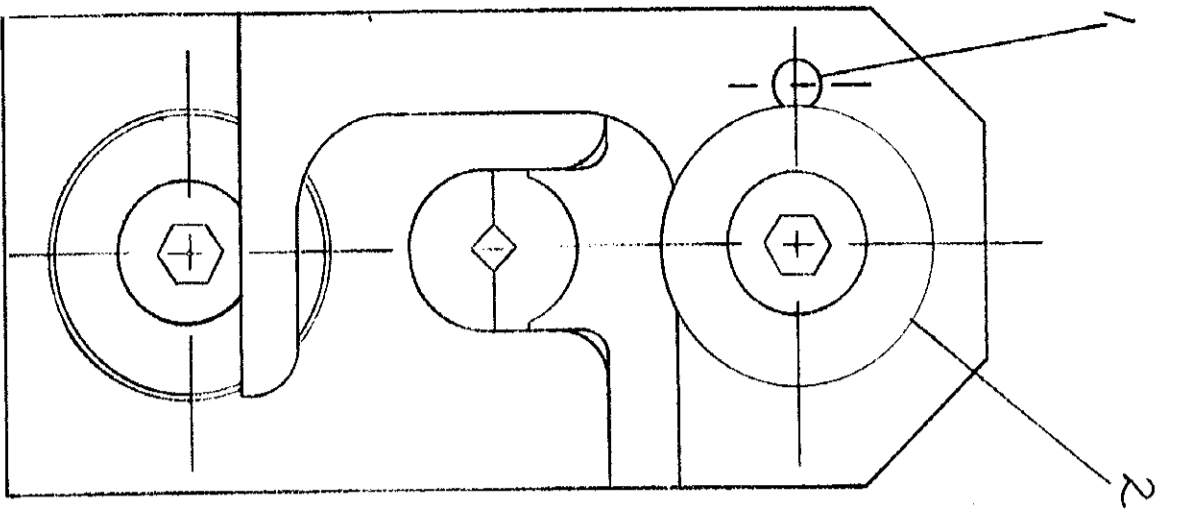


PRINT DIST B

DIMENSIONS IN INCHES. DO NOT SCALE PRINT.



THE CRIMP DIM'S. APPLY ONLY TO THE ABOVE COMBINATIONS.
METHOD OF GAGING CRIMP DIM'S.

SUPERSEDED BY 1.S. 2496

PLUG ASS'Y #2-329082-2

ITEM NO	QTY	DESCRIPTION	REMARKS
1	1	INDENTER - INSULATION	
2	1	SPACER	
3	1	INSERT-BARREL-LOWER	
4	1	SCREW-SPECIAL	
5	1	RETAINING RING	
6	1	INSERT-BARREL-UPPER	
7	1	SPACER-SPECIAL	
8	1	ANYIL-INSULATION	
9	1	EJECTOR	
10	1	SCREW-SPECIAL	
11	1	PIN	

REVISION RECORD	DR	CHK	DATE	DESCRIPTION	NUMBER
8	5/18	BY	11.5.2496		
A	REVISED	BS	8-79		69424

DR	CHK	DATE	DESCRIPTION	NUMBER
C. Mayer		10-16-63		69424

WIRE - RANGE - INSULATION	TYPE	LOC	NO	REV
RG-55	BNC-COAX	M	B	B

NAME	DATE	DESCRIPTION
DIE ASS'Y		

AMP AMP INCORPORATED HARRISBURG, PENNA.

CUSTOMER COPY REFERENCE ONLY