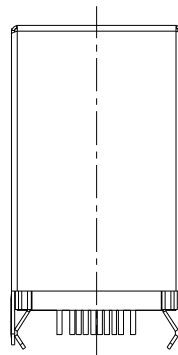
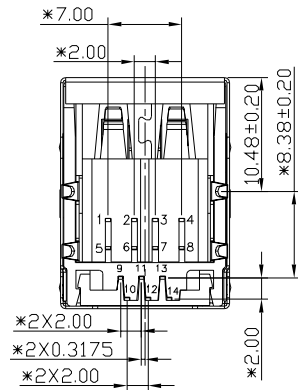
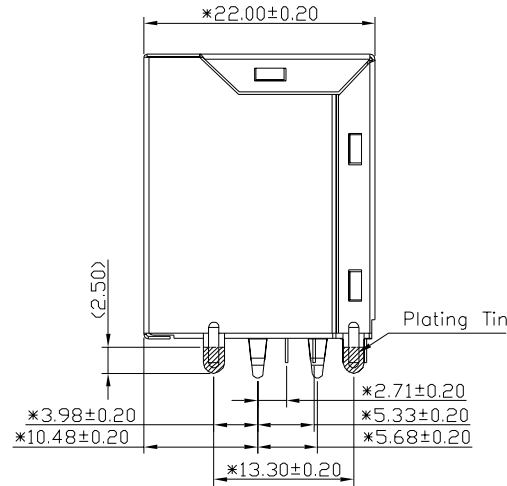
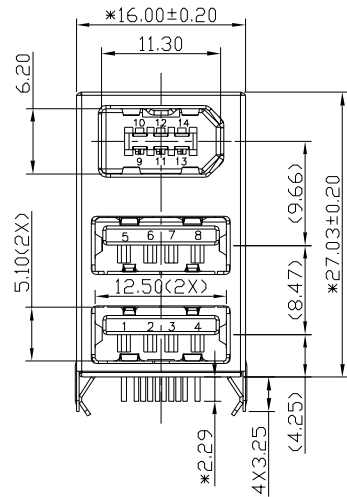


PC BOARD LAYOUT T=1.6mm
COMPONENT SIDE SHOWN TOLERANCE±0.05mm



BACK VIEW

NOTES

MATERIAL:

1. USB IS BASED ON USB STANDARD SPECIFICATIONS;
1394 IS BASED ON 1394 STANDARD SPECIFICATIONS.
2. HOUSING MATERIAL : GLASS FILLED NYLON UL94V-0
3. PLATE MATERIAL : GLASS FILLED NYLON UL94V-0
4. SHIELD MATERIAL : COPPER ALLOY(T=0.25) PLATING NIKEL.
5. CONTACT MATERIAL : USB USE STANDARD USB CONTACT.
1394 USE PHOSPHOR BRONZE ,PLATING NICKEL OVER ALL.
PLATING GOLD ON CONTACT AREA.

ELECTRICAL CHARACTERISTICS:

1. CONTACT CURRENT RATING:USB 1 AMPERE & 1394 1.5 AMPERE MAX.
2. CONTACT RESISTANCE :30 MILLIOHMS MAX.
3. DIELECTRIC WITHSTANDING VOLTAGE:USB 750VAC MIN.
1394 500VAC MIN.
4. INSULATION RESISTANCE : IEEE1394 100 MEGOHMS MIN
USB 1000 MEGOHMS MIN .

MECHANICAL CHARACTERISTICS:

1. OPERATING TEMPERATURE : -40°C TO +85°C.
2. Wave Soldering Temperature: 255~265°C (5~10 SECONDS)
3. CONNECTOR MATING FORCE: 4.0Kgf MAX.
4. CONNECTOR UNMATING FORCES: 1.0Kgf TO 4.0Kgf.
5. DURABILITY: 1500 CYCLES.
6. RoHS COMPLIANT.

PART NUMBER
E828B-221A14-L

DETACHED LISTS	MM (INCH)	RoHS Compliant		
	TOLERANCES EXCEPT AS NOTED			
	MM		TITLE	
	.0 ± 0.2		IEEE1394 OVER STACKED USB RECEPTACLE CONNECTOR	
	.00 ± 0.15		DF TO Cathy	DRAWING NO. CE823034-LA
	.000 ± 0.075		DATE 2006/09/14	/PART NO. SEE TABLE
	ANGLES ± 0.5		SCALE : 2:1	DO NOT SCALE DRAWING
				SHEET 1 OF 1
				SIZE REV
				A3 0