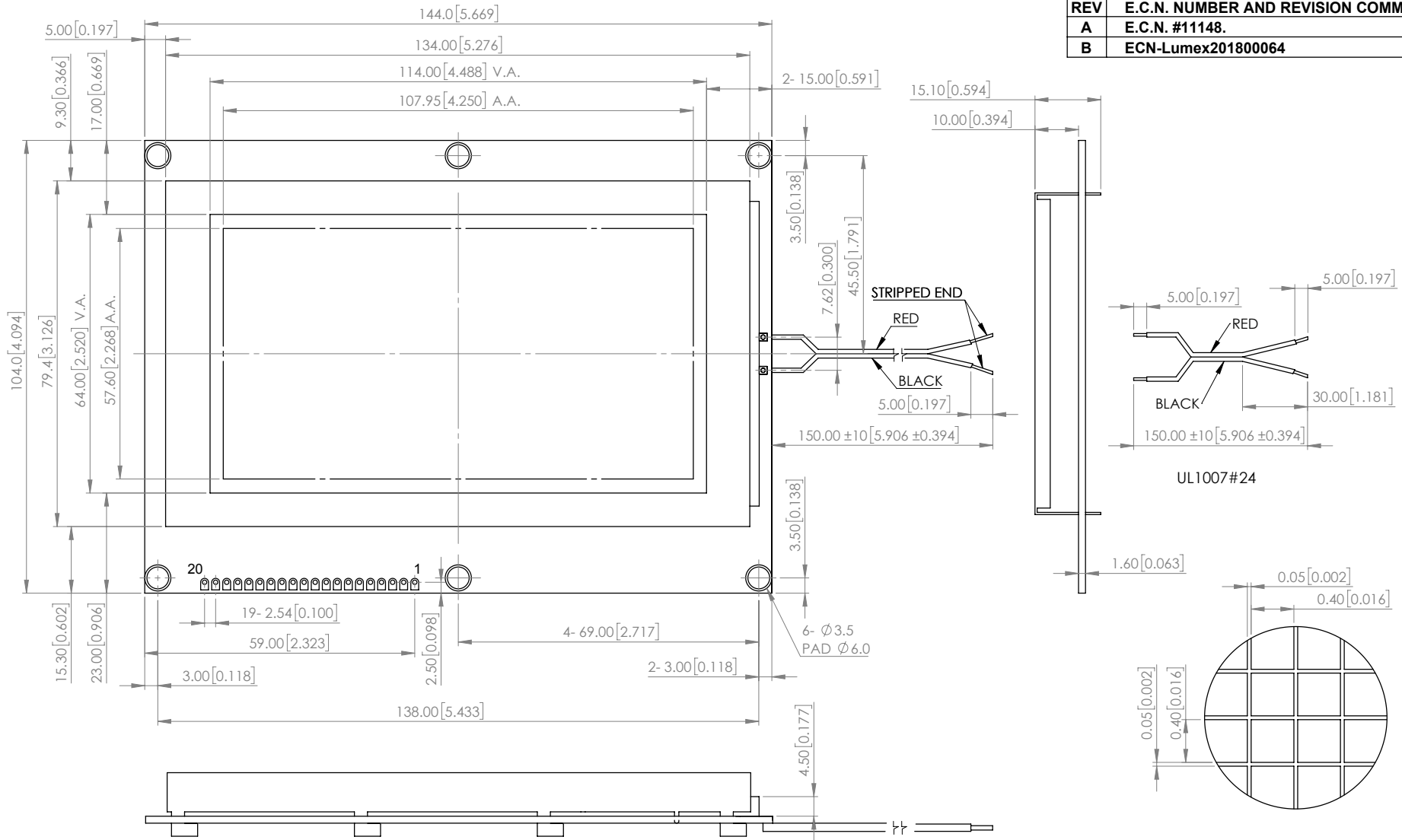


PART NUMBER	LCM-H240128GSN-1WC	REV	B
REV	E.C.N. NUMBER AND REVISION COMMENTS	DATE	
A	E.C.N. #11148.	04.30.18	
B	ECN-Lumex201800064	04.30.18	



PIN NO	SIGNAL
1	VSS
2	VDD
3	VO
4	C/D
5	/RD
6	/WR
7	DB0
8	DB1
9	DB2
10	DB3
11	DB4
12	DB5
13	DB6
14	DB7
15	/CE
16	/RST
17	VEE
18	MD
19	FS
20	NC

NOTE:
1. RoHS COMPLIANT.

*UNLESS OTHERWISE SPECIFIED TOLERANCES PER DECIMAL PRECISION ARE: X=±1 (±0.039), X.X=±0.5 (±0.020), X.XX=±0.25 (±0.010), X.XXX=±0.127 (±0.005). LEAD SIZE=±0.05 (±0.002), LEAD LENGTH=±0.75 (±0.030). MIN=^{+DECIMAL PRECISION}_{-0.00} MAX=^{+0.00}_{-DECIMAL PRECISION}



425 N. GARY AVE.
CAROL STREAM, IL 60188
PHONE : 800-278-5666
FAX : 630-315-2150
WEB : WWW.LUMEX.COM

144.0(W)×104.0(H)×15.1(D)mm, 240x128 DOT MATRIX GRAPHIC LCD MODULE, STN GRAY, NEGATIVE, 1/128 DUTY, LED BACKLIGHT.
THE SPECIFICATIONS MAY CHANGE AT ANY TIME WITHOUT NOTICE DUE TO NEW MATERIALS OR PRODUCT IMPROVEMENT.
CONFIDENTIAL INFORMATION
THE INFORMATION CONTAINED IN THIS DOCUMENT IS THE PROPERTY OF LUMEX INC. EXCEPT AS SPECIFICALLY AUTHORIZED IN WRITING BY LUMEX INC., THE HOLDER OF THIS DOCUMENT SHALL KEEP ALL INFORMATION CONTAINED HEREIN CONFIDENTIAL AND SHALL PROTECT SAME IN WHOLE OR IN PART FROM DISCLOSURE AND DISSEMINATION TO ALL THIRD PARTIES.

DATE : 2018.04.30	DRAWN BY : C.C.
PAGE : 1 OF 4	CHKD BY : E.C.
SCALE : NTF	APRVD BY : G.Y.
UNIT : mm [INCH]	☞

GENERAL SPECIFICATION

ITEM	DESCRIPTION
LCD TYPE	STN, NEGATIVE
REAR POLARIZER	TRANSMISSIVE
BACKLIGHT TYPE	LED
BACKLIGHT COLOR	WHITE
TEMPERATURE RANGE	WIDE TEMP., 5V
VIEWING DIRECTION	12 O'CLOCK
VIEWING AREA	114.0 (W)mm x 64.0 (H)mm
MODULE SIZE	144.0 (W)mm x 104.0 (H)mm x 15.1 MAX(D)mm
PIXELS SIZE	0.40 x 0.40
PIXELS PITCH	0.45 x 0.45
DISPLAY FORMAT	240(W) x 128(H)
DUTY RATIO	1 / 128 DUTY

ABSOLUTE MAXIMUM RATING

(1) Electrical Absolute Ratings

ITEM	SYMBOL	MIN.	MAX.	UNIT
POWER SUPPLY FOR LOGIC	V _{DD} -V _{SS}	0	5.5	VOLT
POWER SUPPLY FOR LCD	V _{DD} -V _{EE}	0	22	VOLT
INPUT VOLTAGE	V _I	V _{SS}	V _{DD}	VOLT
LED POWER DISSIPATION	P _{AD}	-	720	mW
LED FORWARD CURRENT	I _{AF}	-	200	mA
LED REVERSE VOLTAGE	V _R	-	5	V

(2) Environmental Absolute Maximum Ratings

ITEM	WIDE TEMPERATURE			
	OPERATING		STORAGE	
	MIN.	MAX.	MIN.	MAX.
AMBIENT TEMPERATURE	-10 °C	+60 °C	-20 °C	+70 °C
HUMIDITY (WITHOUT CONDENSATION)	NOTE 1, 2		NOTE 1, 3	

Note 1: Background color changes slightly depending on ambient temperature.

This phenomenon is reversible.

Note 2: Ta ≤ 70°C: 75RH max

Ta > 70°C: absolute humidity must be lower than the humidity of 75%RH at 70°C

Note 3: Ta at -30°C will be <48hrs, at 80 °C will be <120hrs when humidity is higher than 75%.

*UNLESS OTHERWISE SPECIFIED TOLERANCES PER DECIMAL PRECISION ARE: X=±1 (±0.039), X.X=±0.5 (±0.020), X.XX=±0.25 (±0.010), X.XXX=±0.127 (±0.005). LEAD SIZE=±0.05 (±0.002), LEAD LENGTH=±0.75 (±0.030). MIN= ^{+0.00} -0.00 DECIMAL PRECISION MAX.= ^{+0.00} -DECIMAL PRECISION



425 N. GARY AVE.
CAROL STREAM, IL 60188
PHONE : 800-278-5666
FAX : 630-315-2150
WEB : WWW.LUMEX.COM

144.0(W)×104.0(H)×15.1(D)mm, 240x128 DOT MATRIX GRAPHIC LCD MODULE, STN GRAY, NEGATIVE, 1/128 DUTY, LED BACKLIGHT.

****THE SPECIFICATIONS MAY CHANGE AT ANY TIME WITHOUT NOTICE DUE TO NEW MATERIALS OR PRODUCT IMPROVEMENT.****

CONFIDENTIAL INFORMATION
THE INFORMATION CONTAINED IN THIS DOCUMENT IS THE PROPERTY OF LUMEX INC. EXCEPT AS SPECIFICALLY AUTHORIZED IN WRITING BY LUMEX INC., THE HOLDER OF THIS DOCUMENT SHALL KEEP ALL INFORMATION CONTAINED HEREIN CONFIDENTIAL AND SHALL PROTECT SAME IN WHOLE OR IN PART FROM DISCLOSURE AND DISSEMINATION TO ALL THIRD PARTIES.

DATE : 2018.04.30	DRAWN BY : C.C.
PAGE : 2 OF 4	CHKD BY : E.C.
SCALE : NTF	APRVD BY : G.Y.
UNIT : mm [INCH]	Ⓢ


ELECTRICAL CHARACTERISTICS

ITEM	SYMBOL	CONDITION	MIN.	TYP.	MAX.	UNIT
POWER SUPPLY FOR LOGIC	VDD-VSS	-	4.5	5.0	5.5	VOLT
POWER SUPPLY FOR LCD	VEE-VSS	-	-14.2	-15.0	-15.9	VOLT
INPUT VOLTAGE	VIL	L LEVEL	0	-	0.8	VOLT
	VIH	H LEVEL	-2.2 VDD	-	VDD	VOLT
	VDD-VO	Ta=25°C	16.9	18.0	19.2	VOLT
POWER SUPPLY CURRENT FOR LCM	IDD	VDD=5.0V VDD-VO=18.0V	-	17.5	23.0	mA
	IOUT		-	5.0	-	
THE BRIGHTNESS OF BACKLIGHT	L	If=160mA	160	200	-	cd/m ²
PEAK EMISSION WAVELENGTH	λP	If=160mA	X=0.24 Y=0.22	X=0.28 Y=0.25	X=0.30 Y=0.29	nm
LED FORWARD VOLTAGE	VF	If=160mA	-	3.2	3.4	VOLT

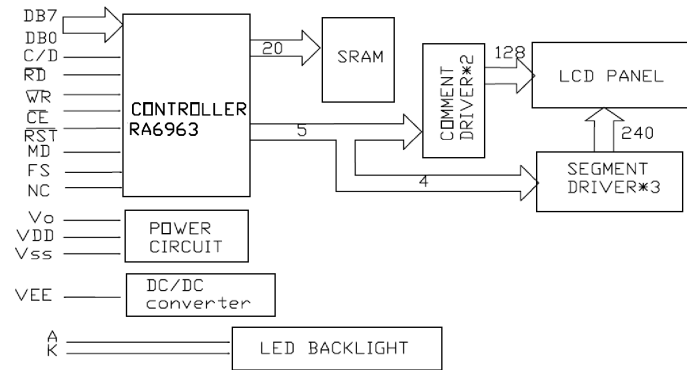
ELECTRICAL CHARACTERISTICS

PIN NO.	PIN OUT	FUNCTION DESCRIPTION
1	VSS	Power Supply Ground
2	VDD	Power Supply Voltage
3	Vo	Contrast Adjustment Voltage
4	C/D	WR='L', C/D='H': Command Write WR='L', C/D='L': Data Write RD='L', C/D='H': Status Read RD='L', C/D='L': Data Read
5	/RD	Data Read
6	/WR	Data Write
7	DB0	Data Bit 0
8	DB1	Data Bit 1
9	DB2	Data Bit 2
10	DB3	Data Bit 3
11	DB4	Data Bit 4
12	DB5	Data Bit 5
13	DB6	Data Bit 6
14	DB7	Data Bit 7
15	/CE	Enable Signal
16	/RST	Reset Signal
17	VEE	No Connection
18	MD	H : 32/L : 40 Select of Columns
19	FS	H : 6*8/L : 8*8 Select of Font
20	NC	No Connection

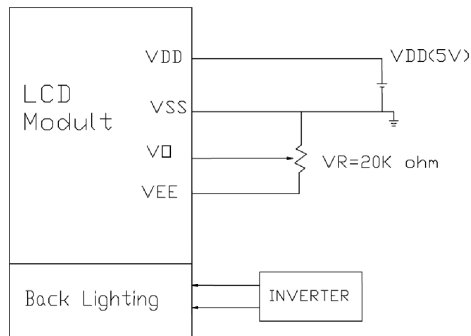
*UNLESS OTHERWISE SPECIFIED TOLERANCES PER DECIMAL PRECISION ARE: X=±1 (±0.039), X.X=±0.5 (±0.020), X.XX=±0.25 (±0.010), X.XXX=±0.127 (±0.005). LEAD SIZE=±0.05 (±0.002), LEAD LENGTH=±0.75 (±0.030). MIN=^{+DECIMAL PRECISION}_{-0.00} MAX.=^{+0.00}_{-DECIMAL PRECISION}

 <p>425 N. GARY AVE. CAROL STREAM, IL 60188 PHONE : 800-278-5666 FAX : 630-315-2150 WEB : WWW.LUMEX.COM</p>	144.0(W)×104.0(H)×15.1(D)mm, 240x128 DOT MATRIX GRAPHIC LCD MODULE, STN GRAY, NEGATIVE, 1/128 DUTY, LED BACKLIGHT.	DATE : 2018.04.30	DRAWN BY : C.C.	
	THE SPECIFICATIONS MAY CHANGE AT ANY TIME WITHOUT NOTICE DUE TO NEW MATERIALS OR PRODUCT IMPROVEMENT.	PAGE : 3 OF 4	CHKD BY : E.C.	
	CONFIDENTIAL INFORMATION THE INFORMATION CONTAINED IN THIS DOCUMENT IS THE PROPERTY OF LUMEX INC. EXCEPT AS SPECIFICALLY AUTHORIZED IN WRITING BY LUMEX INC., THE HOLDER OF THIS DOCUMENT SHALL KEEP ALL INFORMATION CONTAINED HEREIN CONFIDENTIAL AND SHALL PROTECT SAME IN WHOLE OR IN PART FROM DISCLOSURE AND DISSEMINATION TO ALL THIRD PARTIES.	SCALE : NTF	APRVD BY : G.Y.	
		UNIT : mm [INCH]		

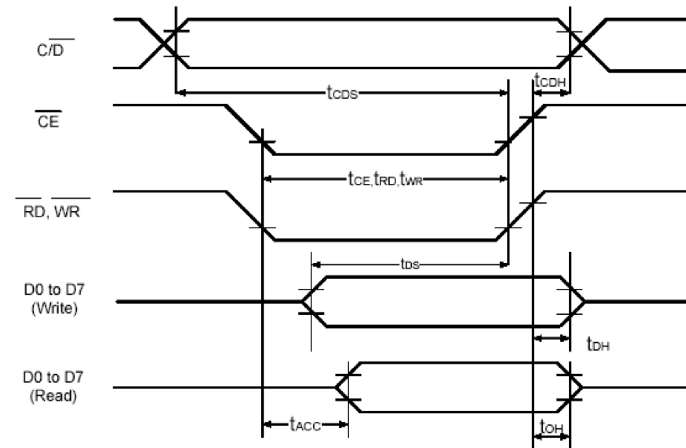
BLOCK DIAGRAM



POWER SUPPLY



TIMING CHARACTERISTIC



ITEM	SYMBOL	TEST CONDITIONS	MIN	MAX	UNIT
C/D Set Up Time	t_{CDS}	--	100	--	ns
C/D Hold Time	t_{CDH}	--	10	--	ns
/CE, /RD, /WR Pulse Width	t_{CE}, t_{RD}, t_{WR}	--	80	--	ns
Data Set Up Time	t_{DS}	--	80	--	ns
Data Hold Time	t_{DH}	--	40	--	ns
Access Time	t_{ACC}	--	--	150	ns
Output Hold Time	t_{OH}	--	10	50	ns

*VDD=+5V±5%, GND=0V, Ta=-20~70 degree

*UNLESS OTHERWISE SPECIFIED TOLERANCES PER DECIMAL PRECISION ARE: X=±1 (±0.039), X.X=±0.5 (±0.020), X.XX=±0.25 (±0.010), X.XXX=±0.127 (±0.005). LEAD SIZE=±0.05 (±0.002), LEAD LENGTH=±0.75 (±0.030). MIN= ^{+DECIMAL PRECISION} -0.00, MAX= ^{-DECIMAL PRECISION}



425 N. GARY AVE.
CAROL STREAM, IL 60188
PHONE : 800-278-5666
FAX : 630-315-2150
WEB : WWW.LUMEX.COM

144.0(W)×104.0(H)×15.1(D)mm, 240x128 DOT MATRIX GRAPHIC LCD MODULE, STN GRAY, NEGATIVE, 1/128 DUTY, LED BACKLIGHT.

THE SPECIFICATIONS MAY CHANGE AT ANY TIME WITHOUT NOTICE DUE TO NEW MATERIALS OR PRODUCT IMPROVEMENT.

CONFIDENTIAL INFORMATION
THE INFORMATION CONTAINED IN THIS DOCUMENT IS THE PROPERTY OF LUMEX INC. EXCEPT AS SPECIFICALLY AUTHORIZED IN WRITING BY LUMEX INC., THE HOLDER OF THIS DOCUMENT SHALL KEEP ALL INFORMATION CONTAINED HEREIN CONFIDENTIAL AND SHALL PROTECT SAME IN WHOLE OR IN PART FROM DISCLOSURE AND DISSEMINATION TO ALL THIRD PARTIES.

DATE : 2018.04.30 DRAWN BY : C.C.
PAGE : 4 OF 4 CHKD BY : E.C.
SCALE : NTF APRVD BY : G.Y.
UNIT : mm [INCH]