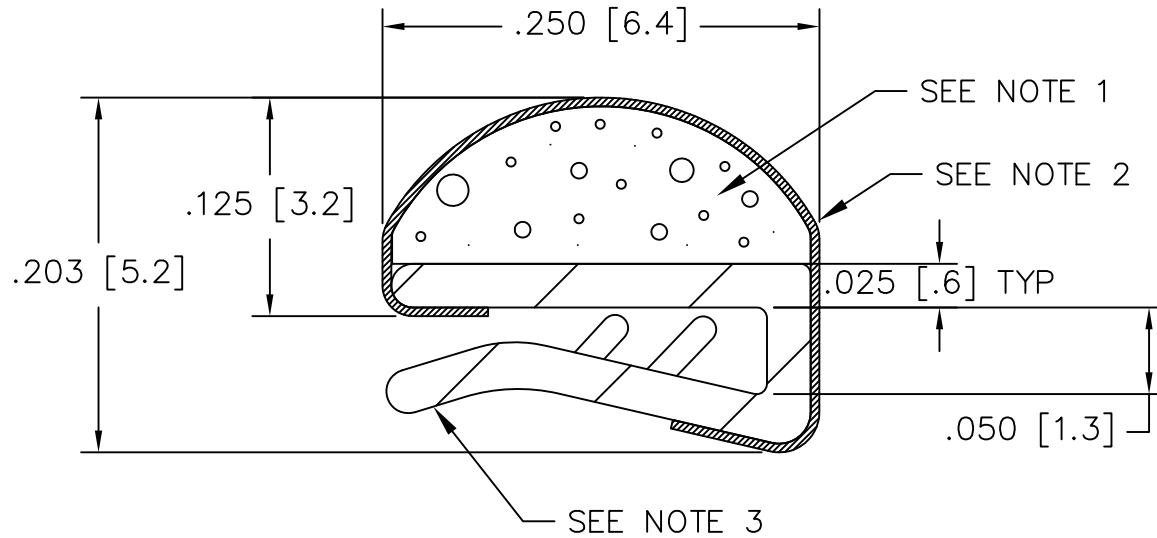


CONFIDENTIAL & PROPRIETARY

THIS INFORMATION IS CONFIDENTIAL AND PROPRIETARY TO LAIRD TECHNOLOGIES. IT MAY NOT BE DISCLOSED TO ANYONE, OTHER THAN LAIRD TECHNOLOGIES PERSONNEL, WITHOUT WRITTEN AUTHORIZATION FROM LAIRD TECHNOLOGIES.



NOTES:

1. FOAM: POLYURETHANE
2. FABRIC: NICKEL PET-TAF FR ECOGREEN
3. TAPE: NO TAPE
4. LINER: NO EXTENDED RELEASE LINER
5. FABRIC SEAM LOCATION MAY VARY.
6. CARRIER: PVC CARRIER
7. A .028" FEELER GAGE SHOULD SLIDE FREELY INTO THE CLIP OPENING, A .039" FEELER GAGE SHOULD FIT TIGHTLY WHEN FULLY INSERTED INTO THE CLIP.
8. THIS PART IS RoHS COMPLIANT AND MEETS THE REQUIREMENTS OF LT-GES-001

REVISIONS:	TITLE:		DRAWN	DATE	SCALE:	DIMENSIONS ARE IN INCHES. UNLESS OTHERWISE SPECIFIED, TOLERANCES ARE AS FOLLOWS:  DECIMALS                  LENGTH .XX ± .03                  0" - 6"                  ± .030" .XXX ± .020               6" - 11"               ± .050" 11" - 48"               ± .100" ANGLES                    48" - 70"               ± .187" ± 1/2"                    70" - 144"               ± .250"
	SHIELDING GASKET		P.HUANG	11/9-09	1/1	
	Dwg. or Part No.		CHECKED BY:	DATE		
	4110-HA-51H		FJG	3/11/13		
	REV.	RELEASED BY:	DATE			
	0	FJG	3/11/13			

