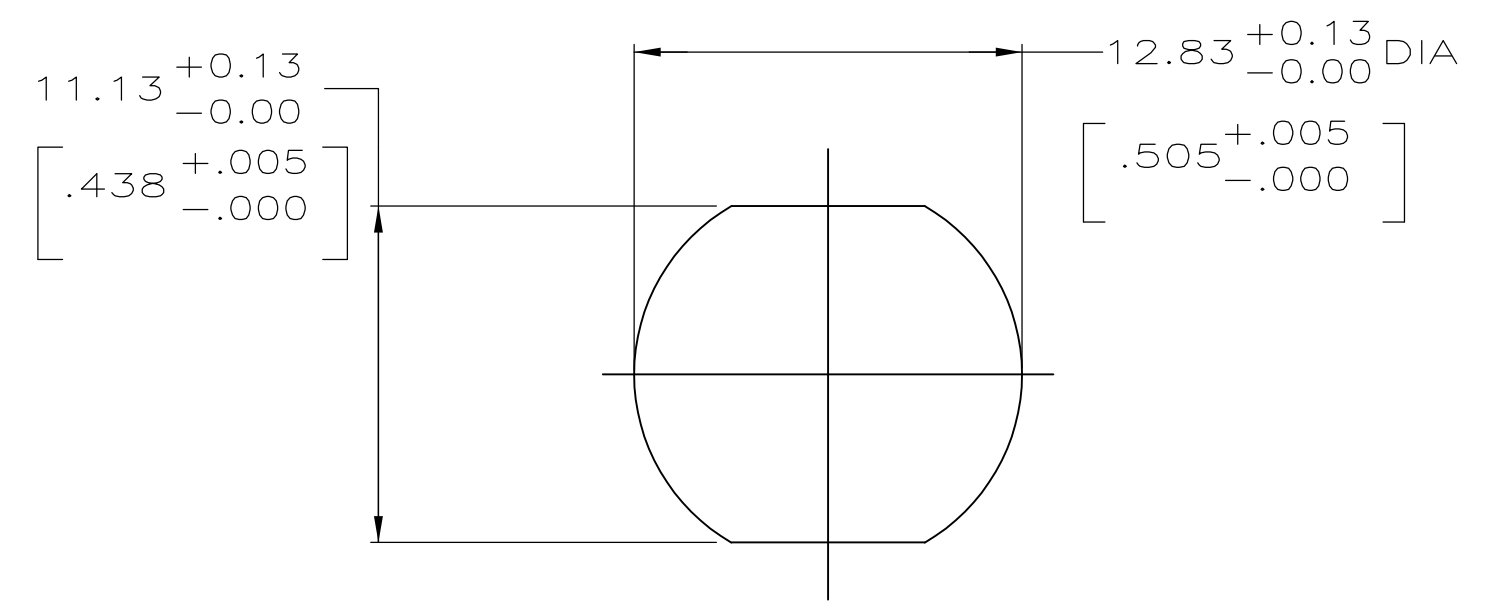
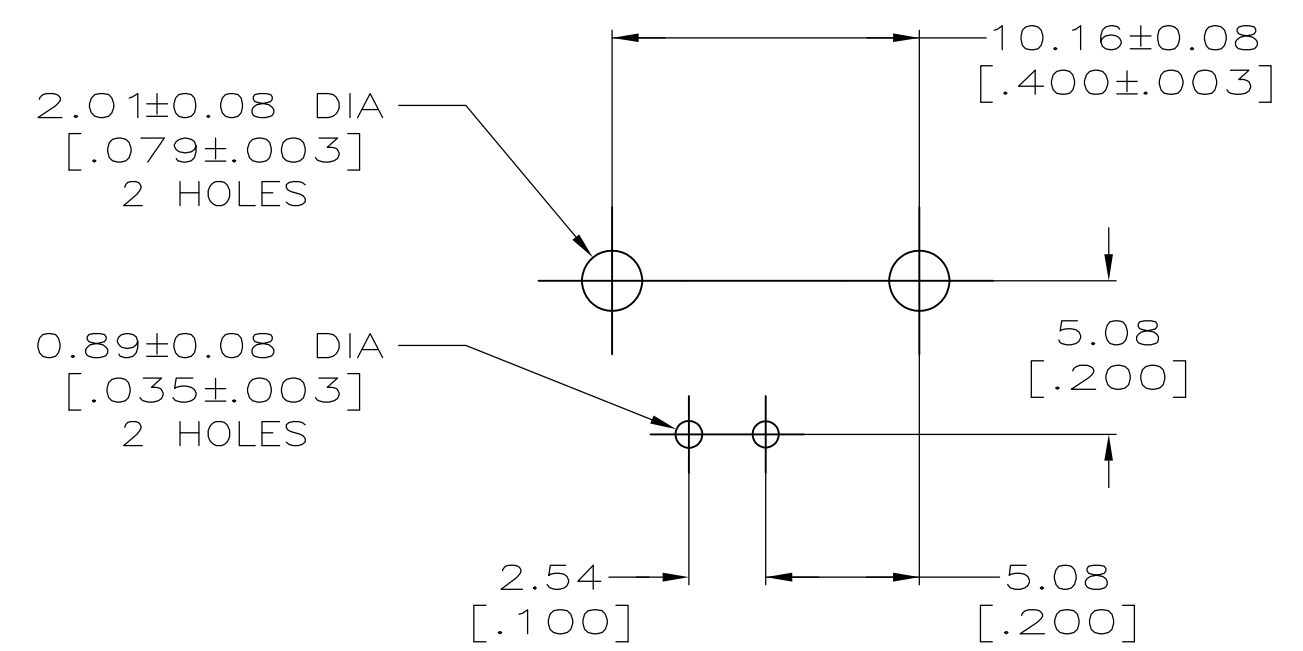


- 1 POLYESTER PBT PER MIL-M-24519, TYPE GPT-15F, UL94V-0 RATED, COLOR:BLACK
- 2 POLYMETHYLPENTENE, GENERAL PURPOSE.
- 3 ZINC PER QQ-Z-363.
- 4 PHOSPHOR BRONZE PER QQ-B-750.
- 5 BRASS PER ASTM-B-453.
- 6 BRASS PER ASTM-B-16.
- 7 NICKEL PLATE PER QQ-N-290, 3.81 μm [.000150] MINIMUM THICK.
- 8 TIN PLATE PER ASTM-B-545, 3.81 μm [.000150] MINIMUM THICK.
- 9 GOLD PLATE PER ASTM-B-488, 0.08 μm [.000003] MINIMUM THICK.
- 10. SEE INSTRUCTION SHEET 408-2769.



RECOMMENDED PANEL CUTOUT  
 SCALE 4:1



PCB CONFIGURATION  
 SCALE 4:1

5415046-1  
 PART NUMBER

|  |  |   |  |   |  |
|--|--|---|--|---|--|
| THIS DRAWING IS A CONTROLLED DOCUMENT. |  | DIN JALCORTA - 27APR2005<br>CIR DOCKS - 27APR2005 |  | Tyco Electronics Corporation<br>Harrisburg, PA 17105-3608 |  |
| DIMENSIONS: mm [INCHES]                |  | TOLERANCES UNLESS OTHERWISE SPECIFIED:            |  | Tyco Electronics  |  |
| 0 PLC ± -                              |  | 1 PLC ± -   |  | NAME J. LIPPERT   |  |
| 1 PLC ± -                              |  | 2 PLC ± 0.05 [.002]                               |  | PRODUCT SPEC 108-1575                                     |  |
| 2 PLC ± -                              |  | 3 PLC ± -   |  | APPLICATION SPEC  |  |
| 3 PLC ± -                              |  | 4 PLC ± -   |  | SIZE CAGE CODE DRAWING NO                                 |  |
| 4 PLC ± -                              |  | ANGLES ± -  |  | A1 00779 C=5415046  |  |
| MATERIAL SEE NOTES 1 - 6               |  | FINISH SEE NOTES 7 - 9                            |  | WEIGHT  |  |
|  |  |   |  | CUSTOMER DRAWING  |  |
|  |  |   |  | SCALE 6:1 SHEET 1 OF 1 REV B                              |  |