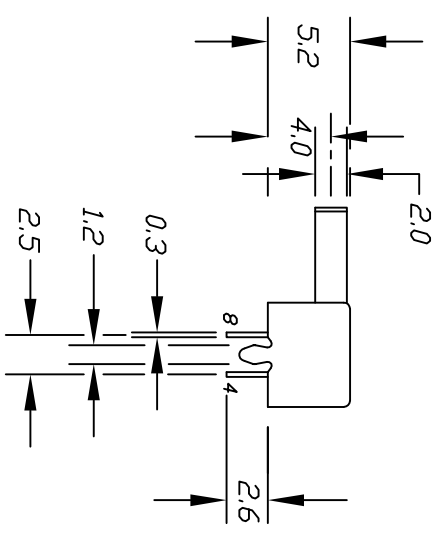
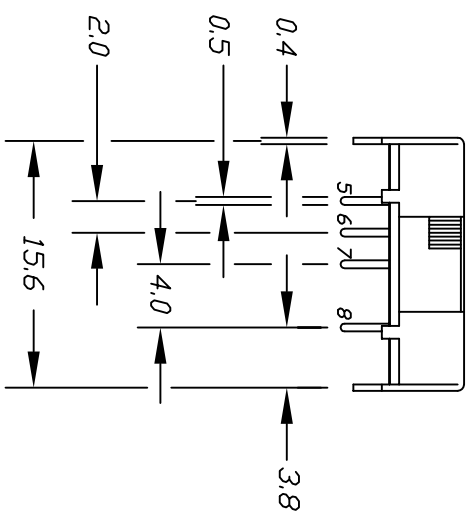
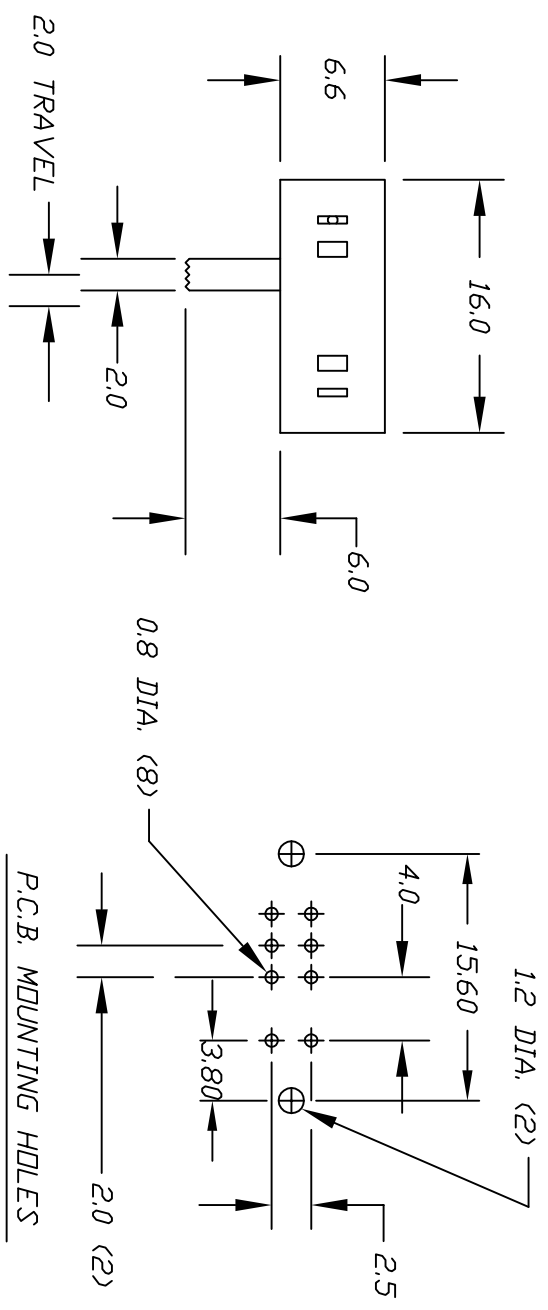


CONTACT CONFIGURATION

SWITCH FUNCTION		
PDS. 1	PDS. 2	PDS. 3
1-3	2-3	3-4
5-7	6-7	7-8

- NOTES:
- GENERAL TOLERANCE: X.X=±0.4
X.XX=±0.25
 - TERM. NOS. FOR REF ONLY
 - RATING: DC 12V, 0.1A
 - TRAVEL: 2 + 2 mm
 - OPERATING FORCE:
L>C<R= 200±100gf
L<C>R= 250±100gf
 - TIMING: NON-SPECIFIED
 - 2002/95/EC (ROHS) COMPLIANT



B	18381	ADD TIMING NOTE	1/20/09	BLR
A	--	RELEASED FOR PRODUCTION	--	--
REV.	PCR No.	DESCRIPTION	DATE	CHKD

TITLE		DATE		DR	DWG	REV
EG23254		1/20/09		BLR	P040271	B
SCALE	2:1					



THE INFORMATION CONTAINED IN THIS DOCUMENT IS PROPRIETARY TO E-SWITCH AND IS NOT TO BE COPIED OR TRANSFERRED