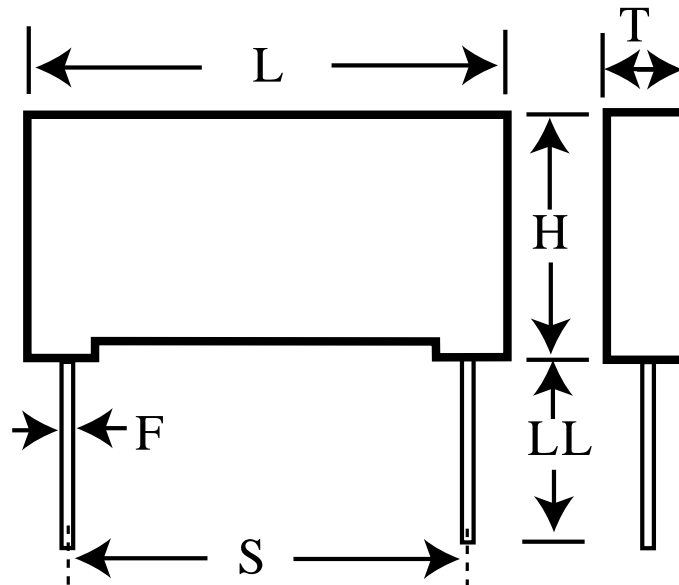


R49AN368000B1M

aka 49AN368000B1M

Capacitor, film, 0.68 uF, +/-20% Tol, -40/+110C, Safety: X1, 330VAC,
Lead Spacing=22.5 mm



Dimensions (mm)

Specifications

ID	Dimension	Tolerance	Manufacturer:	KEMET
L	26.5	+0.3	Brand:	Arcotronics
H	22	+0.1	Capacitance:	0.68 uF
T	13	+0.2	Temperature Range:	-40/+110C
S	22.5	+/-0.4	Rated Temperature:	110C
LL	4	+2	Voltage @ rated temp:	800V
F	0.8	+/-0.05	Voltage AC:	330VAC
			Tolerance:	+/-20%
			Body Type:	Radial Box
			Construction:	Wound
			Application:	Safety: X1
			Dissipation Factor @ 1 kHz:	0.1%
			Insulation Resistance:	44.12 GOhm
			Maximum dVdT:	400v/us
			UL_1414:	250V
			UL_1283:	310V
			IEC_60384-14:	330V
			C_22.2_NO.1:	250V
			Package Kind:	Bulk
			Package Type:	Bag
			Package Quantity:	300