



REG

[About Nuvoton](#)[Products & Sales](#)[News & Events](#)[Investor](#)

## ISD1900 Series ChipCorder

Nuvoton's ISD1900 ChipCorder is the newest single-chip multiple-message record/playback series with dual operating modes (address trigger and direct trigger) and wider operating voltage ranging from 2.4V to 5.5V. The sampling frequency can be selected from 4 to 12 kHz via an external resistor, which also determines the duration from 10.6 to 32 seconds. These ICs are designed mostly for standalone applications, and of course, it can be used in conjunction with a microcontroller, if necessary.

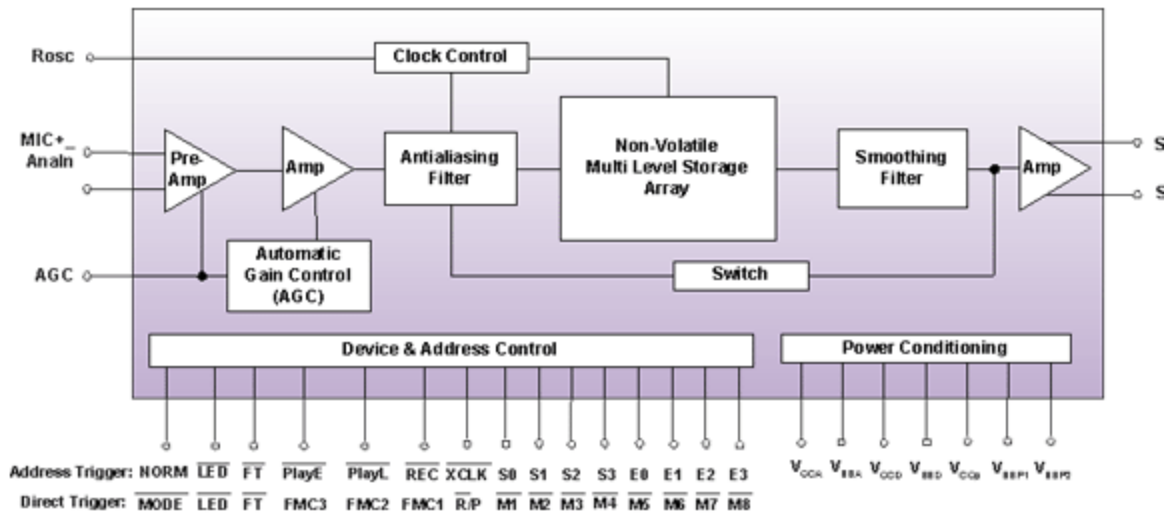
The two operating modes are address trigger and direct trigger. While in address trigger mode, both record and playback operations are manipulated according to the start address and end address specified through the start address and end address pins. However, in direct trigger mode, the device can configure the memory up to as many as eight equal messages, pending upon the fixed message configuration settings. With the record or playback feature being pre-selected, each message can be randomly accessed via its message control pin.

The device has a selectable differential microphone input with AGC feature or single-ended analog input, AnIn, under feed-through mode. Its differential Class D PWM speaker driver can directly drive a typical speaker or buzzer.

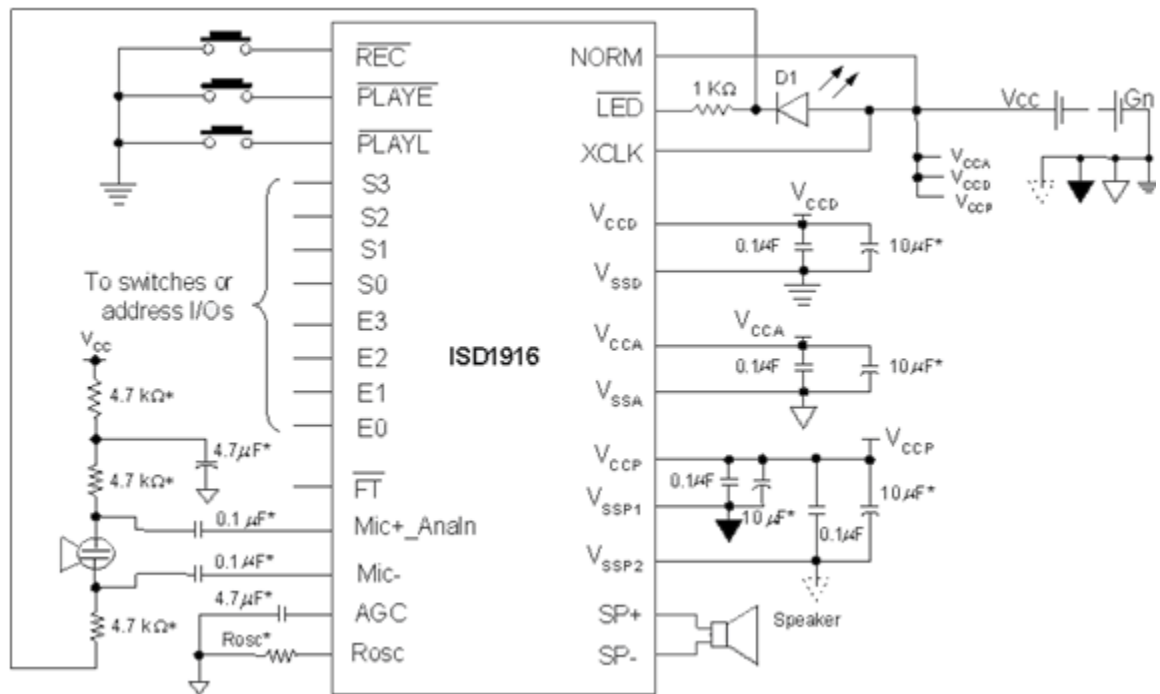
[Block Diagram](#)

### Related li

[Block Diagram](#)  
[Application Dia](#)  
[Product Selecti](#)  
[Datasheet](#)  
[How to Buy](#)



Application Diagram



Features

- Wider operating voltage from 2.4 to 5.5V
- Higher sampling frequency from 4kHz to 12kHz
- FT**: converts MIC+ to ANAIN & feeds it to the speakers
- R/P**: record/playback switch
- REC**: level or edge recording
- PLAYE**: edge-trigger, toggle on/off
- PLAYL**: level playback or looping playback
- LED**: LED output for recording
- NORM** (Address Trigger): variable message duration

**MODE:** (Direct Trigger): fixed message duration

Product Selection Guide

<b>Part Number</b>	<b>Duration</b>	<b>Sample Rate</b>	<b>Package</b>	<b>Eval Sy</b>
<b>ISD1916</b>	10.6 - 32 sec.	4.0 / 5.3 / 6.4 / 8.0 / 12.0	SOIC	ISD-
<b>ISD1932</b>	21.2 - 64 sec.	4.0 / 5.3 / 6.4 / 8.0 / 12.0	SOIC	ISD-
<b>ISD1964</b>	42.4 - 128 sec.	4.0 / 5.3 / 6.4 / 8.0 / 12.0	SOIC	ISD-

[Legal Terms and Conditions](#) | [Privacy Statement](#) | [Contact Us](#)  
©2008 Nuvoton Technology Corporation America - All Rights Reserved